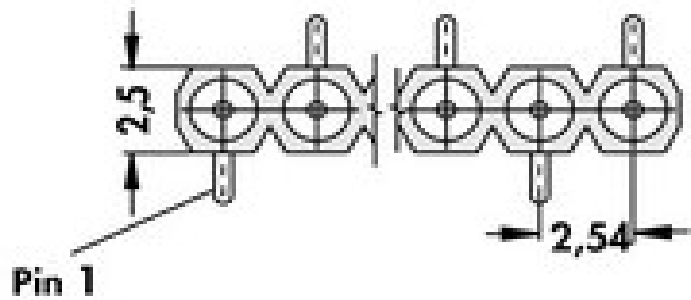
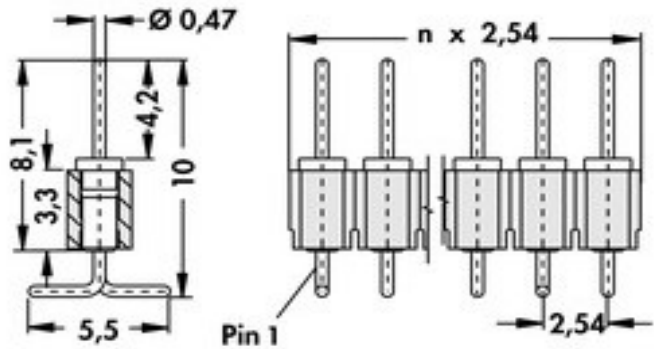


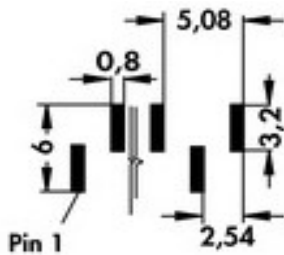
### Technical Specification

Insulator:	Black glass filled polyester PPS-GF-30-FR
Flammability:	UL 94V-0
Sleeve:	Brass CuZn 36Pb3 (36000)
Mating Pin: ( Ø )	0,47mm
Mechanical Life:	min 500 cycles
Rated Current:	3A
Contact Resistance:	max. 10m Ohm
Dielectric Strength:	min 1000V rms
Minimal position of deliver:	3
Maximal position of deliver:	40
Coplanarity SMD terminations	max. 0,1mm (measured on 25mm long connectors)

### Technical Drawing



### PCB-Layout



### Ordering Information

Serie	No. of Pos.	Solder Pin Plating	Special function	ROHS	Packing	
-------	-------------	--------------------	------------------	------	---------	--

<b>T40232</b>	-	<b>40</b>	<b>A</b>	<b>N</b>	<b>R</b>	<b>BU</b>
---------------	---	-----------	----------	----------	----------	-----------

<b>03 ~ 40</b>	<b>A= Tin 150µ"</b> (Standard)	<b>N= No function</b>	<b>R= ROHS conform</b>	<b>BU= Bulk Ware</b>	<b>TC = Tube packing w. Pic and Place Cap</b>
	<b>B= Tin 200µ"</b>				
	<b>C= GF</b>				
	<b>D= Gold 2µ"</b>				
	<b>E= Gold 3µ"</b>				
	<b>F= Gold 10µ"</b>				
	<b>G= Gold 15µ"</b>				
	<b>H=Special</b>				

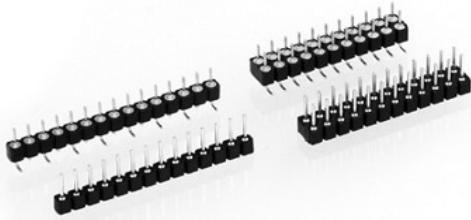
**Machined Contact Pitch  
2,54mm**

Part No.: **T40232**

Customer:

DRW:	Jason	CHKD	Jules	MATL:	Wu	DATE	10.03.2023
APPD:	Join			FINISH	Shieh	Sheet	1 from 1

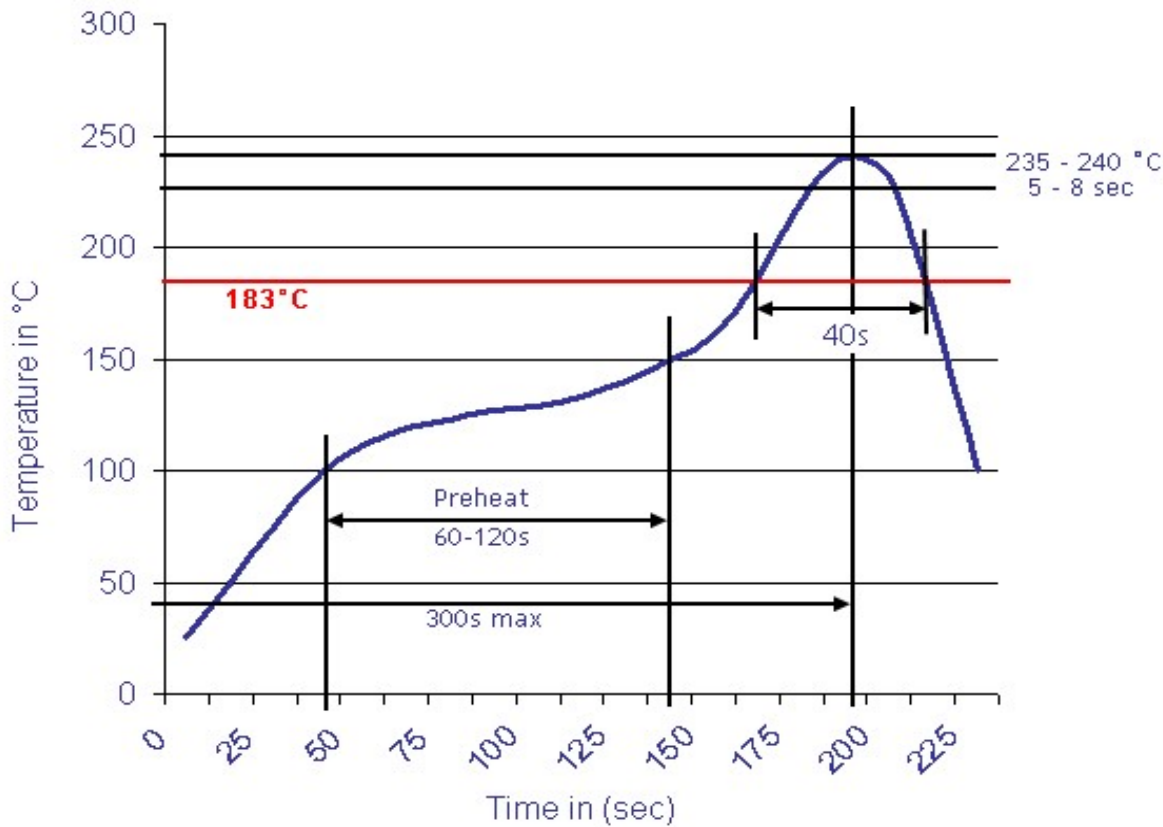
Copyright by S.Tiede



**Solder Condition**

**Lead Free Solder**

**Classification Reflow Profile (JEDEC J-STD-020C)**



<b>Machined Contact Pitch 2,54mm</b>	
Part No.:	<b>T40232</b>
Customer:	

DRW:	Jason	CHKD	Jules	MATL:	Wu	DATE	10.03.2023
APPD:	Join			FINISH	Shieh	Sheet	1 from 1