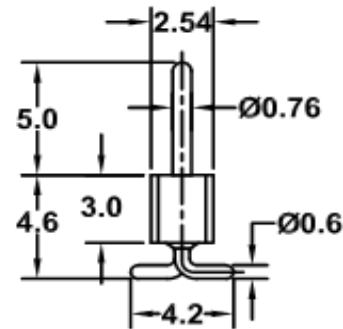
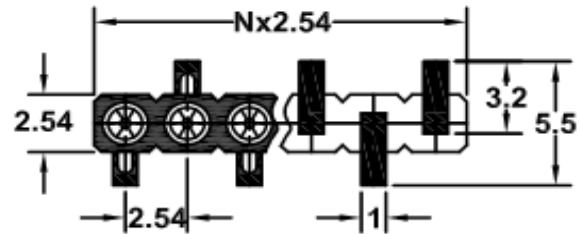


Technical Specification

Insulator:	Black glass filled polyester PPS-GF-30-FR
Flammability:	UL 94V-0
Sleeve:	Brass CuZn 36Pb3 (36000)
Mating Pin: (Ø)	0,76mm
Mechanical Life:	min 500 cycles
Rated Current:	3A
Contact Resistance:	max. 10m Ohm
Dielectric Strength:	min 1000V rms
Minimal position of deliver:	3
Maximal position of deliver:	40
Coplanarity SMD terminations	max. 0,1mm (measured on 25mm long connectors)

Technical Drawing



Ordering Information

Serie	No. of Pos.	Solder Pin Plating	First Pin from TOP	ROHS	Packing
-------	-------------	--------------------	--------------------	------	---------

T40218	40	A	L	R	B1
---------------	-----------	----------	----------	----------	-----------

03 ~ 40	A= Tin 150µ" (Standard)	L= Left Side	R= ROHS conform	B1= Bulk 100PCS TR = Tape/Reel packing w. Pic and Place Cap
	B= Tin 200µ"			
	C= GF	R= Right Side	N= NON ROHS conform	
	D= Gold 2µ"			
	E= Gold 3µ"			
	F= Gold 10µ"			
	G= Gold 15µ"			
	H=Special			

Machined Contact Pitch 2,54mm

Part No.: **T40218**

Customer:

DRW:	Jason	CHKD	Jules	MATL:	Wu	DATE	06.06.2009
APPD:	Join			FINISH	Shieh	Sheet	1 from 1