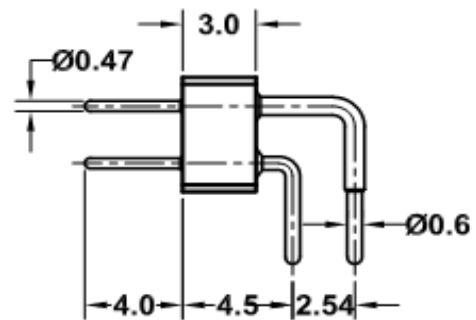
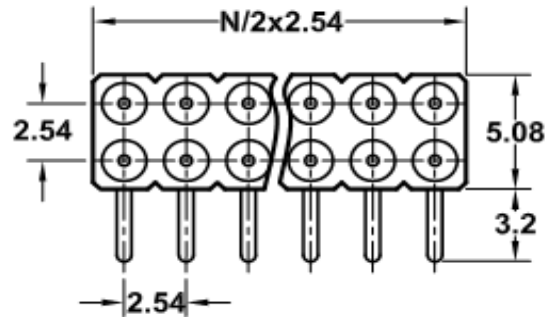


### Technical Specification

Insulator:	Black glass filled polyester PPS-GF-30-FR
Flammability:	UL 94V-0
Sleeve:	Brass CuZn 36Pb3 (36000)
Mating Pin: ( Ø )	0,47mm
Mechanical Life:	min 500 cycles
Rated Current:	3A
Contact Resistance:	max. 10m Ohm
Dielectric Strength:	min 1000V rms
Minimal position of deliver:	4
Maximal position of deliver:	80

### Technical Drawing



### Ordering Information

Serie	No. of Pos.	Solder Pin Plating	ROHS	Packing		
<b>T40205</b>	<b>80</b>	<b>A</b>	<b>R</b>	<b>B1</b>		

<b>04 ~ 80</b>	<b>A= Tin 150µ"</b> (Standard)	<b>R= ROHS conform</b>	<b>B1= Bulk 100PCS</b>
	<b>B= Tin 200µ"</b>	<b>N= NON ROHS conform</b>	<b>Ix = individuell</b>
	<b>C= GF</b>		
	<b>D= Gold 2µ"</b>		
	<b>E= Gold 3µ"</b>		
	<b>F= Gold 10µ"</b>		
	<b>G= Gold 15µ"</b>		
	<b>H=Special</b>		

**Machined Contact Pitch  
2,54mm**

Part No.: **T40205**

Customer:

DRW:	Jason	CHKD	Jules	MATL:	Wu	DATE	06.06.2009
APPD:	Join			FINISH	Shieh	Sheet	1 from 1