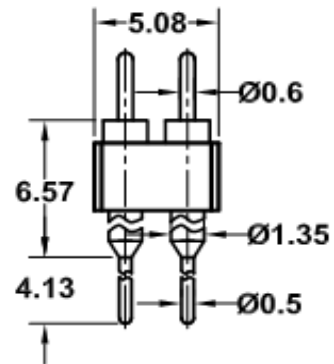
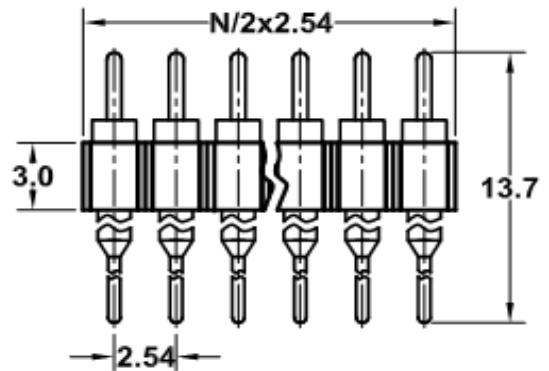




Technical Specification

Insulator:	Black glass filled polyester PPS-GF-30-FR
Flammability:	UL 94V-0
Sleeve:	Brass CuZn 36Pb3 (36000)
Mating Pin: (Ø)	0,60 / 0,50 mm
Mechanical Life:	min 500 cycles
Rated Current:	3A
Contact Resistance:	max. 10m Ohm
Dielectric Strength:	min 1000V rms
Minimal position of deliver:	4
Maximal position of deliver:	80

Technical Drawing



Ordering Information

Serie	No. of Pos.	Solder Pin Plating	ROHS	Packing		
-------	-------------	--------------------	------	---------	--	--

T40181	80	A	R	B1		
---------------	-----------	----------	----------	-----------	--	--

04 ~ 80	A= Tin 150µ" (Standard)	R= ROHS conform	B1= Bulk 100PCS
	B= Tin 200µ"	N= NON ROHS conform	
	C= GF		
	D= Gold 2µ"		
	E= Gold 3µ"		
	F= Gold 10µ"		
	G= Gold 15µ"		
	H= Special		

**Machined Contact Pitch
2,54mm**

Part No.: **T40181**

Customer:

DRW:	Jason	CHKD	Jules	MATL:	Wu	DATE	06.06.2009
APPD:	Join			FINISH	Shieh	Sheet	1 from 1