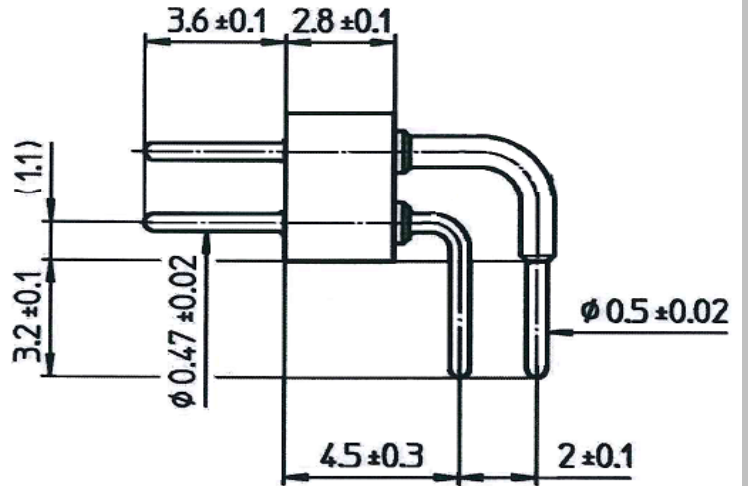


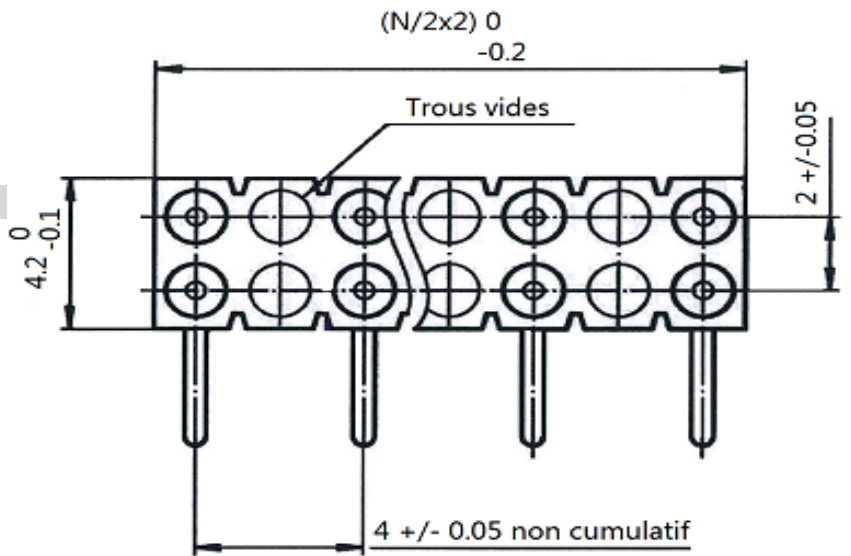
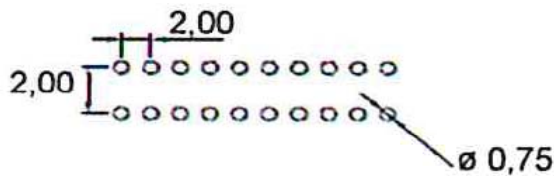
**Technical Specification**

Insulator:	Black glass filled polyester PPS-GF-30-FR
Flammability:	UL 94V-0
Sleeve:	Brass CuZn 36Pb3 (36000)
Contact Clip (4finger):	Beryllium Copper (C17200)
Mating Pin: ( Ø )	0,70 to 0,9mm Square 0,64
Forces:	polished steel gauge(Ø)0,76mm
.-Insertion:	1,2N typ.
.-Withdrawel:	0,6N typ.
Mechanical Life:	min 500 cycles
Rated Current:	3A
Contact Resistance:	max. 10m Ohm
Dielectric Strength:	min 1000V rms
Maximal position of deliver:	4
Maximal position of deliver:	80

**Technical Drawing**



**PCB Layout**



**Ordering Information**

Serie	No. of Pos.	Pin Plating	ROHS	Packing		
<b>T40159</b>	<b>xx</b>	<b>C</b>	<b>R</b>	<b>B1</b>		

<b>4 ~ 80</b>	<b>A= Tin 150µ"</b> (Standard)	<b>R= ROHS</b> conform	<b>B1= Bulk</b> 100PCS
	<b>B= Tin 200µ"</b>	<b>N= NON ROHS</b> conform	
	<b>C= GF</b>		<b>TR = Tape/Reel</b> w. Pic and Place Pad
	<b>D= Gold 2µ"</b>		
	<b>E= Gold 3µ"</b>		
	<b>F= Gold 10µ"</b>		
	<b>G= Gold 15µ"</b>		
	<b>H=Special</b>	<b>TU = Tupe w.</b> Pic and Place Pad	

<b>Male Machined Contact</b> <b>Pitch 4,00mm</b>	
Part No.:	<b>T40159</b>
Customer:	

DRW:	Jason	CHKD	Jules	MATL:	Wu	DATE	22.02.2018
APPD:	Join			FINISH	Shieh	Sheet	1 from 1