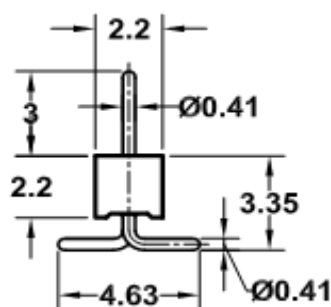
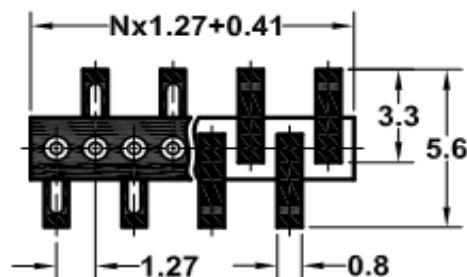


### Technical Specification

Insulator:	Black glass filled polyester PPS-GF-30-FR
Flammability:	UL 94V-0
Sleeve:	Brass CuZn 36Pb3 (36000)
Mating Pin: ( Ø )	0,41mm
Mechanical Life:	min 500 cycles
Rated Current:	1A
Contact Resistance:	max. 10m Ohm
Dielectric Strength:	min 500V rms
Minimal position of deliver:	3
Maximal position of deliver:	50

### Technical Drawing



### Ordering Information

Serie	No. of Pos.	Solder Pin Plating	First Pin from TOP	ROHS	Packing	
<b>T40138</b>	<b>50</b>	<b>A</b>	<b>L</b>	<b>R</b>	<b>B1</b>	

<b>03 ~ 50</b>	<b>A= Tin 150µ"</b> (Standard)	<b>L= Left Side</b>	<b>R= ROHS conform</b>	<b>B1= Bulk 100PCS</b>
	<b>B= Tin 200µ"</b>	<b>R= Right Side</b>		
	<b>C= GF</b>			<b>Ix = individuall</b>
	<b>D= Gold 2µ"</b>			
	<b>E= Gold 3µ"</b>			
	<b>F= Gold 10µ"</b>			
	<b>G= Gold 15µ"</b>			
	<b>H=Special</b>			

<b>Machined Contact Pitch 1,27mm</b>	
Part No.:	<b>T40138</b>
Customer:	

DRW:	Jason	CHKD	Jules	MATL:	Wu	DATE	06.06.2009
APPD:	Join			FINISH	Shieh	Sheet	1 from 1