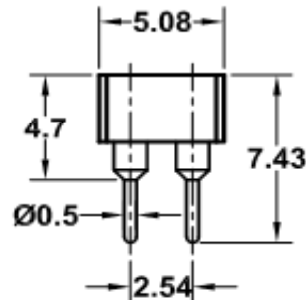
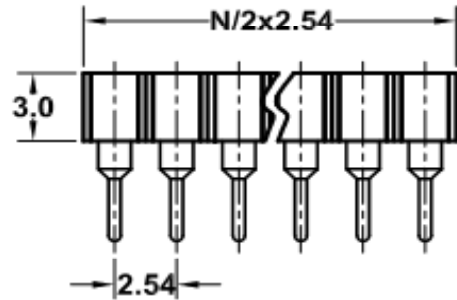


### Technical Specification

Insulator:	Black glass filled polyester PPS-GF-30-FR
Flammability:	UL 94V-0
Sleeve:	Brass CuZn 36Pb3 (36000)
Contact Clip (3finger):	Beryllium Copper (C17200)
Mating Pin: ( Ø )	<b>Ø0,66mm or Square Pin 0,64mm</b>
.-Insertion:	3N typ.
.-Withdrawal:	1,5N typ.
Mechanical Life:	min 500 cycles
Rated Current:	3A
Contact Resistance:	max. 10m Ohm
Dielectric Strength:	min 1000V rms
Maximal position of deliver:	4
Maximal position of deliver:	80

### Technical Drawing



### Ordering Information

Serie	No. of Pos.	Solder Pin Plating	Inner Clip Plating	ROHS	Packing
<b>T40057</b>	<b>80</b>	<b>A</b>	<b>3</b>	<b>R</b>	<b>B1</b>

<b>4 ~ 80</b>	<b>A</b> = Tin 150µ"	<b>1</b> = Tin 150µ"	<b>R</b> = ROHS conform	<b>B1</b> = Bulk 100PCS <b>TR</b> = Tape/Reel w. Pic and Place Pad <b>TU</b> = Tupe w. Pic and Place Pad
	(Standard)	<b>2</b> = Tin 200µ"		
	<b>B</b> = Tin 200µ"	<b>3</b> = GF (Standard)	<b>N</b> = NON ROHS conform	
	<b>C</b> = GF			
	<b>D</b> = Gold 2µ"	<b>4</b> = Gold 2µ"		
	<b>E</b> = Gold 3µ"	<b>5</b> = Gold 3µ"		
	<b>F</b> = Gold 10µ"	<b>6</b> = Gold 10µ"		
	<b>G</b> = Gold 15µ"	<b>7</b> = Gold 15µ"		
<b>H</b> =Special	<b>8</b> =Special			

**Machined Contact Pitch  
2,54mm**

Part No.: **T40057**

Customer:

DRW:	Jason	CHKD	Jules	MATL:	Wu	DATE	05.12.2017
APPD:	Join			FINISH	Shieh	Sheet	1 from 1

Copyright by S.Tiede