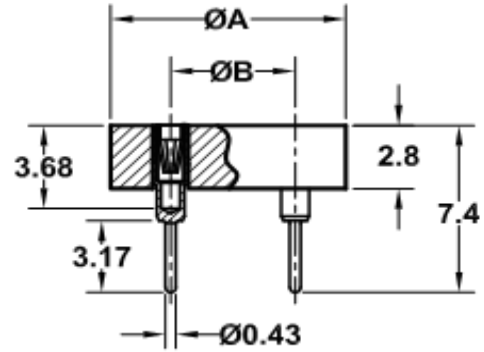


Technical Drawing

| | |
|----------------------|-------------------------------|
| Insulator: | Black Glass filled polyester |
| | PBT-GF30-FR |
| Flammability: | UL94V-0 |
| Sleeve: | Brass CuZn 36Pb3 (36000) |
| Contact Clip 4finger | Beryllium Copper (C17200) |
| Mating Pin: | 0,40 ~ 0,56mm |
| Forces: | (polished steel gauge 0,43mm) |
| Insertion: | 2N typ. |
| Withdrawal: | 1N typ. |
| Mechanical Life: | min 100 cycles |
| Rated Current: | 1A |
| Contact Resistance: | max. 10 milli Ohm |
| Dielectric strength: | min 1000V rms |



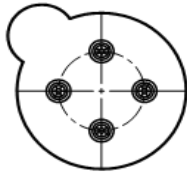
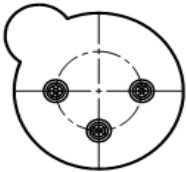
Order Code A

Order Code B

Order Code C

Order Code D

Order Code E



Ordering Information

| Serie | Order Code | Solder Pin Plating | Contact Clip Plating | ROHS | Packing |
|---------------|------------|--------------------|----------------------|----------|------------|
| T34079 | A | A | 3 | R | BU1 |

| | | | | |
|--------------|-----------------------------------|--|--|---------------------------|
| A ~ E | A= Tin 150µ" (Standard) | 1= Tin 150µ" 2= Tin 200µ" | R= ROHS conform N= NON ROHS conform | BU1= 1000PCS / BAG |
| | B= Tin 200µ" | 3= GF (Standard) | | |
| | C= GF | 4= Gold 2µ" | | |
| | D= Gold 2µ" | 5= Gold 3µ" | | |
| | E= Gold 3µ" | 6= Gold 10µ" | | |
| | F= Gold 10µ" | 7= Gold 15µ" | | |
| | G= Gold 15µ" | 8= Special | | |
| | H=Special | | | |

Machined Single Contact

Part No.: **T34079**

Customer:

| | | | | | | | |
|-------|-------|------|-------|--------|-------|-------|------------|
| DRW: | Jason | CHKD | Jules | MATL: | Wu | DATE | 06.06.2007 |
| APPD: | Join | | | FINISH | Shieh | Sheet | 1 from 1 |