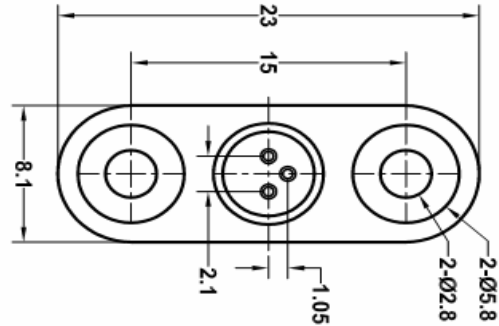


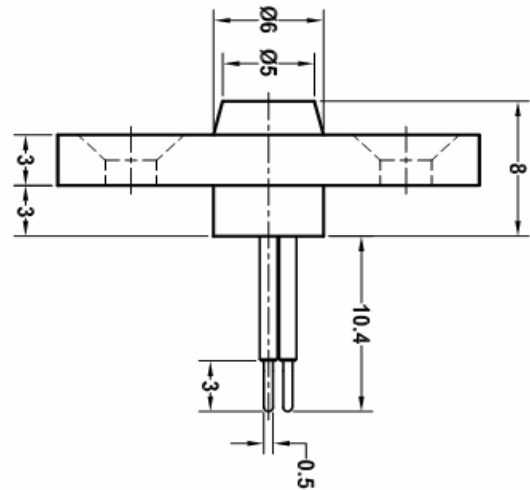
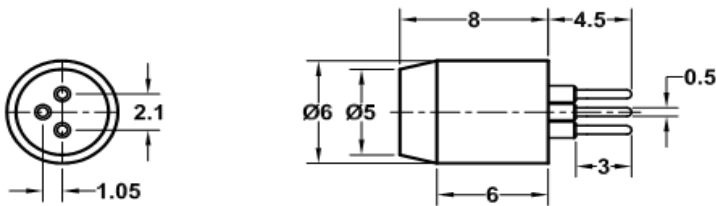
**Technical Drawing**

Insulator:	Black Glass filled polyester
	PBT-GF30-FR
Flammability:	UL94V-0
Sleeve:	Brass CuZn 36Pb3 (36000)
Contact Clip 4finger	Beryllium Copper (C17200)
Mating Pin:	0,40 ~ 0,56mm
Forces:	(polished steel gauge 0,43mm)
Insertion:	2N typ.
Withdrawal:	1N typ.
Mechanical Life:	min 100 cycles
Rated Current:	1A
Contact Resistance:	max. 10 milli Ohm
Dielectric strength:	min 1000V rms

**Order Code A**



**Order Code B**



**Ordering Information**

Serie	Order Code	Solder Pin Plating	Contact Clip Plating	ROHS	Packing
<b>T34078</b>	<b>A</b>	<b>A</b>	<b>3</b>	<b>R</b>	<b>BU1</b>

<b>A ~ B</b>	<b>A= Tin 150µ"</b> (Standard)	<b>1= Tin 150µ"</b> <b>2= Tin 200µ"</b>	<b>R= ROHS conform</b> <b>N= NON ROHS conform</b>	<b>BU1=</b> 1000PCS / BAG
	<b>B= Tin 200µ"</b>	<b>3= GF</b> (Standard)		
	<b>C= GF</b>	<b>4= Gold 2µ"</b>		
	<b>D= Gold 2µ"</b>	<b>5= Gold 3µ"</b>		
	<b>E= Gold 3µ"</b>	<b>6= Gold 10µ"</b>		
	<b>F= Gold 10µ"</b>	<b>7= Gold 15µ"</b>		
	<b>G= Gold 15µ"</b>	<b>8=Special</b>		
	<b>H=Special</b>			

<b>Machined Single Contact</b>	
Part No.:	<b>T34078</b>
Customer:	

DRW:	Jason	CHKD	Jules	MATL:	Wu	DATE	06.06.2007
APPD:	Join			FINISH	Shieh	Sheet	1 from 1