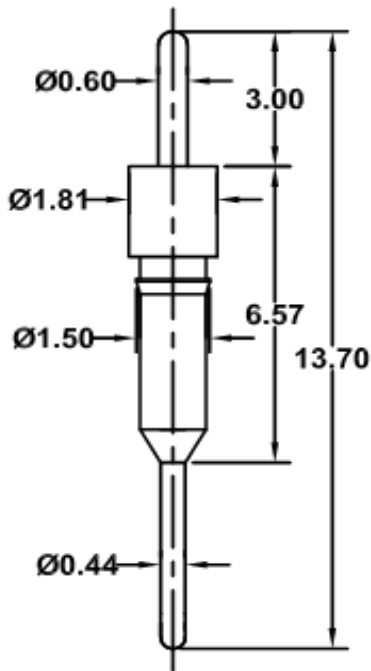




Technical Drawing



Ordering Information

Serie	Solder Pin Plating	Contact Clip Plating	ROHS	Packing
T34075	A	3	R	BU1

A= Tin 150µ"	1= Tin 150µ"	R= ROHS conform	BU1= 1000PCS / BAG
(Standard)	2= Tin 200µ"		
B= Tin 200µ"	3= GF (Standard)	N= NON ROHS conform	
C= GF	4= Gold 2µ"		
D= Gold 2µ"	5= Gold 3µ"		
E= Gold 3µ"	6= Gold 10µ"		
F= Gold 10µ"	7= Gold 15µ"		
G= Gold 15µ"	8=Special		
H=Special			

Machined Single Contact	
Part No.:	T34075
Customer:	

DRW:	Jason	CHKD	Jules	MATL:	Wu	DATE	06.06.2007
APPD:	Join			FINISH	Shieh	Sheet	1 from 1