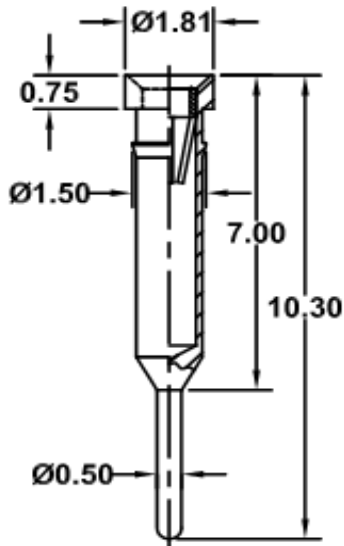




Technical Drawing



Ordering Information

Serie	Solder Pin Plating	Contact Clip Plating	ROHS	Packing
T34057	A	3	R	BU1

A = Tin 150µ" (Standard)	1 = Tin 150µ" 2 = Tin 200µ"	R = ROHS conform	BU1 = 1000PCS / BAG
B = Tin 200µ"	3 = GF (Standard)		
C = GF	4 = Gold 2µ"		
D = Gold 2µ"	5 = Gold 3µ"		
E = Gold 3µ"	6 = Gold 10µ"		
F = Gold 10µ"	7 = Gold 15µ"		
G = Gold 15µ"	8 =Special		

Machined Single Contact	
Part No.:	T34057
Customer:	

DRW:	Jason	CHKD	Jules	MATL:	Wu	DATE	06.06.2007
APPD:	Join			FINISH	Shieh	Sheet	1 from 1