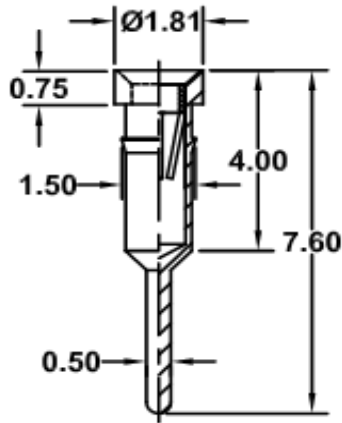




Technical Drawing



Ordering Information

Serie	Solder Pin Plating	Contact Clip Plating	ROHS	Packing
T34054	A	3	R	BU1

A= Tin 150 μ " (Standard)	1= Tin 150 μ " 2= Tin 200 μ "	R= ROHS conform	BU1= 1000PCS / BAG
B= Tin 200 μ " C= GF	3= GF (Standard)		
D= Gold 2 μ "	4= Gold 2 μ "		
E= Gold 3 μ "	5= Gold 3 μ "		
F= Gold 10 μ "	6= Gold 10 μ "		
G= Gold 15 μ "	7= Gold 15 μ "		
H= Special	8= Special		

Machined Single Contact	
Part No.:	T34054
Customer:	

DRW:	Jason	CHKD	Jules	MATL:	Wu	DATE	06.06.2007
APPD:	Join			FINISH	Shieh	Sheet	1 from 1