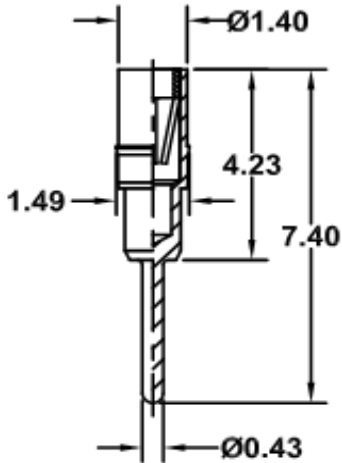




Technical Drawing



Ordering Information

Serie	Solder Pin Plating	Contact Clip Plating	ROHS	Packing
T34051	A	3	R	BU1

A= Tin $150\mu\text{m}$ (Standard)	1= Tin $150\mu\text{m}$ 2= Tin $200\mu\text{m}$	R= ROHS conform	BU1= 1000PCS / BAG
B= Tin $200\mu\text{m}$	3= GF (Standard)		
C= GF	4= Gold $2\mu\text{m}$		
D= Gold $2\mu\text{m}$	5= Gold $3\mu\text{m}$		
E= Gold $3\mu\text{m}$	6= Gold $10\mu\text{m}$		
F= Gold $10\mu\text{m}$	7= Gold $15\mu\text{m}$		
G= Gold $15\mu\text{m}$	8= Special		
H= Special			

Machined Single Contact	
Part No.:	T34051
Customer:	

DRW:	Jason	CHKD	Jules	MATL:	Wu	DATE	06.06.2007
APPD:	Join			FINISH	Shieh	Sheet	1 from 1