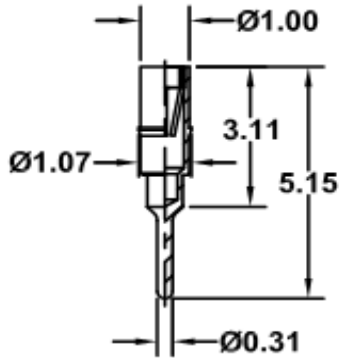




**Technical Drawing**



**Ordering Information**

Serie	Solder Pin Plating	Contact Clip Plating	ROHS	Packing
<b>T34049</b>	<b>A</b>	<b>3</b>	<b>R</b>	<b>BU1</b>

<b>A=</b> Tin $150\mu\text{m}$ (Standard)	<b>1=</b> Tin $150\mu\text{m}$ <b>2=</b> Tin $200\mu\text{m}$	<b>R=</b> ROHS conform	<b>BU1=</b> 1000PCS / BAG
<b>B=</b> Tin $200\mu\text{m}$ <b>C=</b> GF	<b>3=</b> GF (Standard)		
<b>D=</b> Gold $2\mu\text{m}$	<b>4=</b> Gold $2\mu\text{m}$		
<b>E=</b> Gold $3\mu\text{m}$	<b>5=</b> Gold $3\mu\text{m}$		
<b>F=</b> Gold $10\mu\text{m}$	<b>6=</b> Gold $10\mu\text{m}$		
<b>G=</b> Gold $15\mu\text{m}$	<b>7=</b> Gold $15\mu\text{m}$		
<b>H=</b> Special	<b>8=</b> Special		

**Machined Single Contact**

Part No.: **T34049**

Customer:

DRW:	Jason	CHKD	Jules	MATL:	Wu	DATE	06.06.2007
APPD:	Join			FINISH	Shieh	Sheet	1 from 1