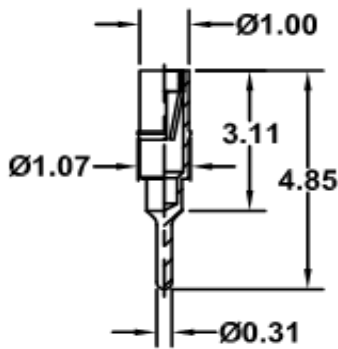




**Technical Drawing**



**Ordering Information**

| Serie         | Solder Pin Plating | Contact Clip Plating | ROHS     | Packing    |
|---------------|--------------------|----------------------|----------|------------|
| <b>T34047</b> | <b>A</b>           | <b>3</b>             | <b>R</b> | <b>BU1</b> |

|  |  |                        |                           |
|--|--|------------------------|---------------------------|
| <b>A=</b> Tin $150\mu$ "<br>(Standard) | <b>1=</b> Tin $150\mu$ "<br><b>2=</b> Tin $200\mu$ " | <b>R=</b> ROHS conform | <b>BU1=</b> 1000PCS / BAG |
| <b>B=</b> Tin $200\mu$ "               | <b>3=</b> GF (Standard)                              |                        |                           |
| <b>C=</b> GF                           | <b>4=</b> Gold $2\mu$ "                              |                        |                           |
| <b>D=</b> Gold $2\mu$ "                | <b>5=</b> Gold $3\mu$ "                              |                        |                           |
| <b>E=</b> Gold $3\mu$ "                | <b>6=</b> Gold $10\mu$ "                             |                        |                           |
| <b>F=</b> Gold $10\mu$ "               | <b>7=</b> Gold $15\mu$ "                             |                        |                           |
| <b>G=</b> Gold $15\mu$ "               | <b>8=</b> Special                                    |                        |                           |
| <b>H=</b> Special                      |  |                        |                           |

| <b>Machined Single Contact</b> |               |
|--------------------------------|---------------|
| Part No.:                      | <b>T34047</b> |
| Customer:                      |               |

|       |       |      |       |        |       |       |            |
|-------|-------|------|-------|--------|-------|-------|------------|
| DRW:  | Jason | CHKD | Jules | MATL:  | Wu    | DATE  | 06.06.2007 |
| APPD: | Join  |      |       | FINISH | Shieh | Sheet | 1 from 1   |