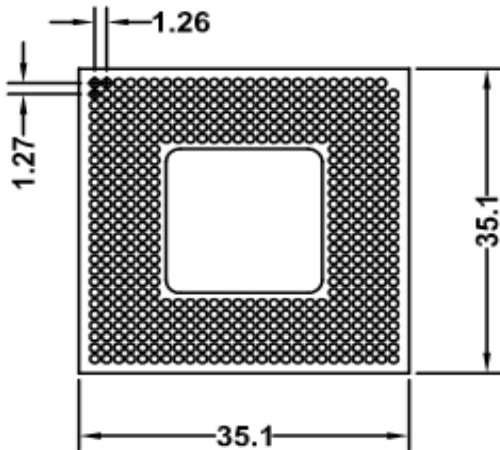


**Press Fit Terminals**

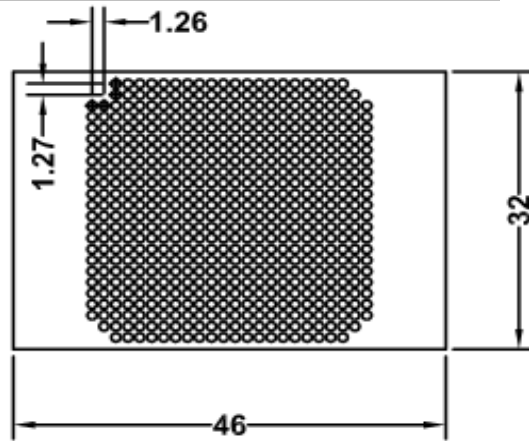
**Technical Specifications:**

Insulator:	Black glass filled poplyester FR4
Flammability:	UL94V-0
Sleeve:	Brass CuZn 36pb3 (36000)
Contact Clip:	6 finger Beryllium copper (17200)
Accepted Pin:	0,30 ~ 0,35mm
Forces:	polished steel gauge 0,30mm
Insertion:	0,2N typ.
Withdravel:	0,15N typ.
Mechanical Life:	min 100 cycles
Rated Curent:	1A
Contact Resistance:	max 10 milli Ohm
Dielectric strength:	min 500V rms
Pin Length:	L=8,25mm

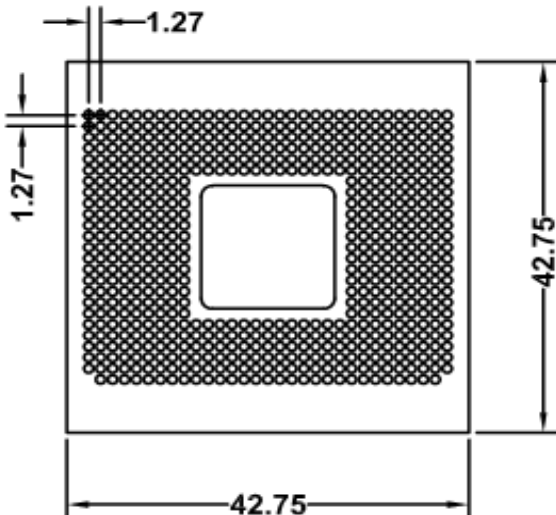
**Order Code 478 / 479**



**Order Code 563**



**Order Code 604A**



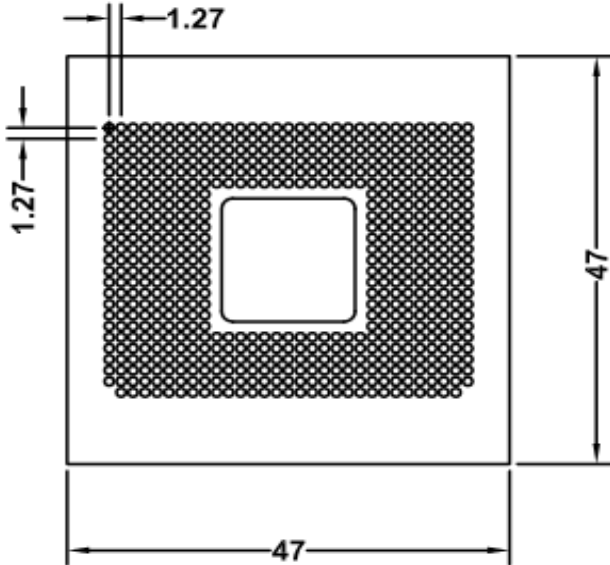
**Machined PIN GRID Array Socket**

Part No.:	<b>T34041</b>
Customer:	

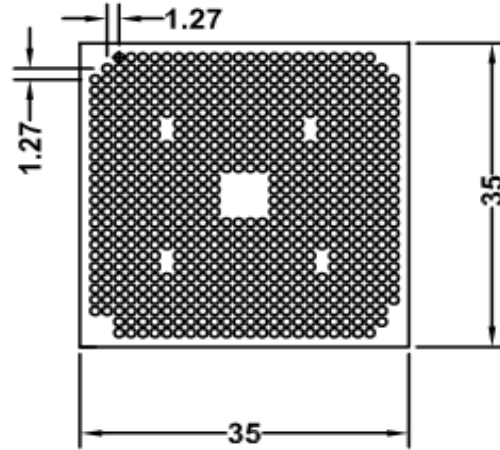
DRW:	Jason	CHKD	Jules	MATL:	Wu	DATE	06.06.2009
APPD:	Join			FINISH	Shieh	Sheet	1 from 3



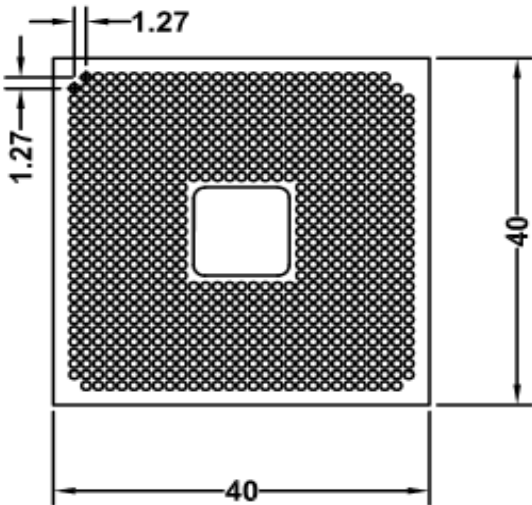
Order Code 604B



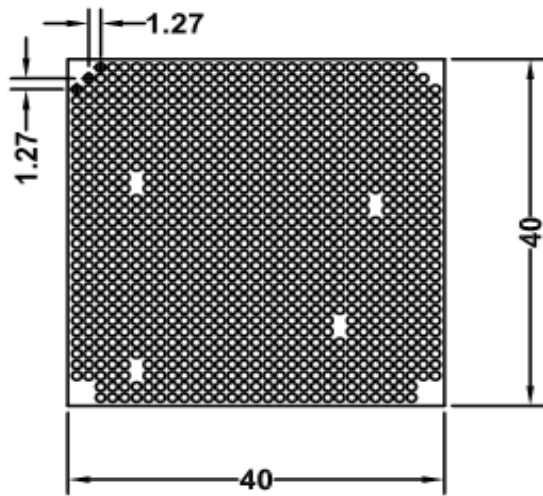
Order Code 638



Order Code 754



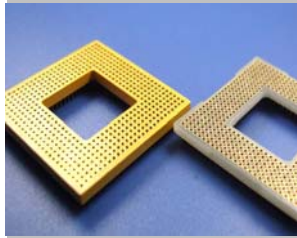
Order Code 939



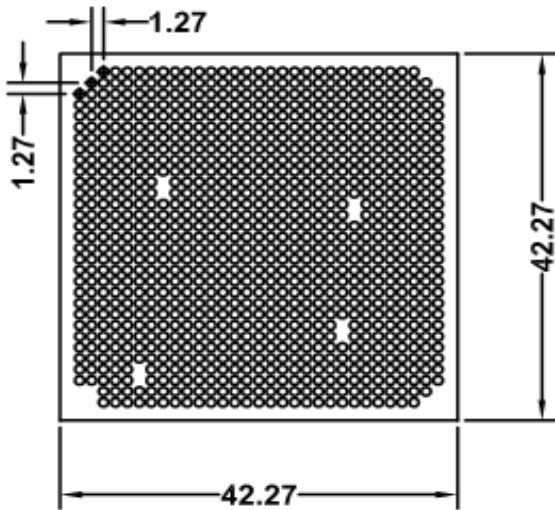
**Machined PIN GRID Array  
 Socket**

Part No.: **T34041**  
 Customer:

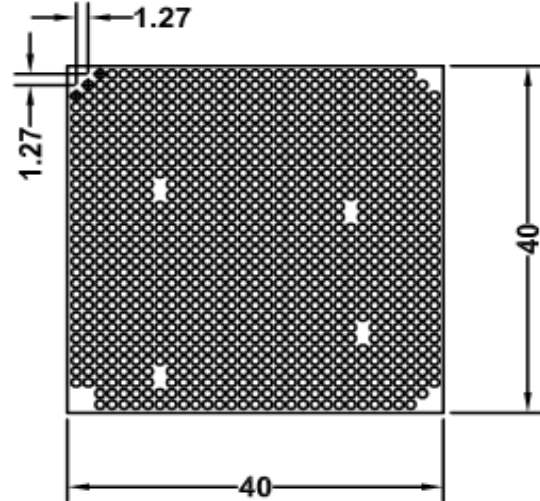
DRW:	Jason	CHKD	Jules	MATL:	Wu	DATE	06.06.2009
APPD:	Join			FINISH	Shieh	Sheet	2 from 3



Order Code 940A



Order Code 940B



**Ordering Information**

Serie	Order Code	Solder Pin Plating	Contact Clip Plating	ROHS	Packing
T34041	xxx	A	3	R	TU

look table	A= Tin 150µ"	1= Tin 150µ"	R= ROHS conform	TU= TUPE Packing
	(Standard)	2= Tin 200µ"	N= NON ROHS conform	
	B= Tin 200µ"	3= GF (Standard)		
	C= GF	4= Gold 2µ"		
	D= Gold 2µ"	5= Gold 3µ"		
	E= Gold 3µ"	6= Gold 10µ"		
	F= Gold 10µ"	7= Gold 15µ"		
	G= Gold 15µ"	8= Special		
	H=Special			

<b>Machined PIN GRID Array Socket</b>	
Part No.:	<b>T34041</b>
Customer:	

DRW:	Jason	CHKD	Jules	MATL:	Wu	DATE	06.06.2009
APPD:	Join			FINISH	Shieh	Sheet	3 from 3