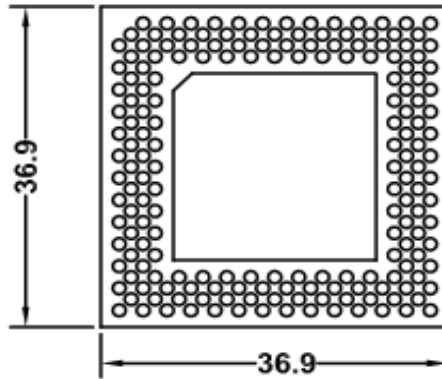


**Press Fit Terminals**

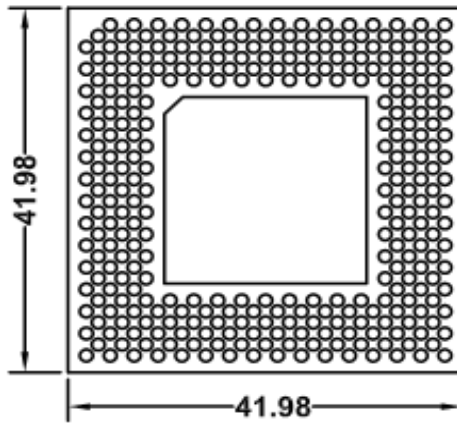
**Technical Specifications:**

Insulator:	Black glass filled polyester
	PBT-GF30-FR
Flammability:	UL94V-0
Sleeve:	Brass CuZn 36pb3 (36000)
	Bronze CuSn4Zn4 (C54400) for press fit contacts
Contact Clip:	6 finger Beryllium copper (17200)
Accepted pin:	0,40 ~ 0,56mm
Forces:	polished steel gauge 0,46mm
Insertion:	0,4N typ.
Withdrawal:	0,2N typ.
Mechanical Life:	min 100 cycles
Rated Curent:	1A
Contact Resistance:	max 10 milli Ohm
Dielectric strength:	min 700V rms

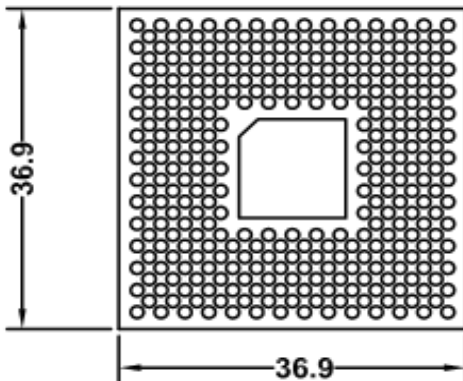
**Order Code 183**



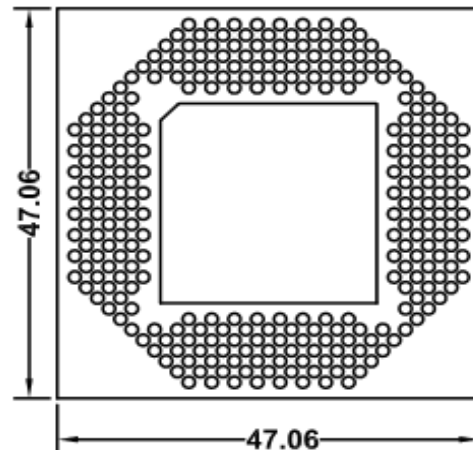
**Order Code 299**



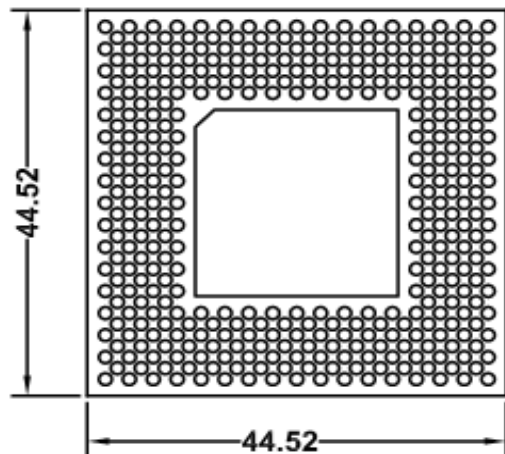
**Order Code 304**



**Order Code 280**



**Order Code 364**

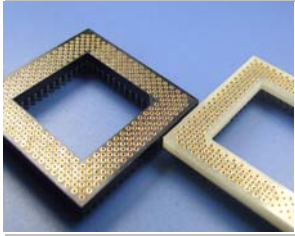


**Machined PIN GRID Array  
 Socket**

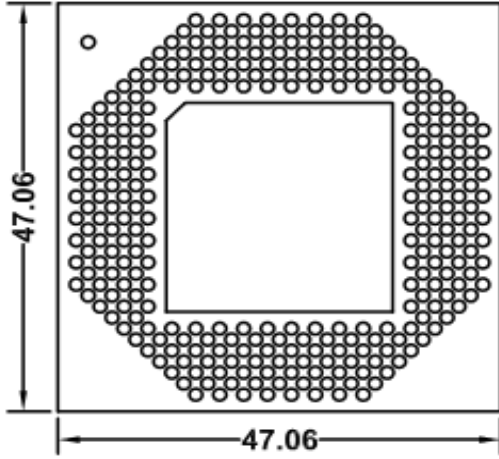
Part No.: **T34037**

Customer:

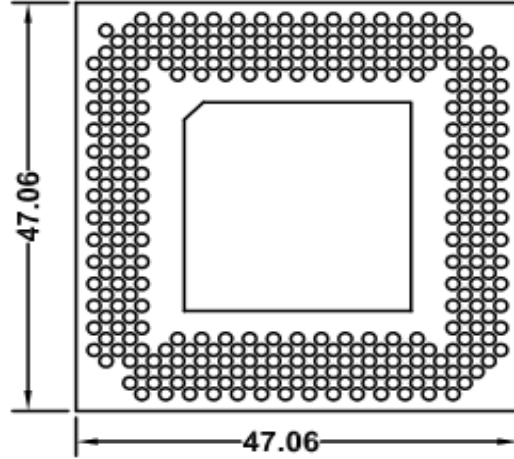
DRW:	Jason	CHKD	Jules	MATL:	Wu	DATE	06.06.2009
APPD:	Join			FINISH	Shieh	Sheet	1 from 3



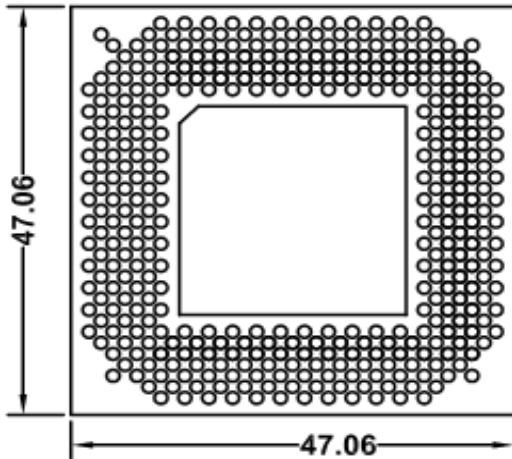
Order Code 293



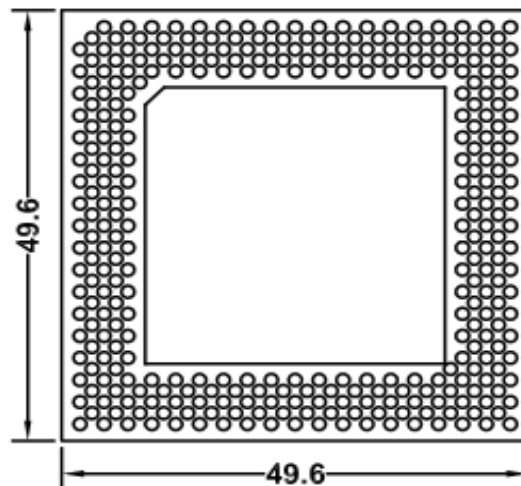
Order Code 305



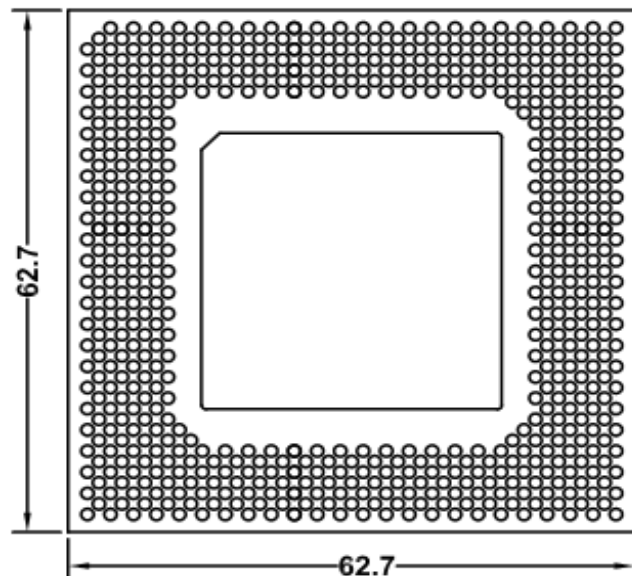
Order Code 361



Order Code 321



Order Code 599



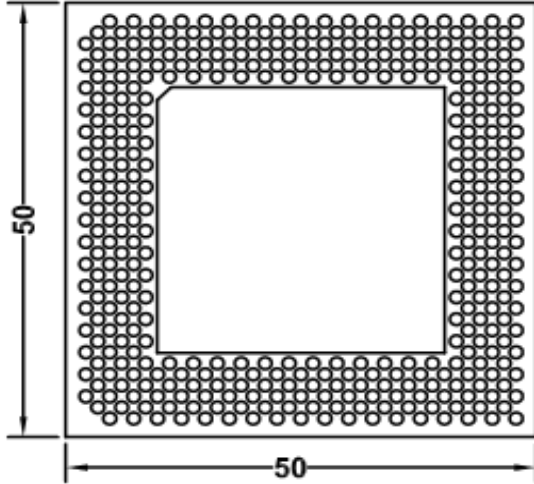
**Machined PIN GRID Array  
 Socket**

Part No.: **T34037**  
 Customer:

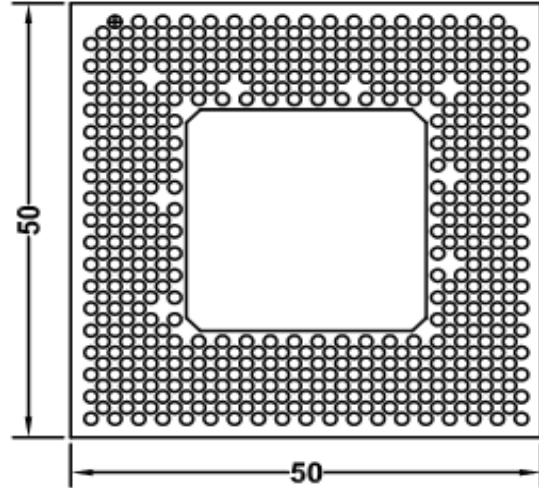
DRW:	Jason	CHKD	Jules	MATL:	Wu	DATE	06.06.2009
APPD:	Join			FINISH	Shieh	Sheet	2 from 3



**Order Code 370**



**Order Code 462**



**Ordering Information**

Serie	Order Code	Solder Pin Plating	Contact Clip Plating	ROHS	Packing
T34037	xxx	A	3	R	TU

look table	A= Tin 150µ"	1= Tin 150µ"	R= ROHS conform	TU= TUPE Packing
	(Standard)	2= Tin 200µ"		
	B= Tin 200µ"	3= GF (Standard)	N= NON ROHS conform	
	C= GF	4= Gold 2µ"		
	D= Gold 2µ"	5= Gold 3µ"		
	E= Gold 3µ"	6= Gold 10µ"		
	F= Gold 10µ"	7= Gold 15µ"		
	G= Gold 15µ"	8= Special		
	H=Special			

<b>Machined PIN GRID Array Socket</b>	
Part No.:	<b>T34037</b>
Customer:	

DRW:	Jason	CHKD	Jules	MATL:	Wu	DATE	06.06.2009
APPD:	Join			FINISH	Shieh	Sheet	3 from 3