

EDCON-COMPONENTS

A Plastic Bayonet Connector

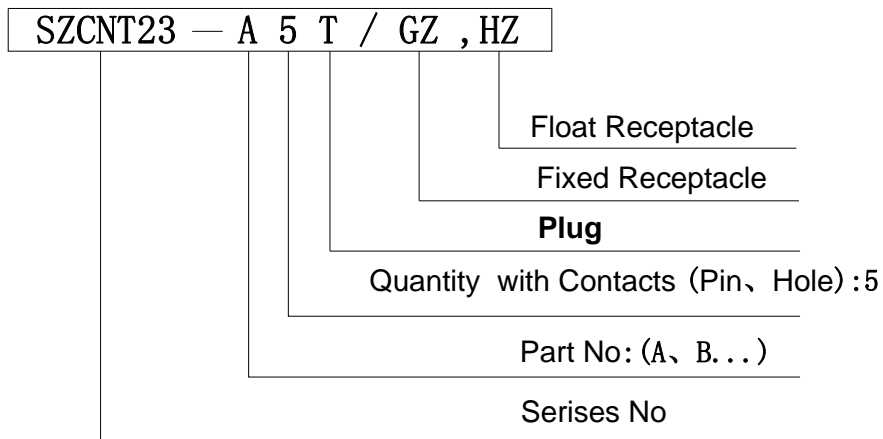


EDCON-COMPONENTS

一、 Description:

- ❖ T85012 plastic bayonet connector can be classified into: multi-core, pin-hole assembly modes. Fixed and movable connections are available. With screened function.
- ❖ Type of contacts: welded type.
- ❖ Assembly mode of contacts: holes in sockets, contact pins in plugs.
- ❖ Operating environment: Sealed type.
- ❖ Features: quick connection and disconnection, convenient, safe and reliable operation and graceful appearance . It is mainly used in the mechanical tools industry power transmission and control, data processing and testing equipment as well as and occasions of outdoors or marine navigation, etc..

二、 Models and types of products



T85012—A5T/GZ



EDCON-COMPONENTS

T85012—A5T/HZ



三、 Main technical specifications

Working temperature	-15 ° C --- 120 ° C
Working current	220V
Working Voltage	table1
Contact resistance	table 1
Insulation resistance	≥5000MΩ
Insulation electric strength	1200V (DC)
Mechanical life	500 times


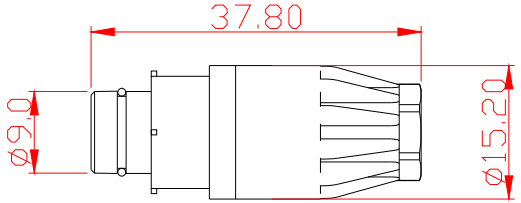

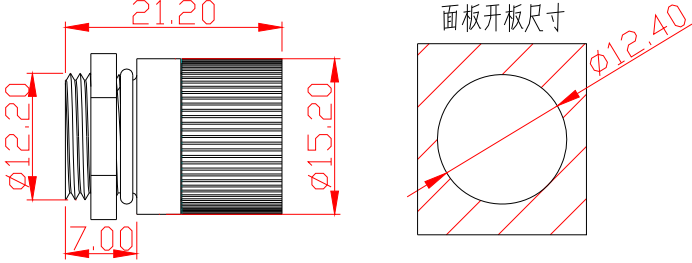
四、 Contact Characteristic:

Table (1)

Name	Drawing	working current (A)	contact resistance (mΩ)	wire diameter	
				AWG	mm
Pin		5A	5(6.7)	20 --- 24	0.24 --- 0.6
Hole					

EDCON-COMPONENTS

五、 Order products selection No:

Part No	Drawing	Dimension
SZCNT16-A5T		
SZCNT16-A6GZ		 <p>面板开板尺寸 $\phi 12.40$</p>
SZCNT16-A5HZ	