

EDCON-COMPONENTS  
T85010-1/3 Series Plastic Quick Screw Coupling



一、Description

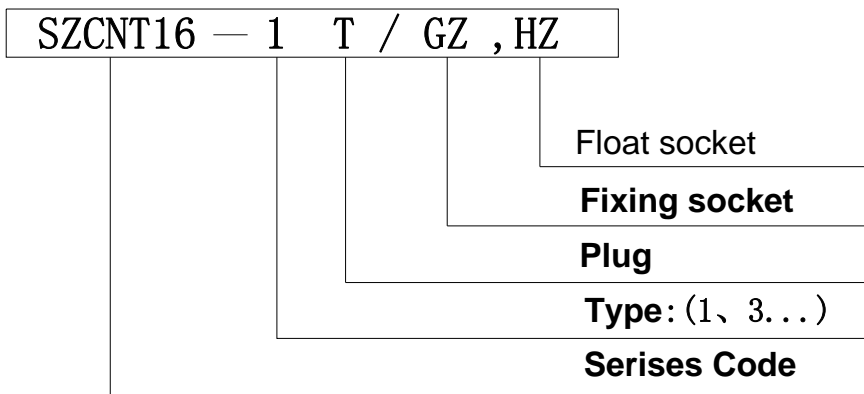
[www.edcon-components.com](http://www.edcon-components.com)

email: [info@edcon-components.com](mailto:info@edcon-components.com)

## EDCON-COMPONENTS

- ❖ Plastic quick screw couplings can be classified into: multi-core, pin-hole mixing and integral assembly modes. Fixed and movable connections are available.
  - ❖ Plastic quick screw couplings can achieve quick connection and disconnection and can provide convenient, safe and reliable operation .
  - ❖ Type of contacts of plastic quick screw couplings : compression joint.
  - ❖ Assembly mode of contacts of plastic quick screw couplings : holes in sockets, contact pins in plugs.
  - ❖ Operating environment of plastic quick screw couplings : Sealed type.
- Plastic quick screw couplings are provided with graceful appearance and are mainly used in the mechanical tools industry power transmission and control, data processing and testing equipment as well as and occasions of outdoors or marine navigation, etc

### 二、 Models and types of products



### 三、 Main technical specifications:

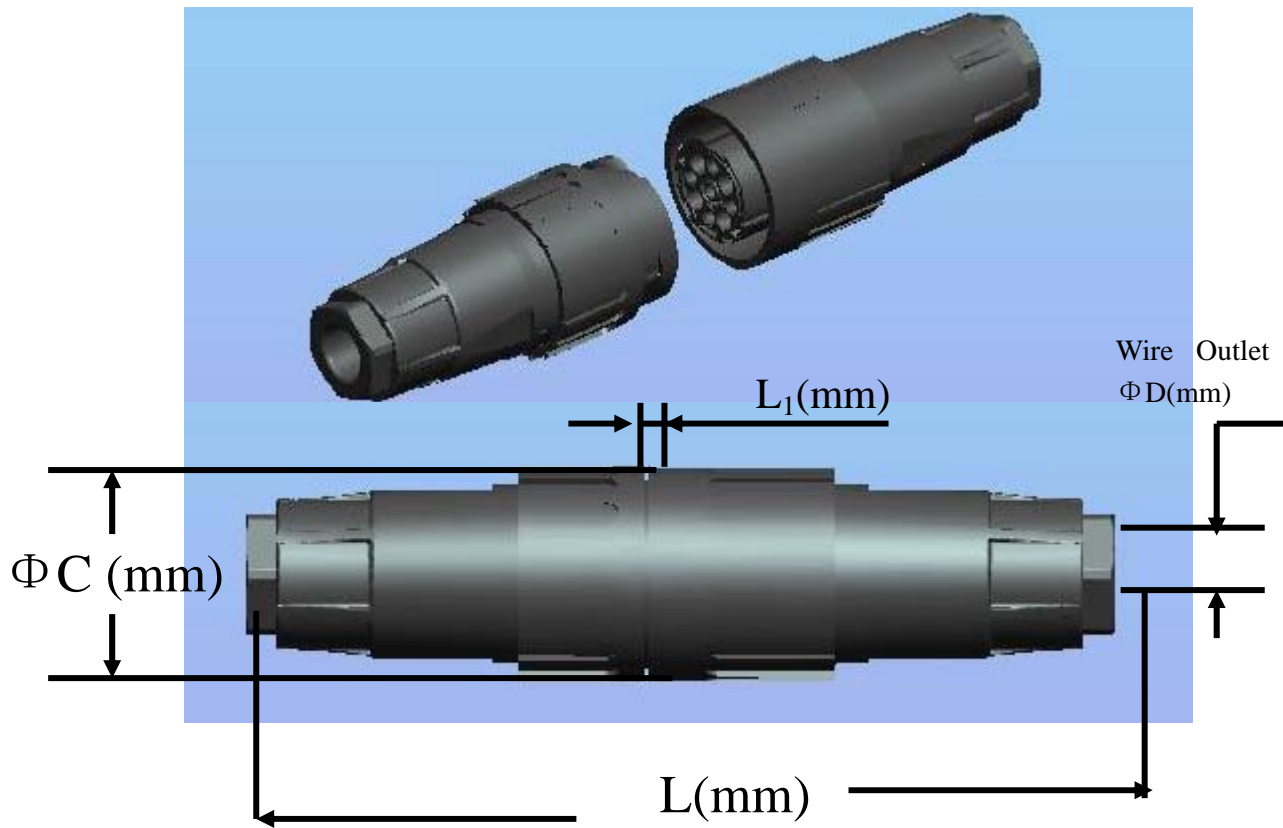
<b>Working temperature</b>	-45 ° C --- 150 ° C
working volt	250V
Working current	<b>Table 1</b>
contact resistance	<b>Table 1</b>
<b>Insulation resistance</b>	≥5000MΩ
Insulation electric strength	1500V (DC)
<b>Mechanical life</b>	<b>1000 times</b>

### 四、 Electronic characteristic:

## EDCON-COMPONENTS

No	Contact standard	Working current (A)	Contact Resistance (m)	The mated wire	
				AWG	mm
1	16#	15A	2.5(3.5)	16---18	1.0---1.2
2	18#	10A	4.0(5.0)	18---20	0.8---1.0

### T85010-1、 3 T / HZ

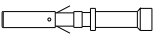
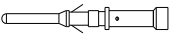
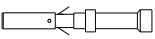
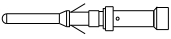
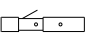
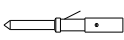


Ref Dimension	$\Phi$	$\Phi C$	$L$ (mm)	$L_1$ (mm)
T85010-3	12.80	44.00	155.00	1.00
T85010-1T/	11.20	34.00	138.00	1.00



# EDCON-COMPONENTS

## Order products selection table:

Contact No	terminate type	Part No	drawing		mate with products part no
16#	clamp type	CNT16-3SY0	hole		CNT16-3GZ/HZ
16#	clamp type	CNT16-3PY0	pin		CNT16-3T
16#	clamp type	CNT16-1SY0	hole		CNT16-1GZ/HZ
16#	clamp type	CNT16-1PY0	pin		CNT16-1T
18#	clamp type	CNT16-3SY1	hole		CNT16-3GZ/HZ
18#	clamp type	CNT16-3PY1	pin		CNT16-3T

## s SZT85010-1/3 Drilling pattern dimensions

SZCNT16-1/3插座开板尺寸

