

EDCON-COMPONENTS

T85008 Minitype Metal Push-Pull Electrical Connector

一、Description

T85008 Metal Push-Pull Electrical Connectors are widely used for electron, instrument, video and medical equipments.

The characteristics of the products are as follows:

Push-Pull button makes it easy to connect and separate.

An Automatic lock make it reliable to be connected.

A modified design of key makes it to avoid misinserting.

Compact structure makes it small-size.

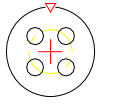
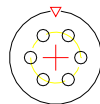
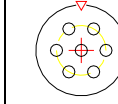
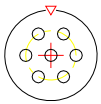
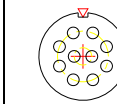
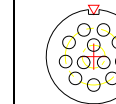


EDCON-COMPONENTS

二、T85008 Metal Push-Pull Electrical Connector Type

	<u>T85008</u>	<u>—</u>	<u>01</u>	<u>PT</u>	<u>04</u>	<u>SH</u>	<u>K</u>	<u>FD</u>
Basic Series								
Shell Size	01	02						
Plug	PT	Bend Plug	WT	Socket	PZ			
Number of Contacts	2	4	6	7	10	12		
Type of contacts	SH: Solder Type		SP: PCB Type					
Insulator Module:	K: Module load hole		Z: Module load pin					
Receptacle Location:	GD: Tightening Type		FD: Floating Type					

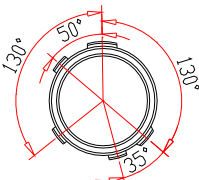
三、Contact Configuration and Major Ratings

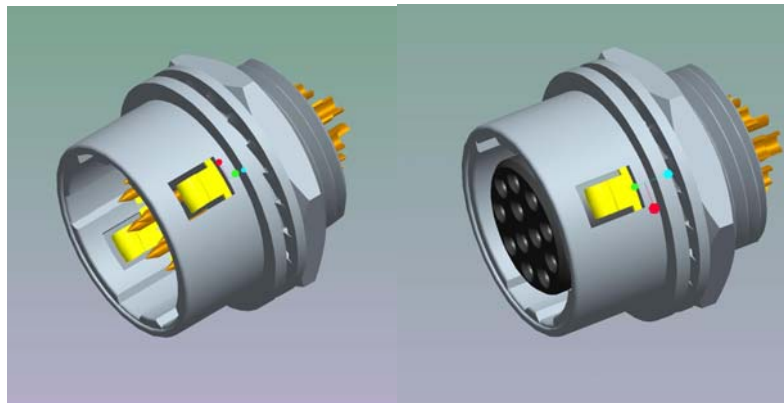
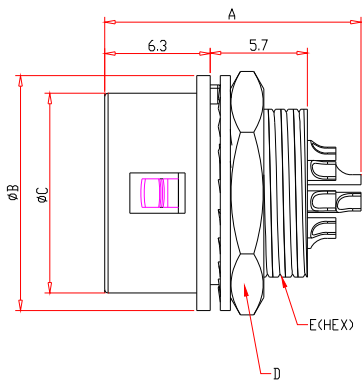
Item	Technical Characteristics	Contact Layouts					
		1#Shell			2#Shell		
							
1	Contact Diameter mm	0.5			0.7	0.5	
2	Contact Resistance mΩ	10			6.5	10	
3	Working Voltage KV/DC	0.3			0.45	0.3	
	Working Voltage KV/AC	0.2			0.35	0.2	
4	Test Voltage KV/DC	0.9			1.2	0.9	

EDCON-COMPONENTS

	Test Voltage KV/AC	0.5	0.8	0.5
5	Working Current A	2	3.5	2
6	Working Temperature °C	-50°C—125°C		
7	Mechanical Endurance (Times)	1000		

四、Keying Alteration

(Plug Forward) Keying	
Plug Type	Jack
Socket Type	Pin
Contact Quantity	4、6、7、10、12

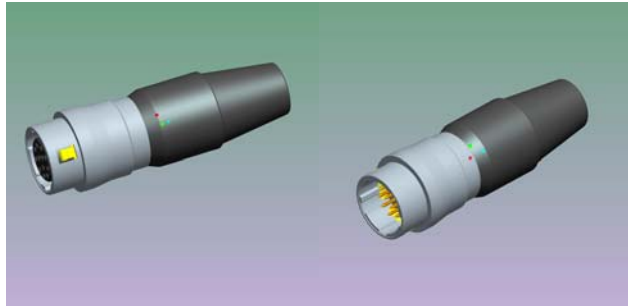
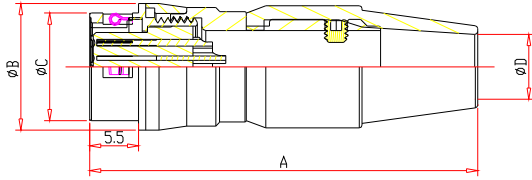


五、Fixed Socket Exterior Dimension

Shell Size	Part No	Contact Quantity	A	φ B	φ C	D	E
1	T85008-01PZ04SHZ(K)-GD	4	14	11	8.85	M8*0.5	10
	T85008-01PZ06SHZ(K)-GD	6	14	11	8.85	M8*0.5	10
	T85008-01PZ07SHZ(K)-GD	7	14	11	8.85	M8*0.5	10
2	T85008-02PZ07SHZ(K)-GD	7	16	14	11.9	M11*0.75	13
	T85008-02PZ10SHZ(K)-GD	10	16	14	11.9	M11*0.75	13
	T85008-02PZ12SHZ(K)-GD	12	16	14	11.9	M11*0.75	13

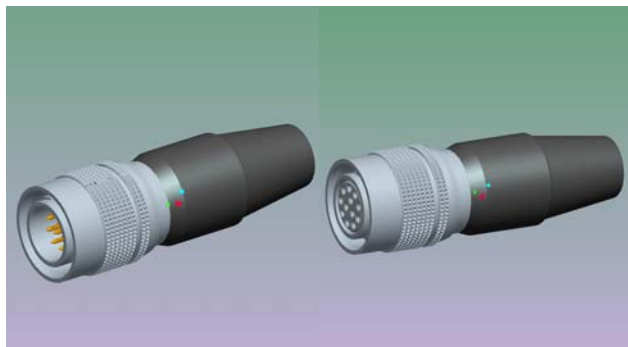
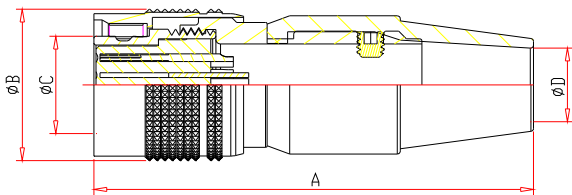
EDCON-COMPONENTS

六、Float Socket Exterior Dimension



Shell Size	Part No	Contact Quantity	A	ϕB	ϕC	ϕD
1	T85008-01PZ04SHZ(K)-FD	4	35.5	11	8.85	5
	T85008-01PZ06SHZ(K)-FD	6	35.5	11	8.85	5
	T85008-01PZ07SHZ(K)-FD	7	35.5	11	8.85	5
2	T85008-02PZ07SHZ(K)-FD	7	44	14	11.9	7
	T85008-02PZ10SHZ(K)-FD	10	44	14	11.9	7
	T85008-02PZ12SHZ(K)-FD	12	44	14	11.9	7

七、Soldering straight plug exterior dimension

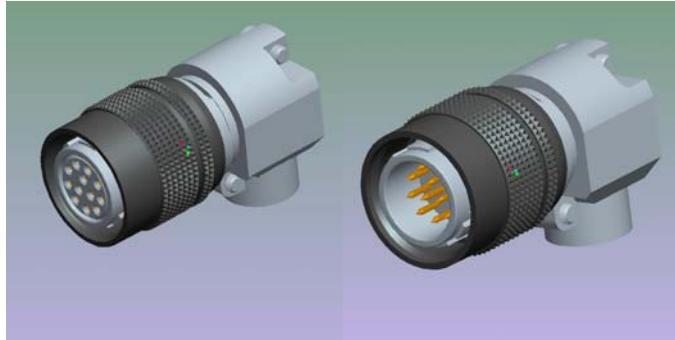
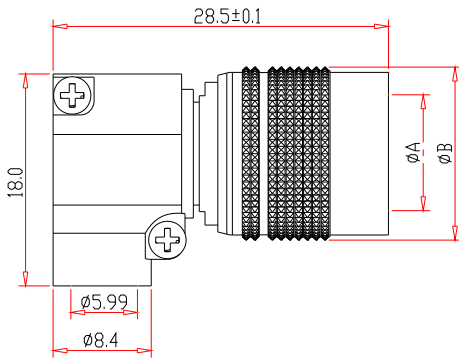


Shell size	Part No	Contact Quantity	A	ϕB	ϕC	ϕD
1	T85008-01PT04SHZ(K)	4	35.5	11.5	7	5
	T85008-01PT06SHZ(K)	6	35.5	11.5	7	5
	T85008-01PT07SHZ(K)	7	35.5	11.5	7	5
	T85008-02PT07SHZ(K)	7	43.5	14.8	9.5	7

EDCON-COMPONENTS

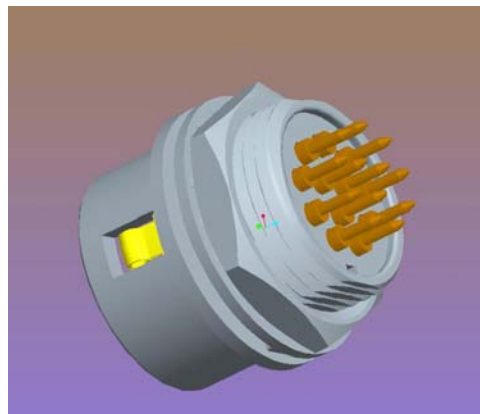
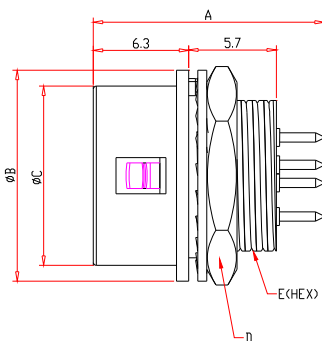
2	T85008-02PT10SHZ(K)	10	43.5	14.8	9.5	7
	T85008-02PZ12SHZ(K)	12	43.5	14.8	9.5	7

八、Soldering elbow plug exterior dimension



Shell size	Part No	Contact Quantity	ϕA	ϕB	
2	T85008-02WT07SHZ(K)	7	14.8	9.5	
	T85008-02WT10SHZ(K)	10	14.8	9.5	
	T85008-02WZ12SHZ(K)	12	14.8	9.5	

九、PCB Type Socket

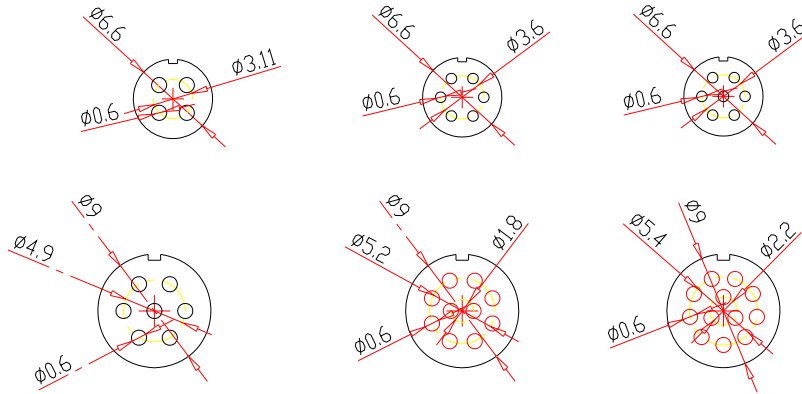


Shell Size	Part No	Contact Quantity	A	ϕB	ϕC	D	E
1	T85008-01PZ04SPZ(K)	4	15.5	11	8.85	M8*0.5	10
	T85008-01PZ06SPZ(K)	6	15.5	11	8.85	M8*0.5	10
	T85008-01PZ07SPZ(K)	7	15.5	11	8.85	M8*0.5	10

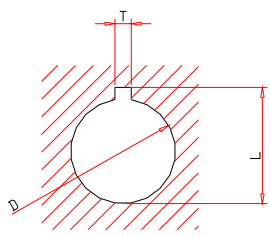
EDCON-COMPONENTS

2	T85008-02PZ07SPZ(K)	7	15.5	14	11.9	M11*0.75	13
	T85008-02PZ10SPZ(K)	10	15.5	14	11.9	M11*0.75	13
	T85008-02PZ12SPZ(K)	12	15.5	14	11.9	M11*0.75	13

十、PCB Drilling Pattern



十一、Drilling pattern dimension

	Shell Size	D	T	L	B
1	1	8.0	1.6	9.0	7.3
2	2	11.1	2.5	11.5	11.3