

EDCON-COMPONENTS

T85003 Plastic Push-Pull Electrical Connector

一、 Description

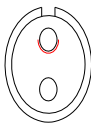
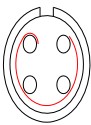
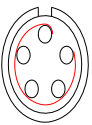
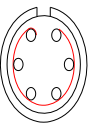
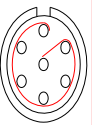

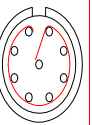
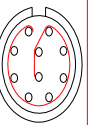
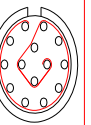




T85003 plastic Push-Pull electrical connector used for some industrial fields, such as communication, electronics and medical equipments. The characteristics of the products are as follows:

- Push-Pull button makes it easy to connect and separate.
- An Automatic lock make it reliable to be connected.
- An all plastic shell makes it adaptable to environment.
- A modified design of key makes it to avoid misinserting.
- Compact structure makes it small-size.
- Various termination-solder cup, crimp or PCB type.

二、 Characteristics

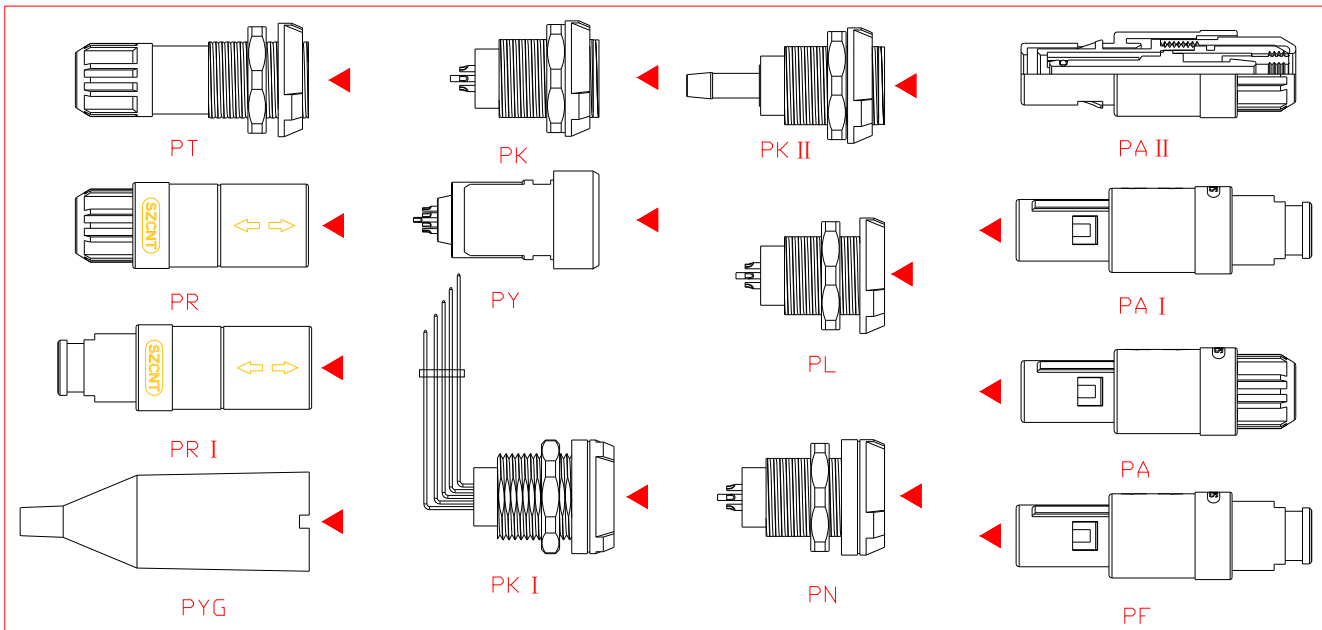
EDCON-COMPONENTS

Characteristics	Standards	Units	Contact layouts								
											
Contact Quantity		mm	02	04	05	06	07	08	09	10	14
Contact diameter (Pin)		mm	1.3	0.9	0.9	0.7	0.7	0.7	0.5	0.5	0.5
Soldered-type diameter		mm	1.1	0.85	0.85	0.6	0.6	0.6	0.45	0.45	0.45
AWG max		AWG max	20	22		26			28		
Crimp bucket diameter		mm	1.4	1.1		0.8					
AWG max		AWG(max-min)	18~20	20~24		22~26					
Contact resistance	IEC60512-2 test2a	mΩ	<3.5	<4.5		<6.5			<8.5		
Insulation resistance	IEC60512-2 test3a	Ω	>10 ¹²								
Working voltage		KV/DC	0.6		0.5			0.4		0.3	
Working voltage		KV/AC	0.4		0.35			0.29		0.2	
Test voltage	IEC60512-2 test4a	KV/DC	1.8		1.5			1.2		0.9	
Test voltage	IEC60512-2 test4a	KV/AC	1.2		1.05			0.85		0.6	
Rated current	IEC60512-2 test5a	A	10	8	7	6	5	3	2		
Breakdown voltage	IEC6001-1 (ξ20.1)	KV/DC	13								
Environmental Temperature Range		℃	-50℃---125℃								
Mechanical Endurance	IEC60512-5 test9a	次	≥5000 [>1000(times)]								

1# Part Section Showing

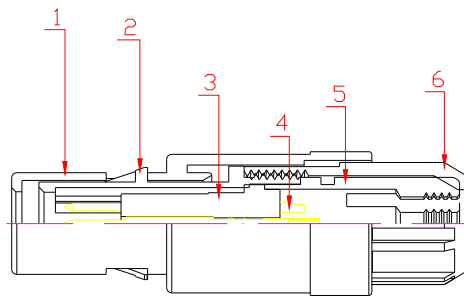
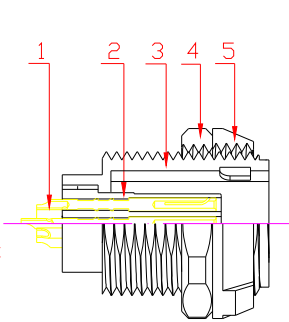
Table 1

EDCON-COMPONENTS



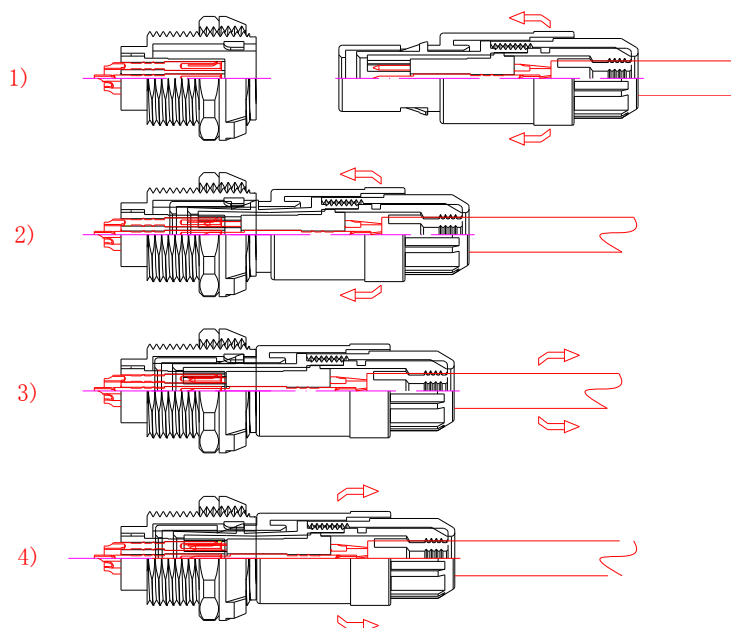
Part Section Showing Internal Components

Receptacle:
 1. Female
 2. Insulator
 3. Outershell
 4. Hexagonal nut
 5. Nut M14



Plug:
 1. Outershell
 2. innershell
 3. Insulator
 4. Contact
 5. Cable clamp
 6. Collet nut

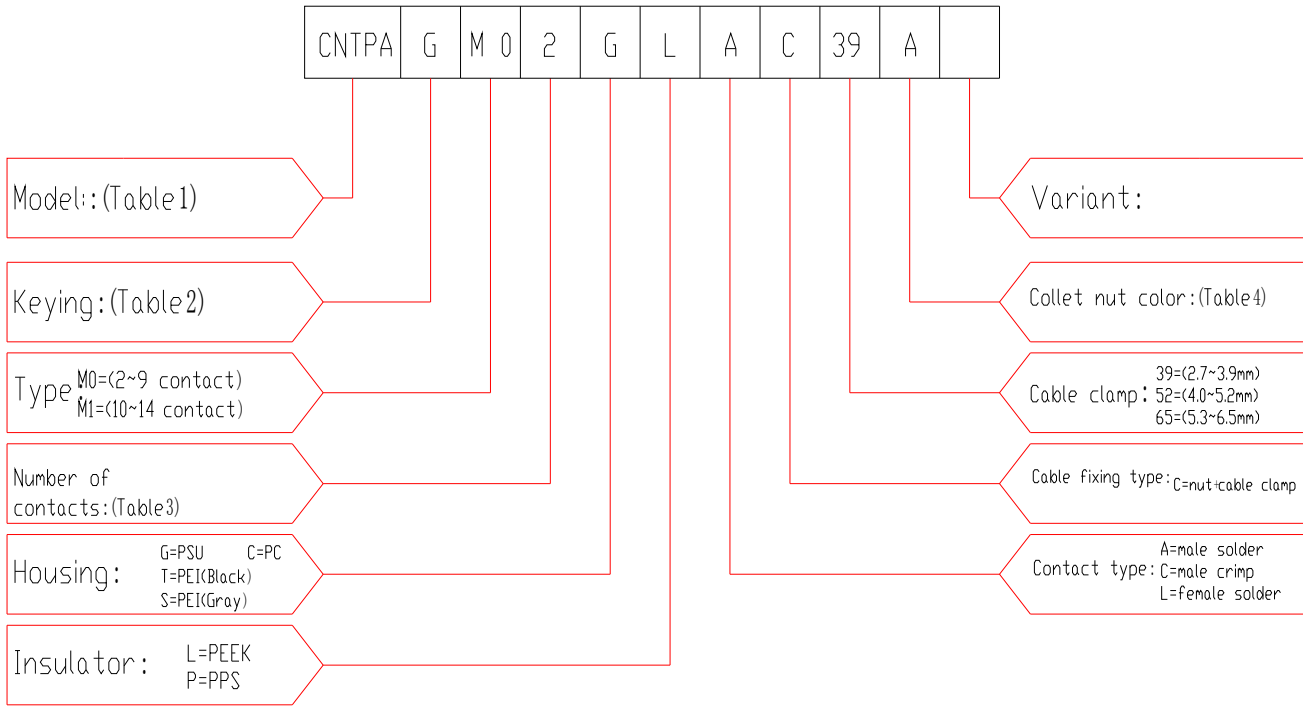
operating principle



EDCON-COMPONENTS

≡. Product Type

Plug Type



Receptacle Type

EDCON-COMPONENTS

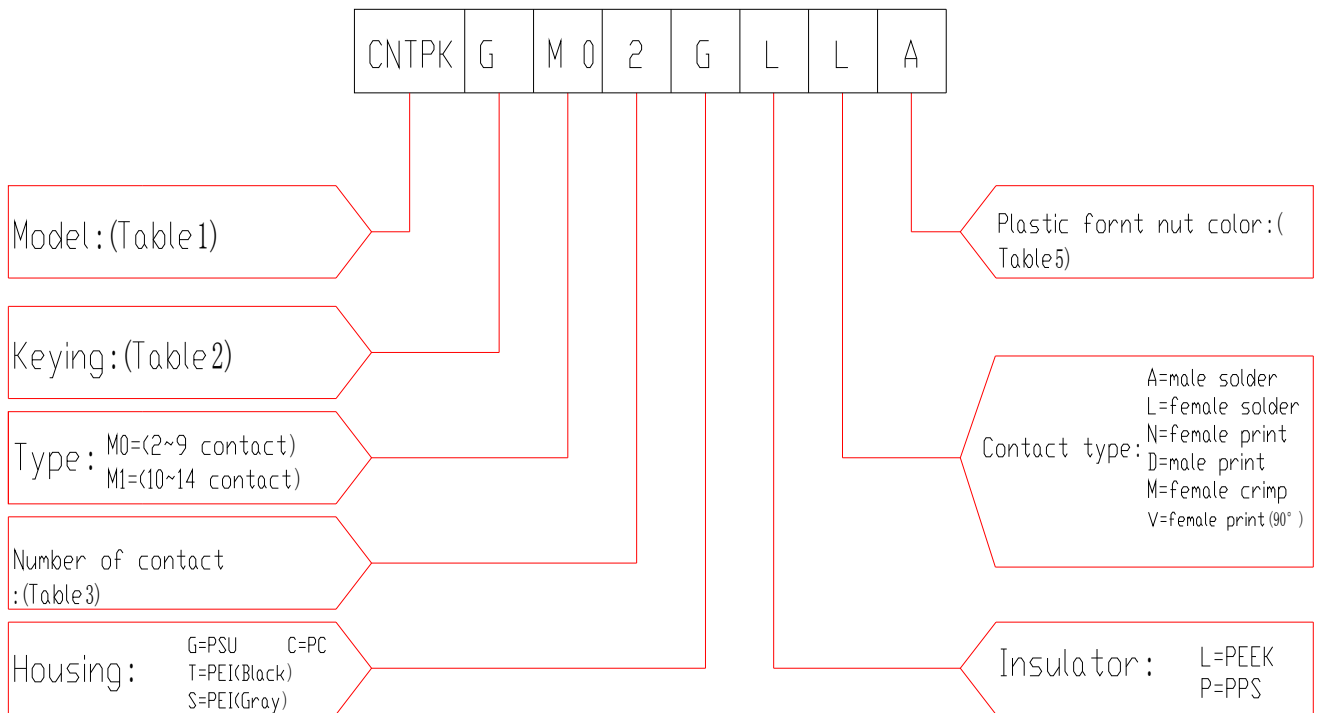
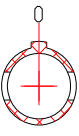
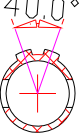
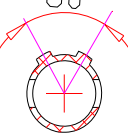
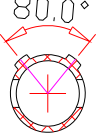
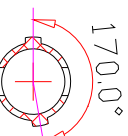

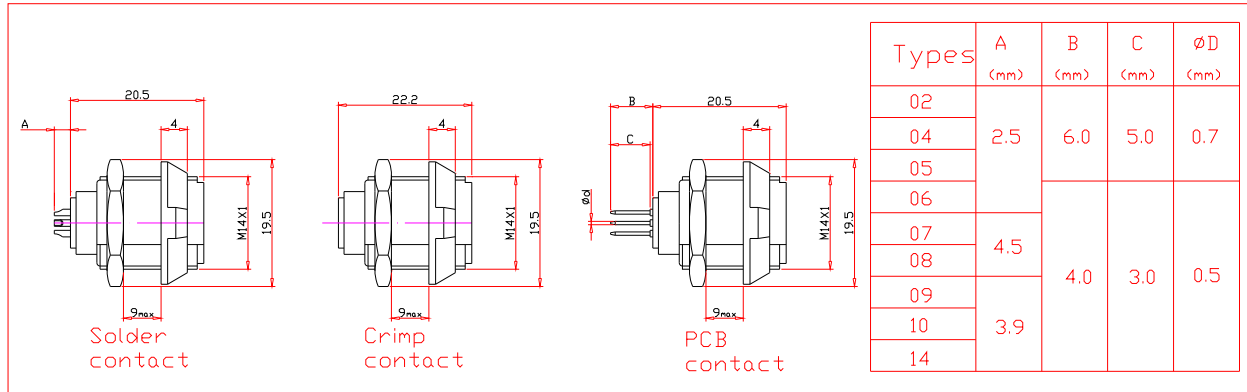


Table 2

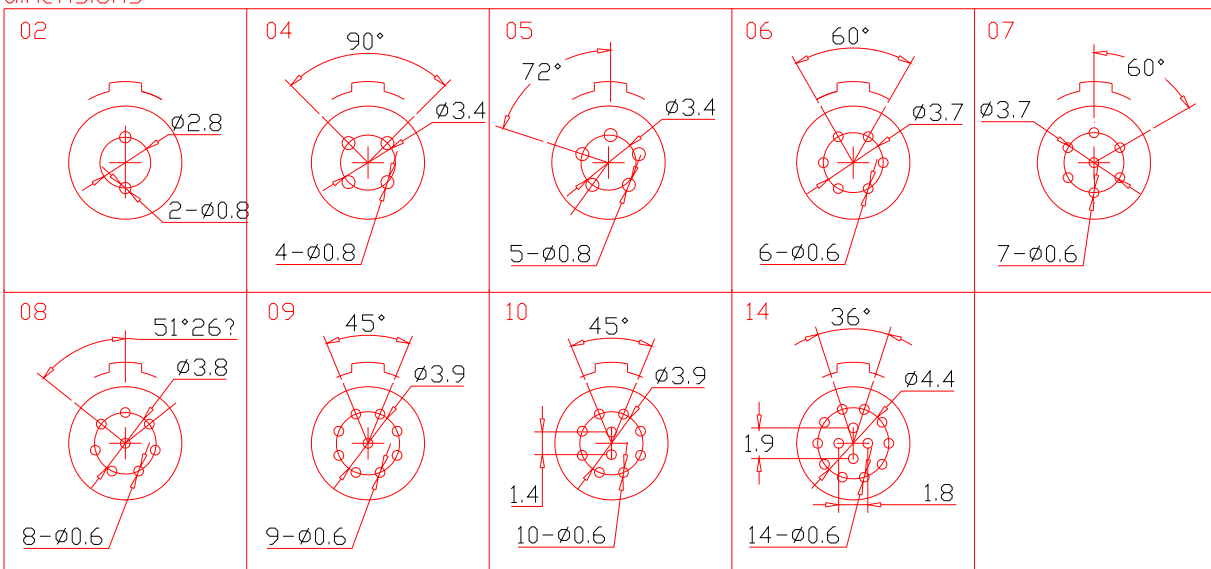
schematic (Plug front view)						
Keying Size	N	A	B	C	H	J
Contact type for plug	male	male	male	male	female/male	female/male
Contact type for receptacle	female	female	female	female	male/female	male/female
Number of contacts	2, 4, 5, 6, 7, 8, 9, 10, 14				8, 10 or 14	
Note						

四. Contact

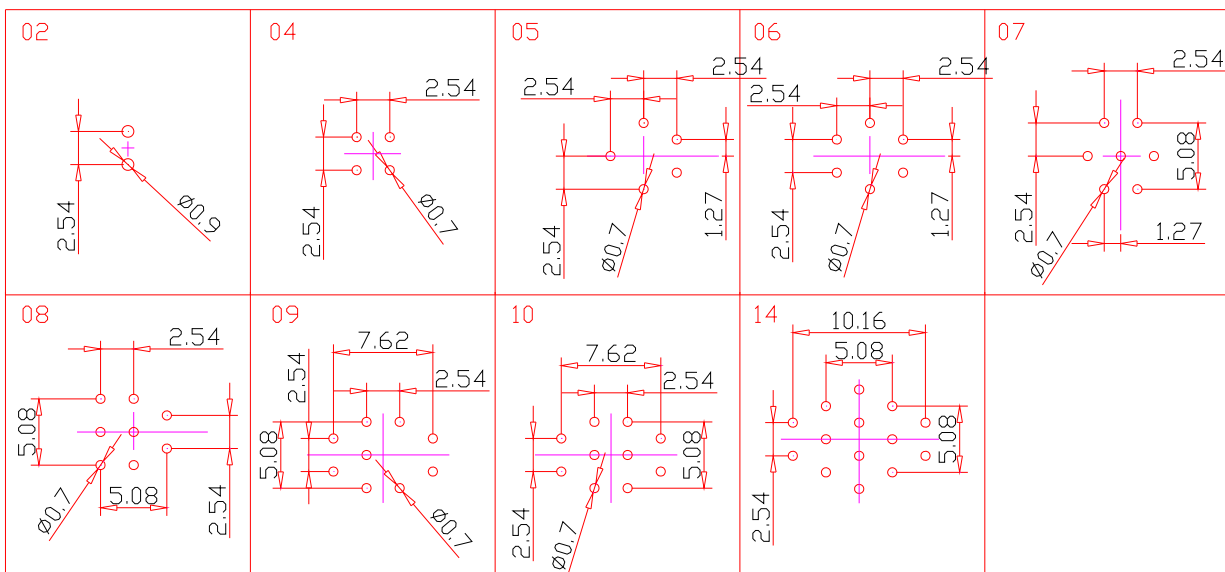
EDCON-COMPONENTS



PCB Drilling pattern dimensions



PCB (for 90°) Drilling pattern



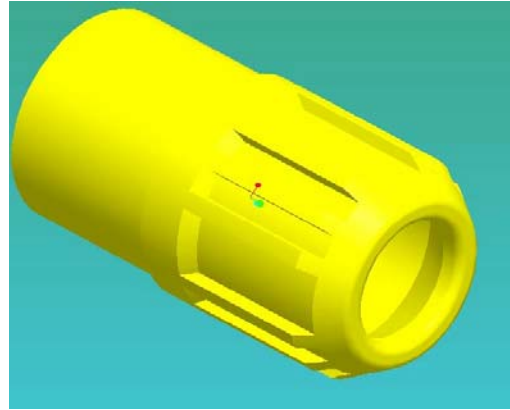
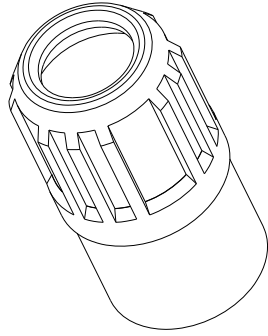
EDCON-COMPONENTS

五. Enclosure

Fixed Collet Nut colors:

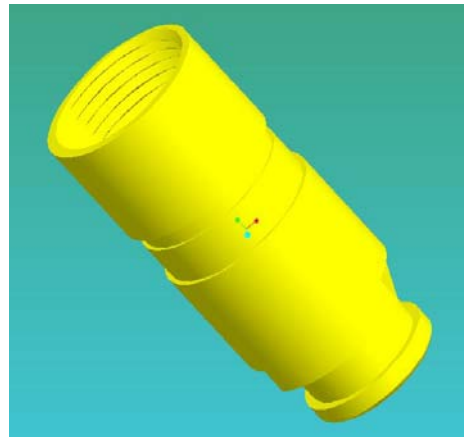
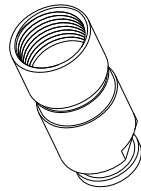
Table 3

6	L	Green
5	Y	Yellow
4	R	Red
3	G	Gray
2	B	Blue
1	H	Black
NO	P/N	Colors



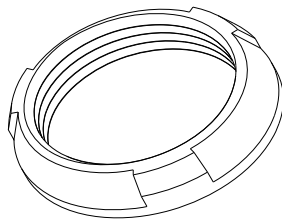
Protective backshell collet nut colors

6	L	Green
	Y	Yellow
	R	Red
	G	Gray
	B	Blue
	H	Black
NO	P/N	Colors



Receptacle nut colors : **Table 4**

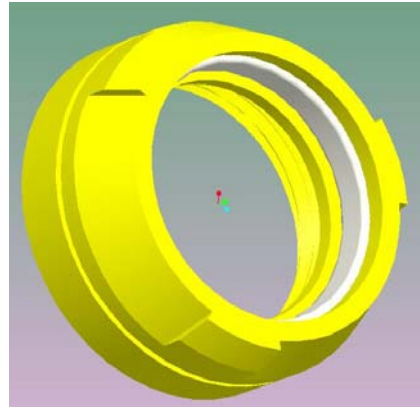
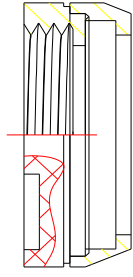
	L	Green
	Y	Yellow
	R	Red
	G	Gray
	B	Blue
	H	Black
NO	P/N	Colors



Waterproof receptacle nut colors: **Table5**

EDCON-COMPONENTS

6	L	Green
5	Y	Yellow
4	R	Red
3	G	Gray
2	B	Blue
1	H	Black
NO	P/N	Color

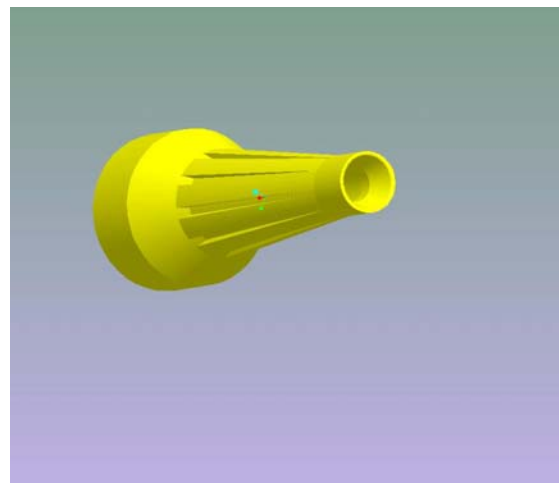
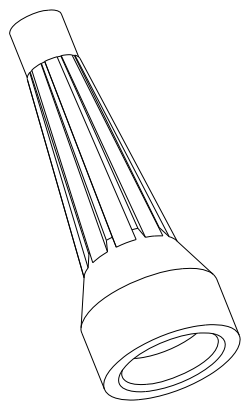


bend relief should be ordered separately, the customer can choose suitable bend relief from table according to the outside diameter of the cable.

	Part No	The external dia.of mated wire		
		$(\phi A)_{Max}$	$(\phi A)_{Min}$	ϕB
	07.HT.125	2.9	2.5	4.2
	07. HT.130	3.4	3.0	4.7
	07. HT.135	3.9	3.5	5.6
	07. HT.140	4.4	4.0	5.7
	07. HT.145	5.2	4.5	6.5
	07. HT.154	6.0	5.4	7.4
	07. HT.165	7.0	6.5	8.3

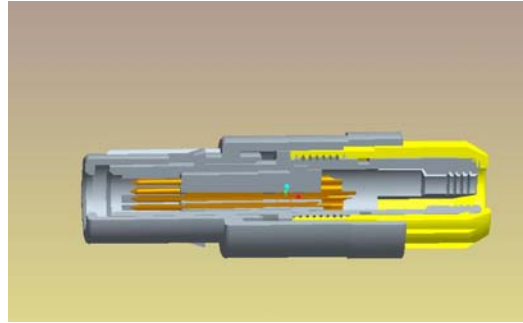
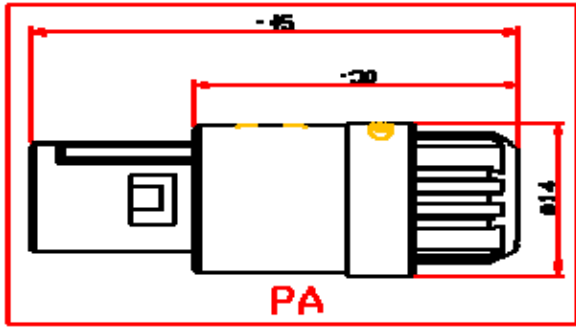
Bend Relief Colors Part No Table:

9	S	Orange
8	M	Brown
7	W	White
6	L	Green
5	Y	Yellow
4	R	Red
3	G	Gray
2	B	Blue
1	H	Black
No	Ref	Colors

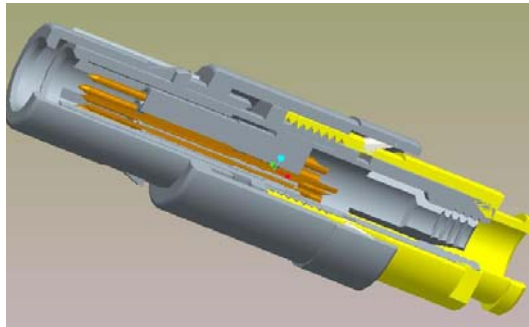
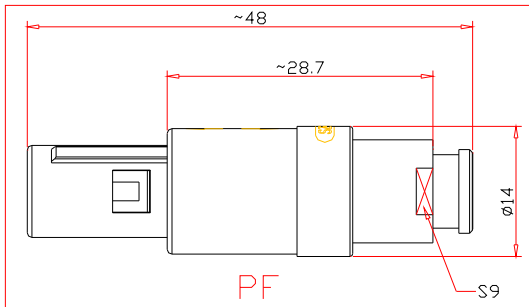


Straight plug:

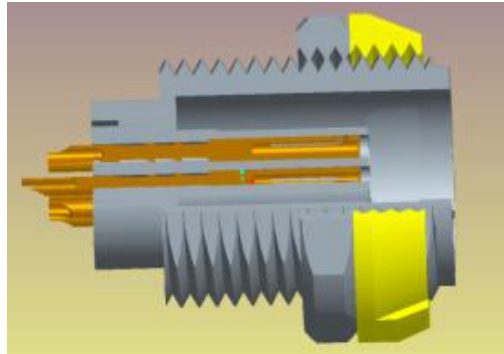
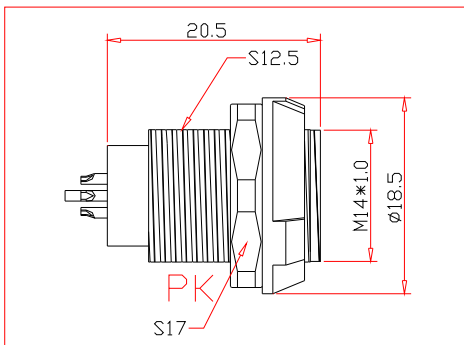
EDCON-COMPONENTS



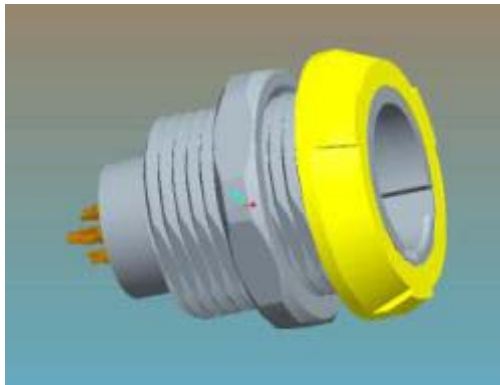
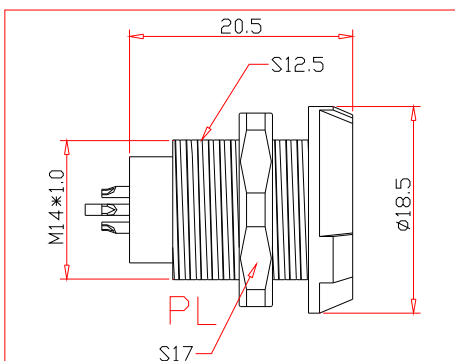
Straight plug with cable collet, waterproof



Fixed receptacle, two nut fixing

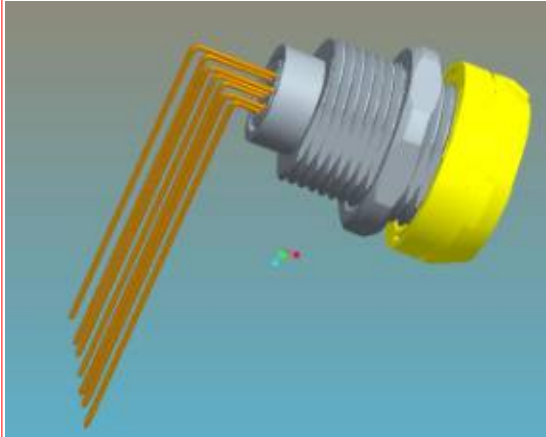
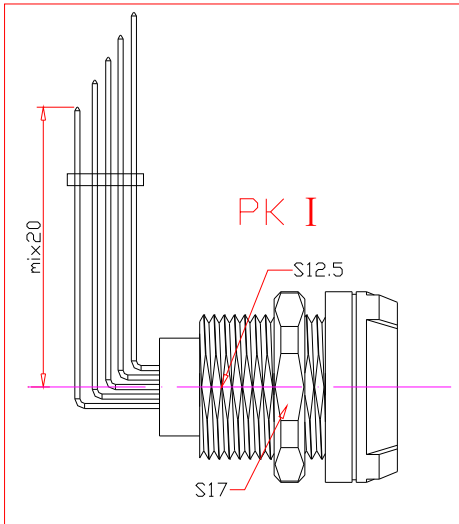


Fixed receptacle, nut fixing

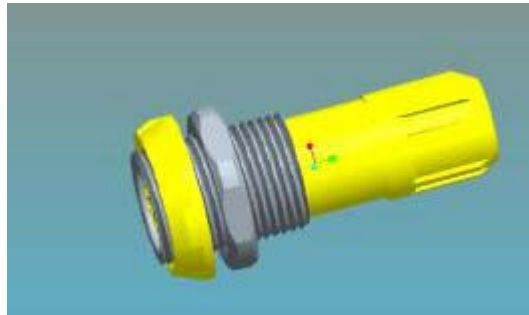
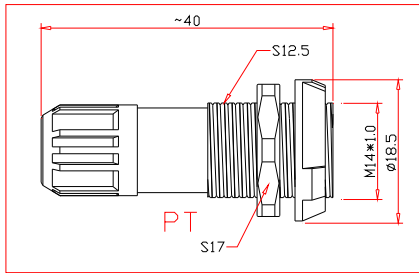


Waterproof Type 90° Switching receptacle, nut fixing

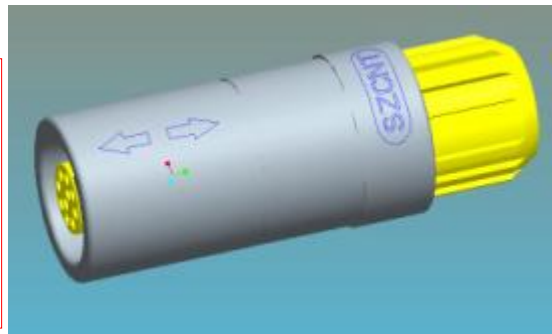
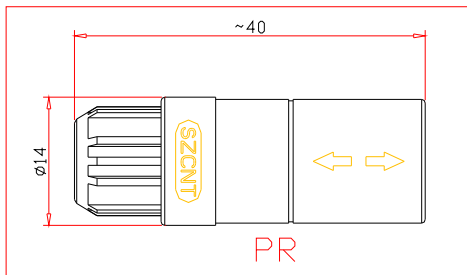
EDCON-COMPONENTS



Fixed receptacle with cable collet, two nuts for fixing.



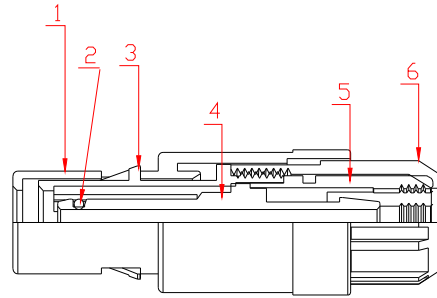
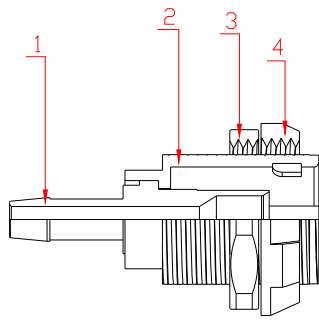
Free fixing receptacle:



Fluidic Models
Part Section Showing

EDCON-COMPONENTS

Receptacle:
 1.Fluidic tube
 2.Outershell
 3.Hexagonal nut
 4.Nut M14



Plug:
 1.Outershell
 2.O-ring
 3.Innershell
 4.Fluidic tube
 5.Cable clamp
 6.Collet nut

Fluidic Type

CNTPA II G G C 39 A

Model:(See drawing)

Keying:(Page2)

Housing: G=PSU C=PC
 T=PEI(黑色)
 S=PEI(灰色)

Nut color table:(Page3)

Collet
 diam.(cable) 39=(2.7-3.9mm)
 52=(4.0-5.2mm)
 65=(5.3-6.5mm)

Cable fixing type: C=nut+cable collet

CNTPK II G G A

Model:(See drawing)

Keying:(Page2)

Housing: G=PSU C=PC
 T=PEI(黑色)
 S=PEI(灰色)

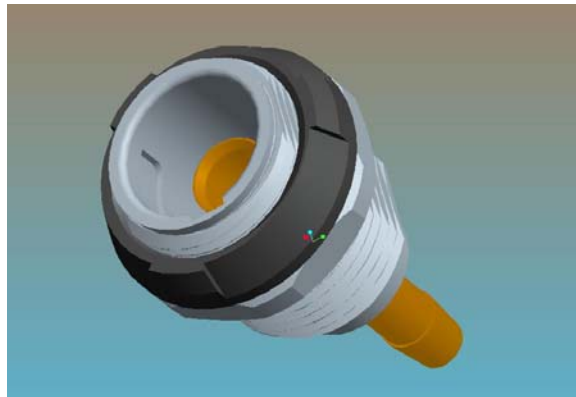
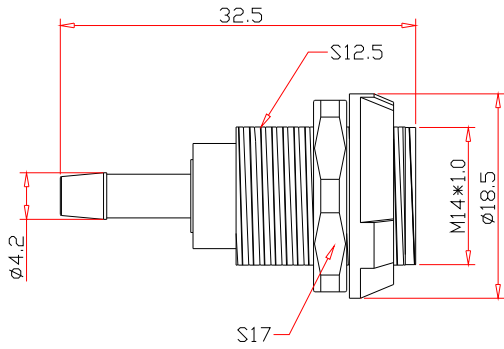
Nut color table:(Page4)

Technical Characteristics

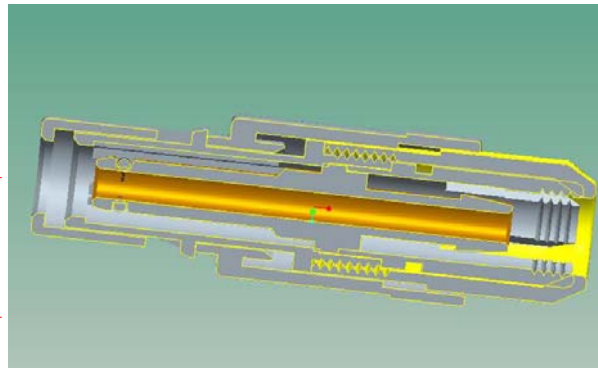
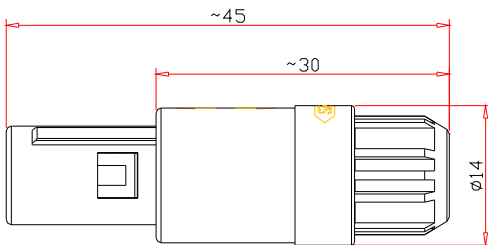
Characteristics	Value	Standards
Max.working pressure	2 bars	
Endurance	>1000(cycles)	IEC60512-5 test 9a
Working temperature range	-20°C---125°C	
Inner fluidic contact diameter	2.6mm	

EDCON-COMPONENTS

Fixed receptacle with fluidic contact, with two nuts

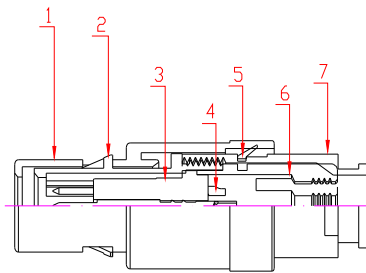
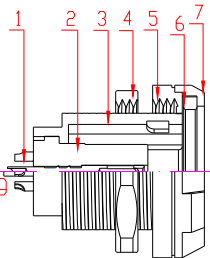


Fluidic plug



Watertight models (IP64)

Receptacle:
 1. Female
 2. Insulator
 3. Outershell
 4. Hexagonal nut
 5. Nut M14
 6. Waterproof ring
 7. Nut front cap

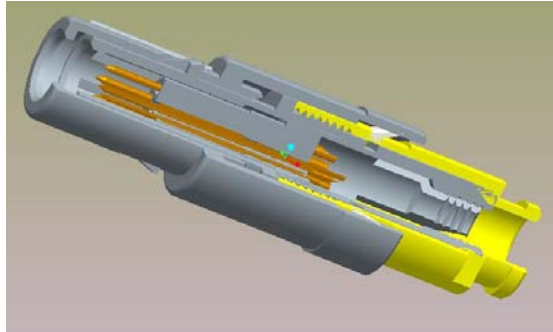
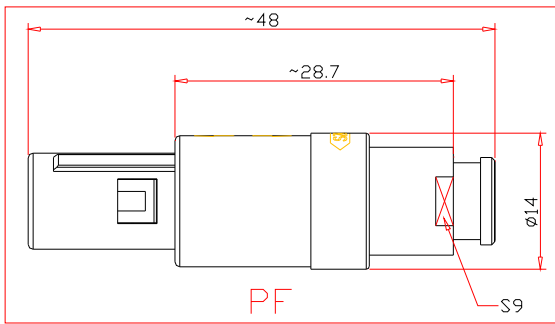


Plug:
 1. Outershell
 2. Innershell
 3. Insulator
 4. Male
 5. Waterproof ring
 6. Cable clamp
 7. Collet nut

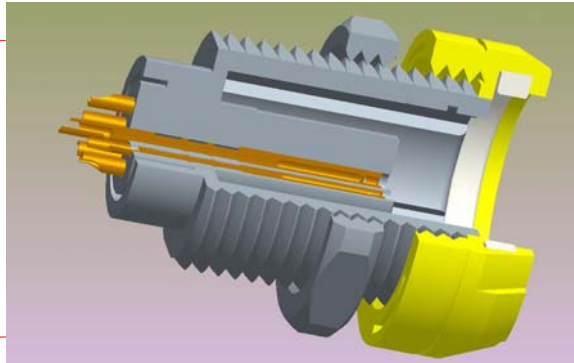
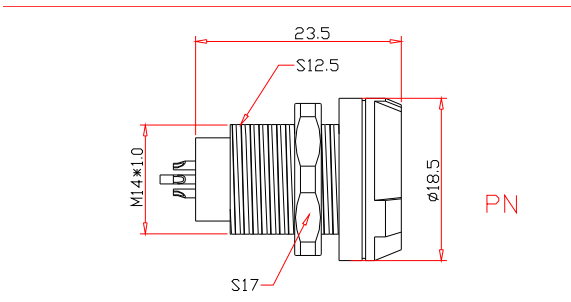
Watertight
 Models

PF (Waterproof Receptacle with cable cullet)

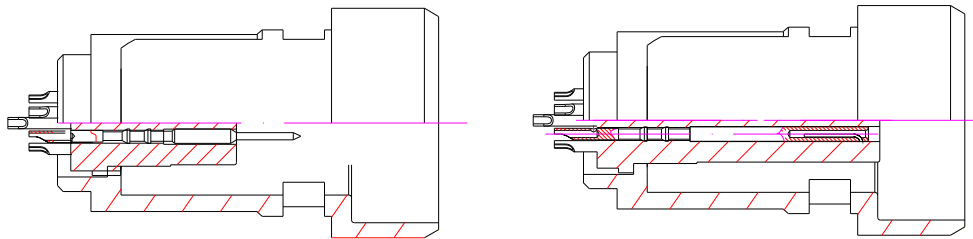
EDCON-COMPONENTS



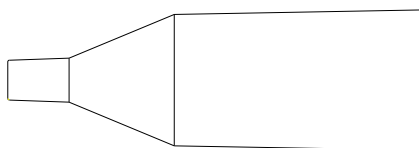
PN (Waterproof Receptacle)



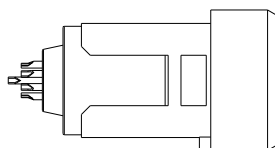
Disposable Type (Male /Female)



PY



PYG



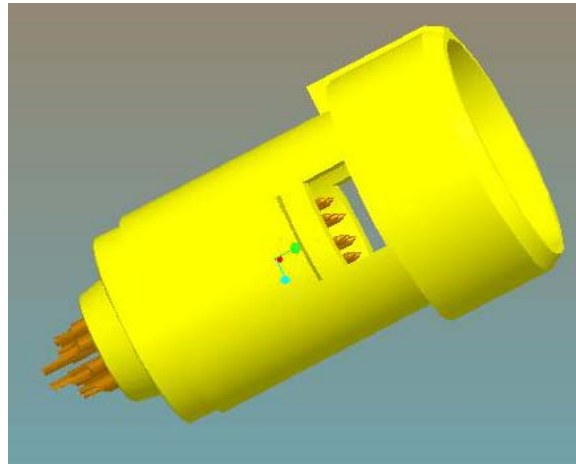
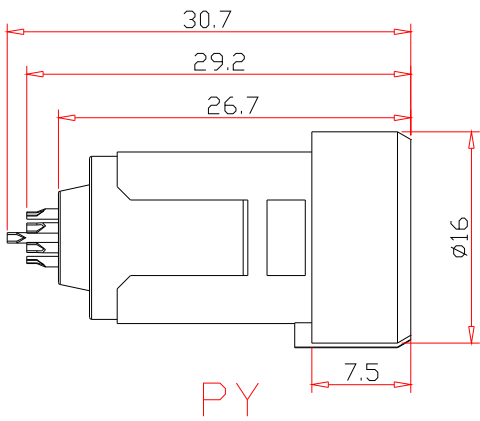
PY



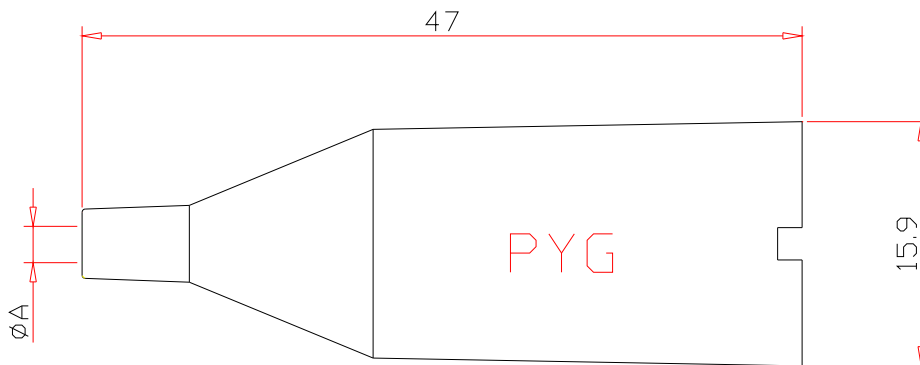
PA

EDCON-COMPONENTS

PY(Disposable Receptacle)



PYG (Back shell)



Part No	Colors	ØA	Material
PYG.02.5YG.0ABS	Gray	2.5	ABS
PYG.02.7YG.0ABS	Gray	2.7	ABS
PYG.03.8YG.0ABS	Gray	3.8	ABS