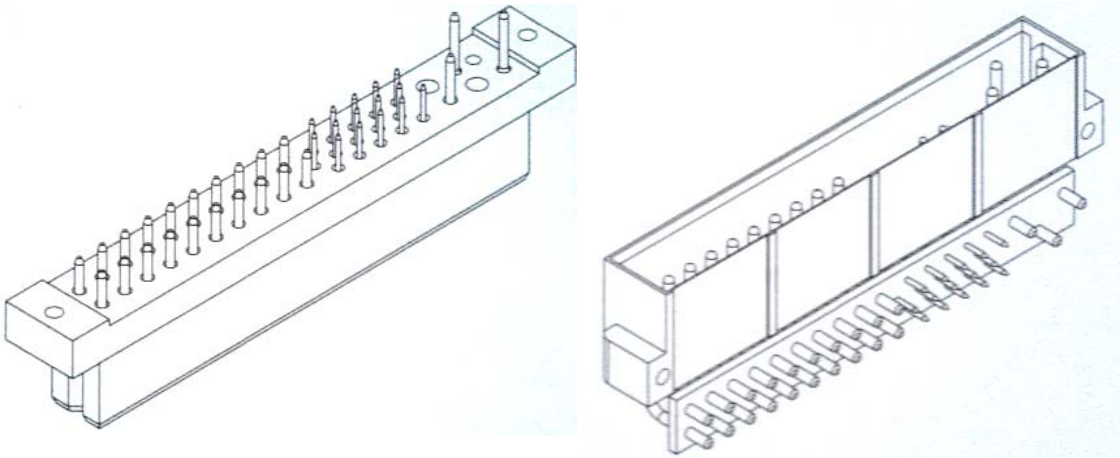


EDCON-COMPONENTS

T85001 Series Board to Board Connector



I. Overview

T85001 series connectors are provided with compact structure and multiple cores and are applicable to the electrical connection between PCB and PCB.

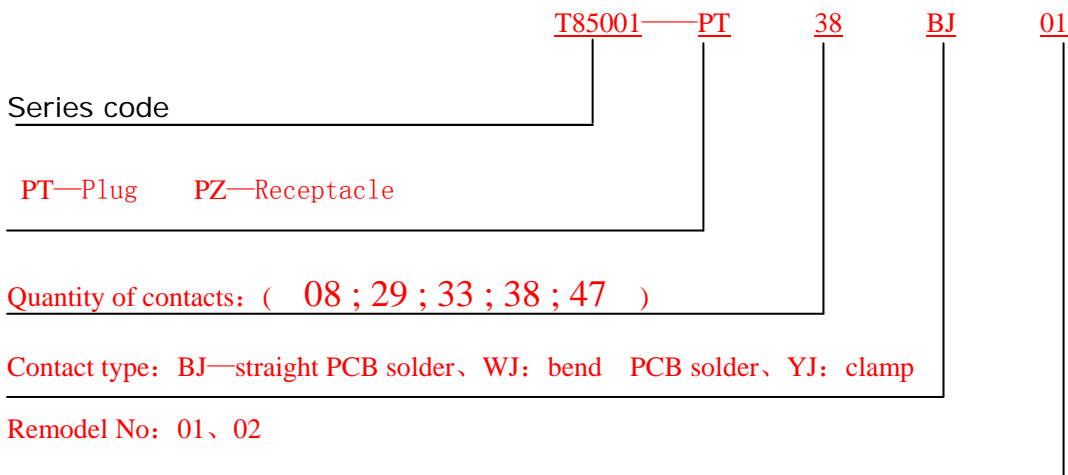
II. Main Features

1. Mixed filling of power supply and electric signal contacts
2. In accordance with ROHS instruction
3. Quantity of contacts can be decided according to the demands of the user

III. Environmental Performances

1. Temperature: $-55^{\circ}\text{C} \sim +125^{\circ}\text{C}$
2. RH: 95% at 40°C
3. Vibration: Frequency 10~150Hz acceleration 196m/s^2
4. Impact: acceleration 490 m/s^2
5. Mechanical life: 500 times

IV. Denomination of models



EDCON-COMPONENTS

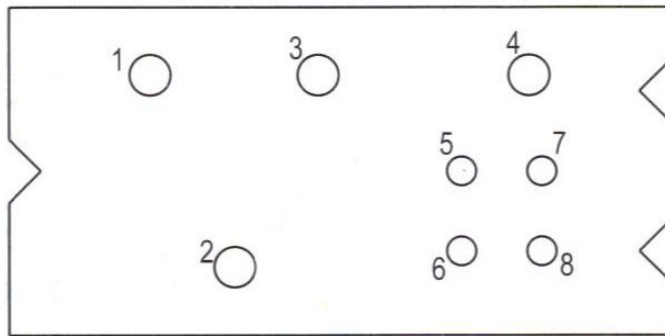
V. Main technical performances

Molded	Quantity of contacts	Contact size	Rated current	Contact resistance	Insulation resistance	Withstand voltage	Working voltage	Hot plugging and drawing
T85001	29	8#	60	0.005	5000	2000	600	250VAC 时 25V
		12#	40	0.005				250VAC 时 25V
		20#	5	0.007				/
	33.8	12#	40	0.005				250VAC 时 25V
		16#	20	0.005				/
Molded	Quantity of contacts	Contact size	Rated current	Contact resistance	Insulation resistance	Withstand voltage	Working voltage	Remarks
T85001	38	20#	5	0.004	5000	1000	333	21-35Hole positions
		16#	40	0.007		3000	1000	36,37,38 Hole positions
			28	0.007		1500	500	1-20 Hole positions
	47	22#	40	0.004		1000	333	21-44 Hole positions
				0.007		3000	1000	45,46,47 Hole positions
		16#	20	0.007		1500	500	1-20 Hole positions

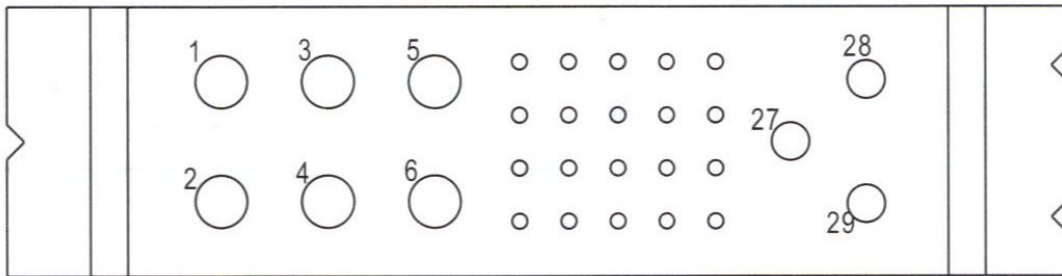
VI. Contacts Arrangement (Diagrams of contacts at the insertion surface after pins are installed on the products)

EDCON-COMPONENTS

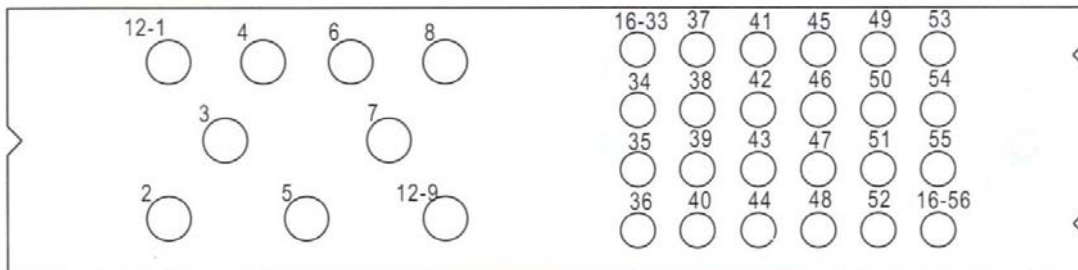
T85001-8



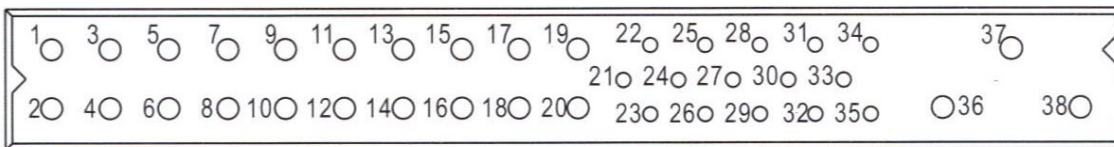
T85001-29



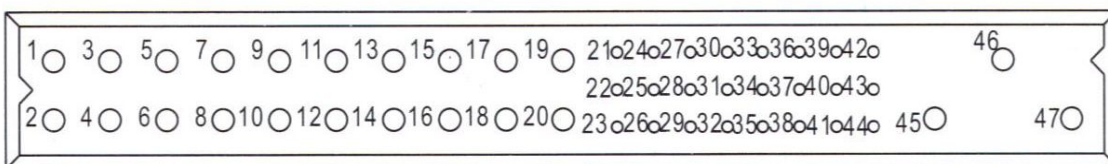
T85001-33



T85001-38



T85001-47



VII. outside Dimensions

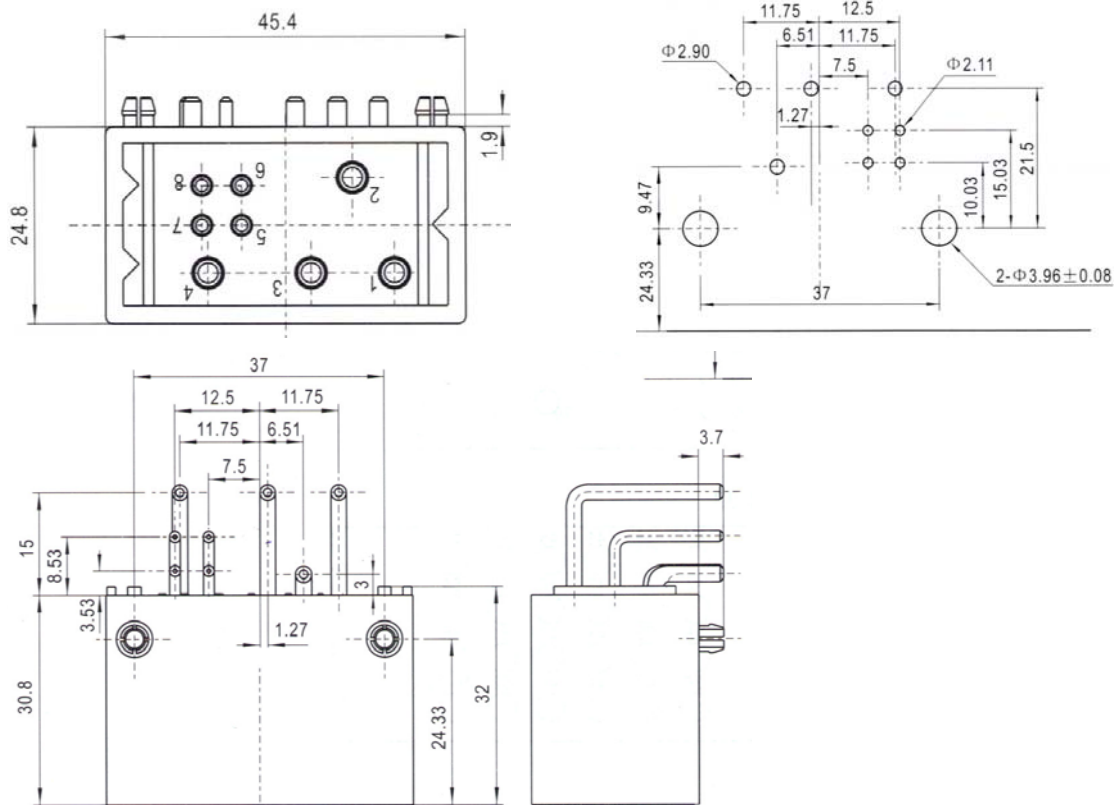
EDCON-COMPONENTS

T85001-PT08.WJ

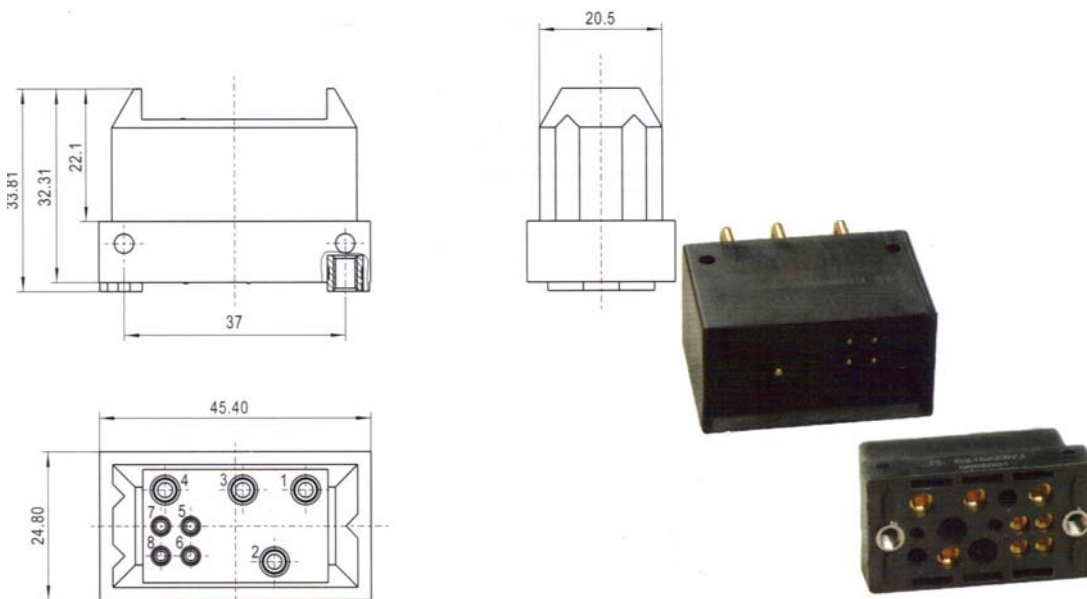
Bent PCB solder plug

PCB drilling pattern

(Recommended PCB thickness 1.7~1.9mm)

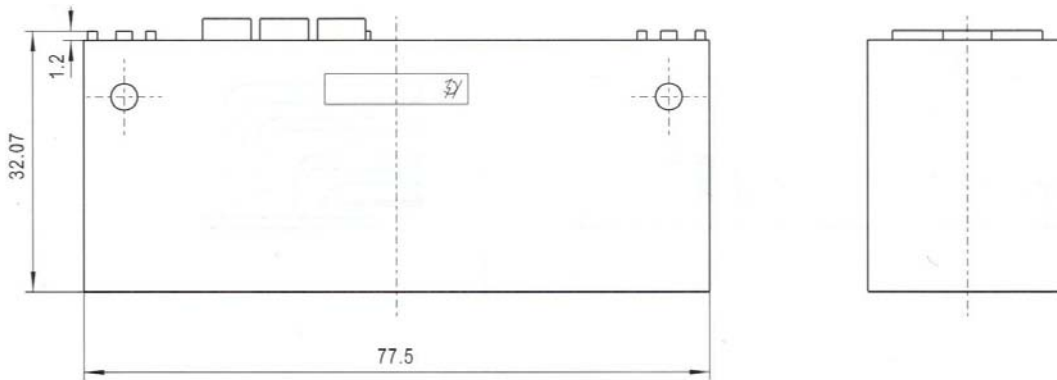
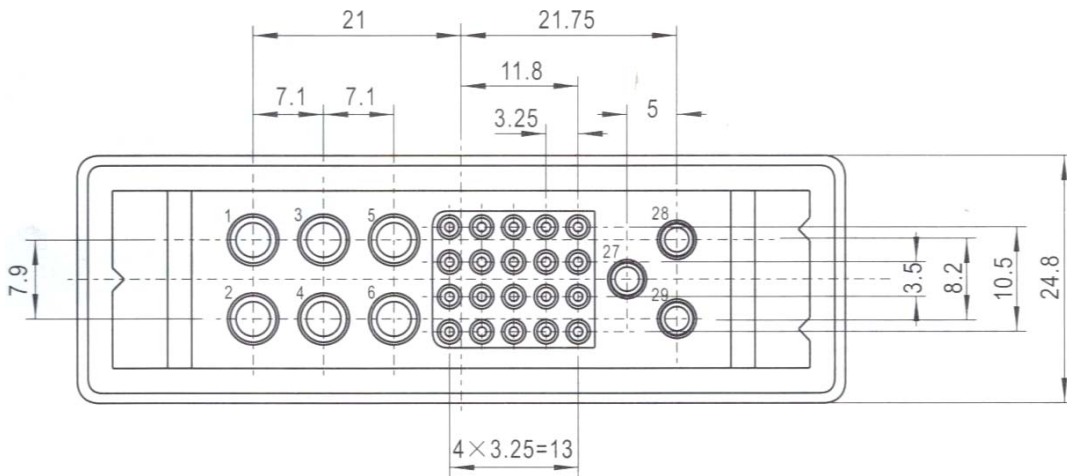


T85001-8P Compression solder socket

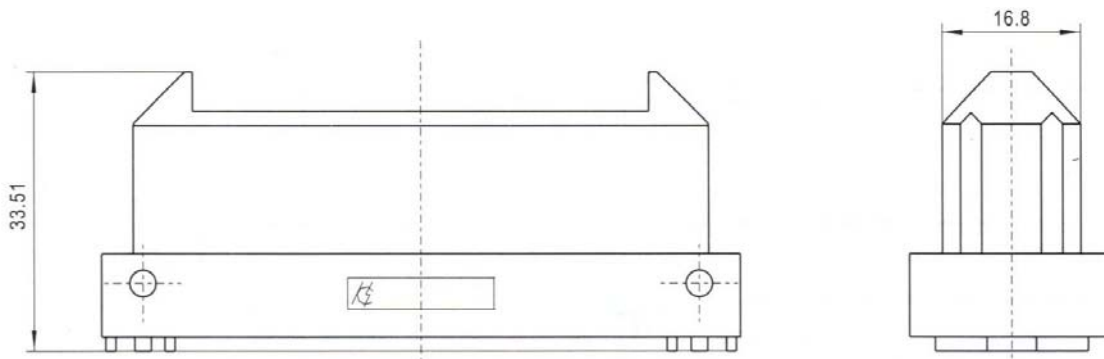


EDCON-COMPONENTS

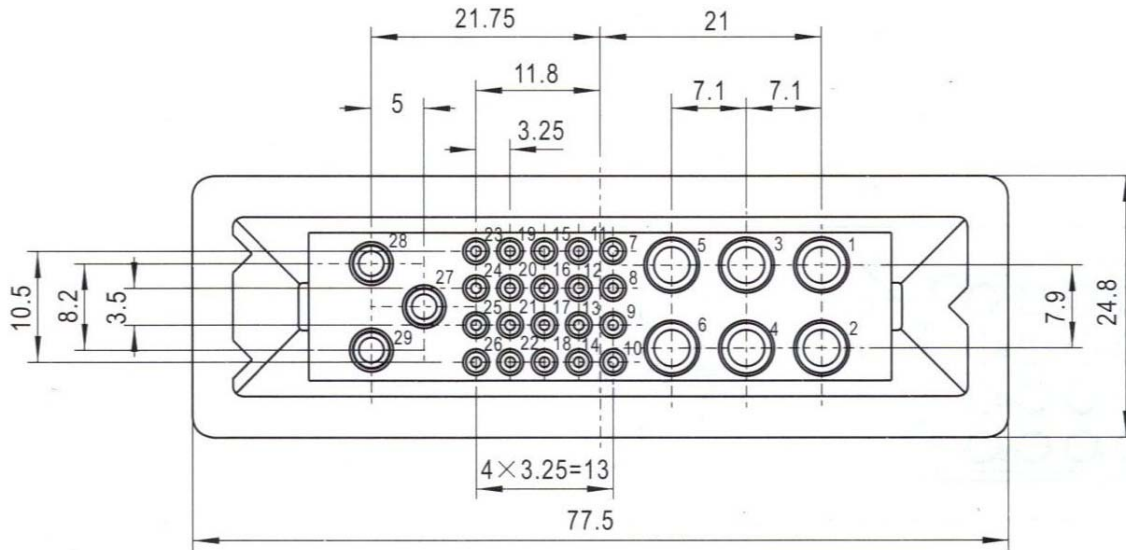
T85001-PT29.WJ Bent PCB solder plug



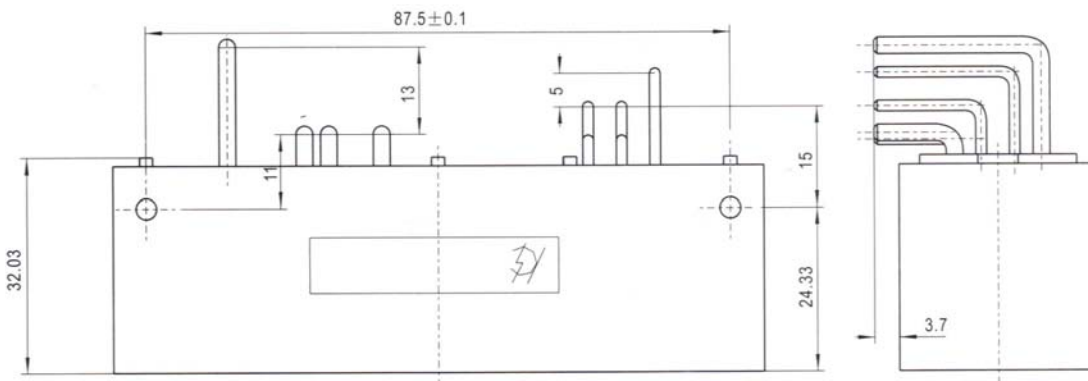
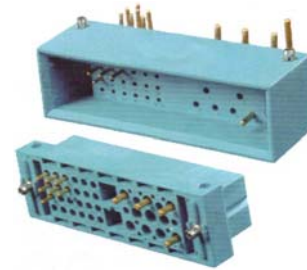
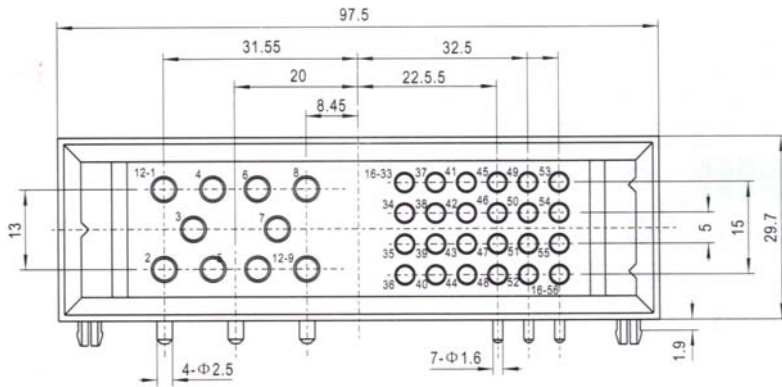
T85001-PZ29.YJ Clamp receptacle



EDCON-COMPONENTS

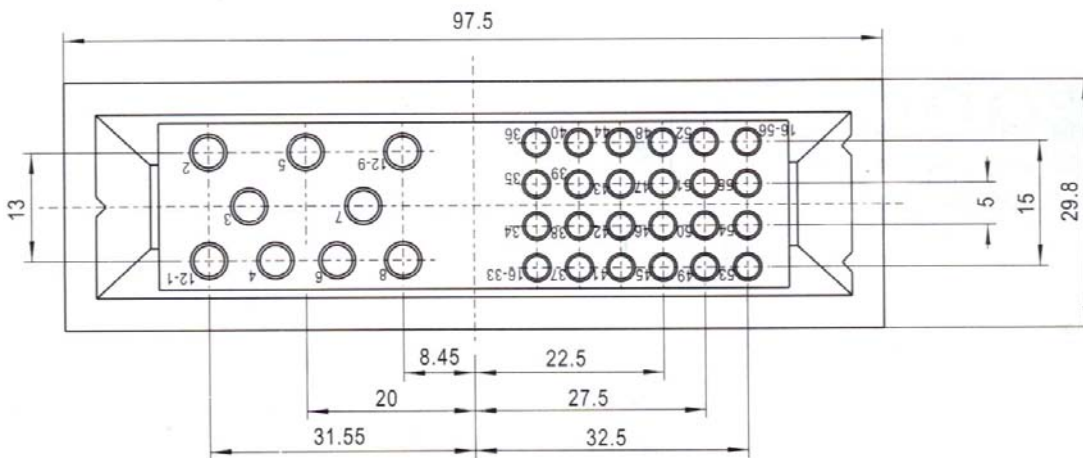
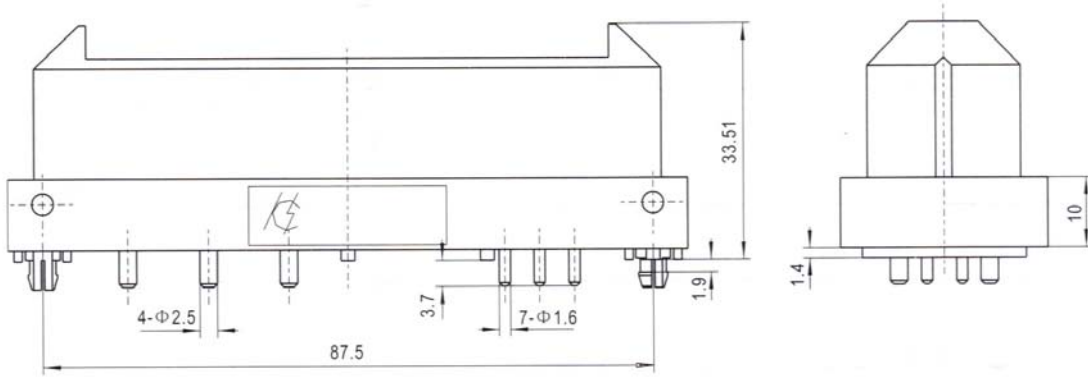


T85001-PT33.WJ Bent PCB solder plug



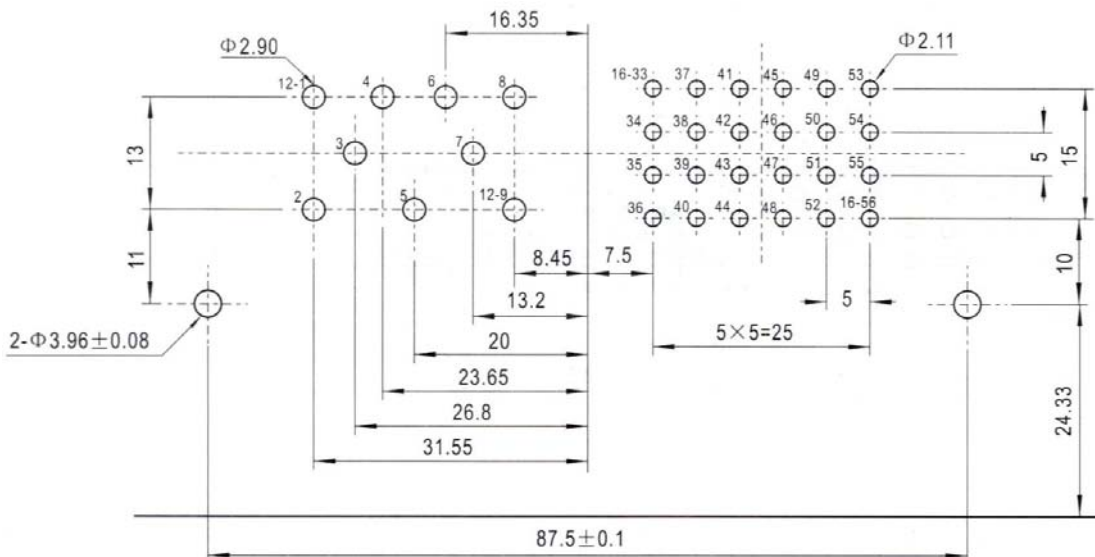
T85001-33P Straight PCB welded plug

EDCON-COMPONENTS



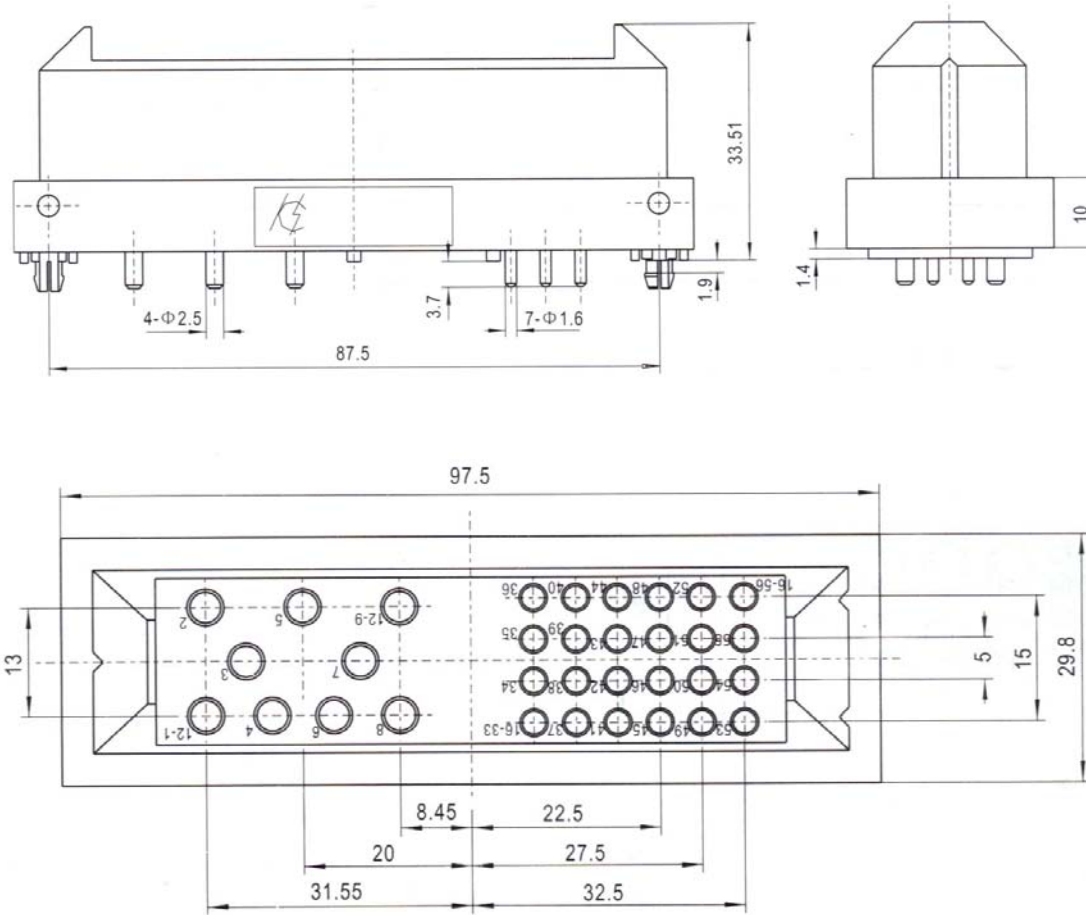
T85001-PT33.WJ

(Recommended PCB thickness 1.7~1.9mm)

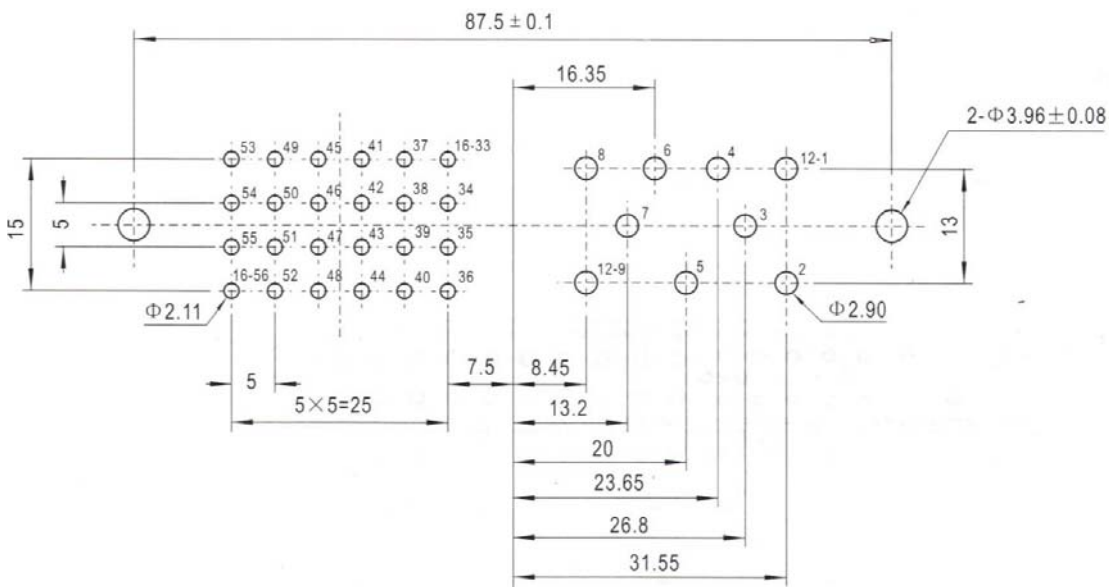


EDCON-COMPONENTS

T85001-PZ33.BJ Straight PCB solder receptacle

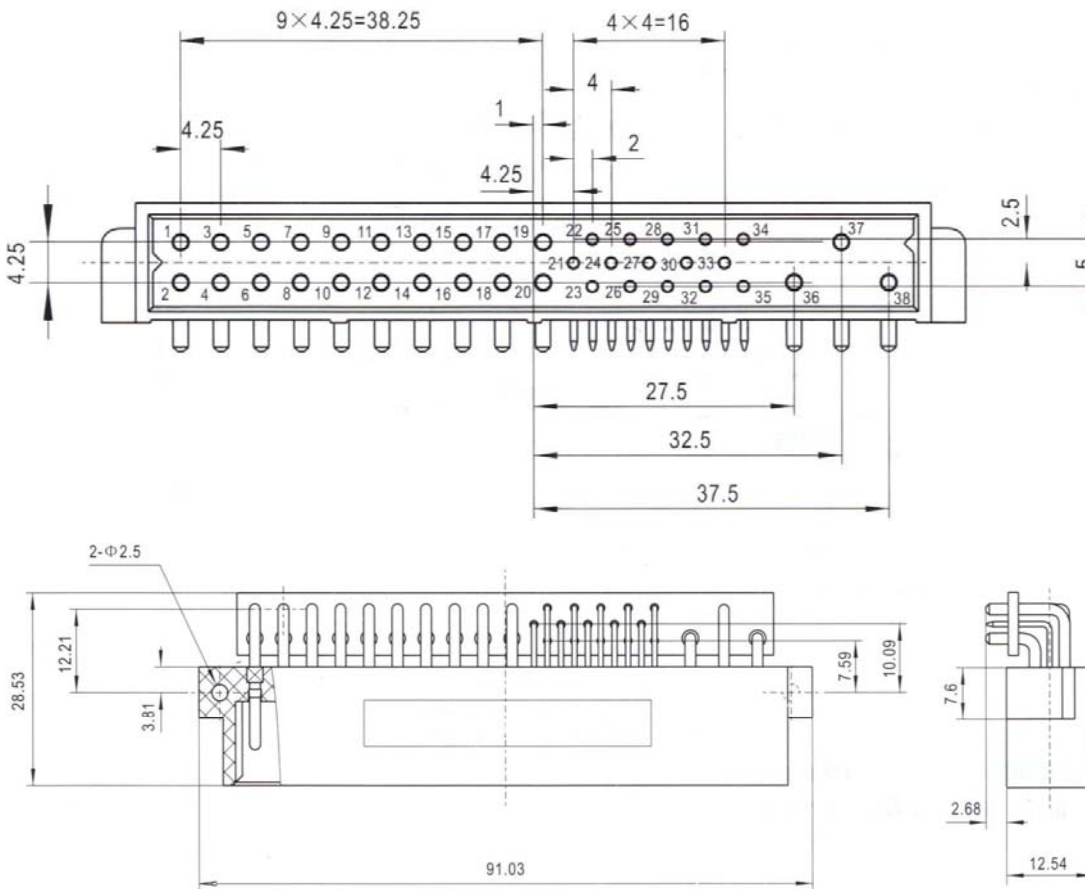


T85001-PZ33.BJ
(Recommended PCB thickness 1.7~1.9mm)

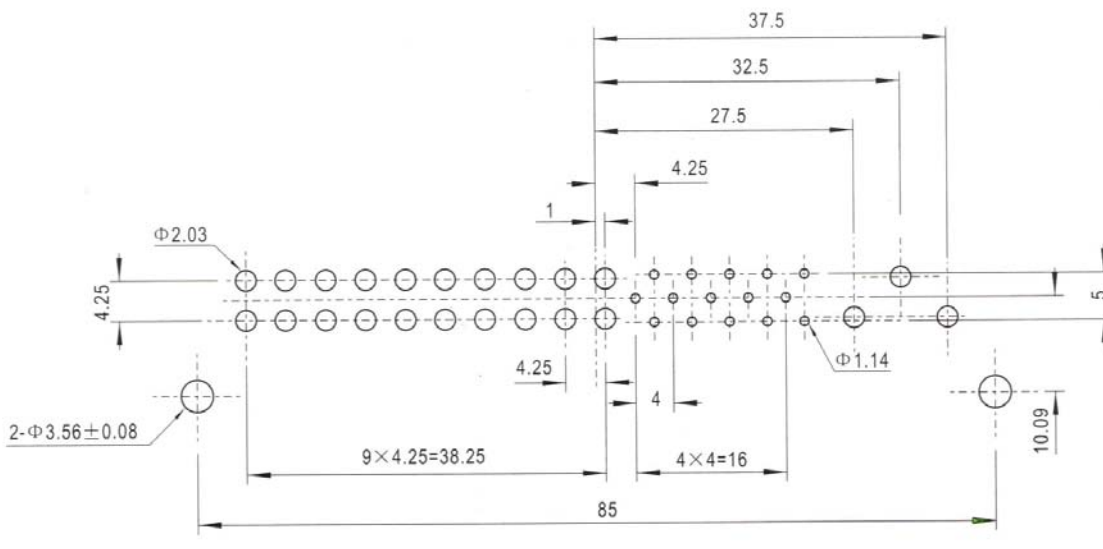


EDCON-COMPONENTS

T85001-PT38.WJ Bent PCB solder plug

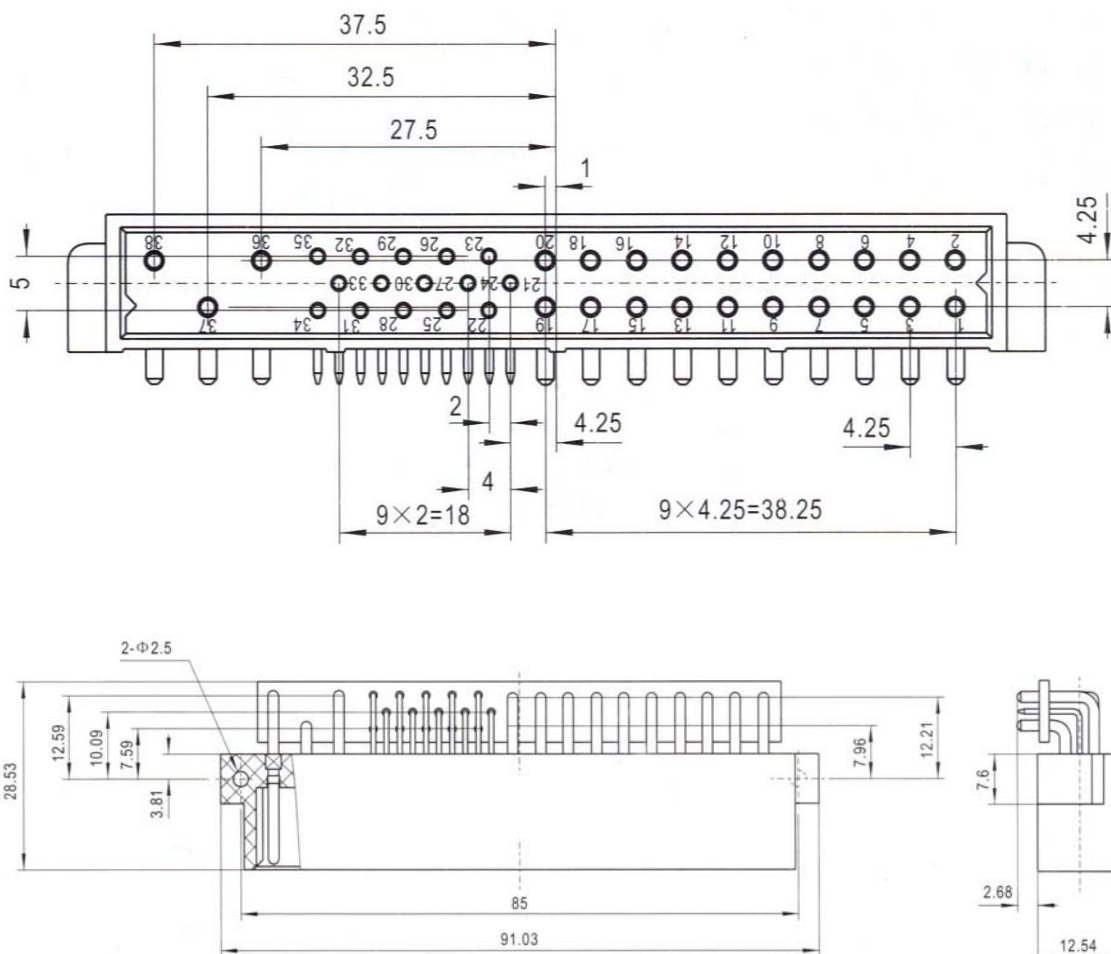


T85001-PT38.WJ
(Recommended PCB thickness 2.0mm)



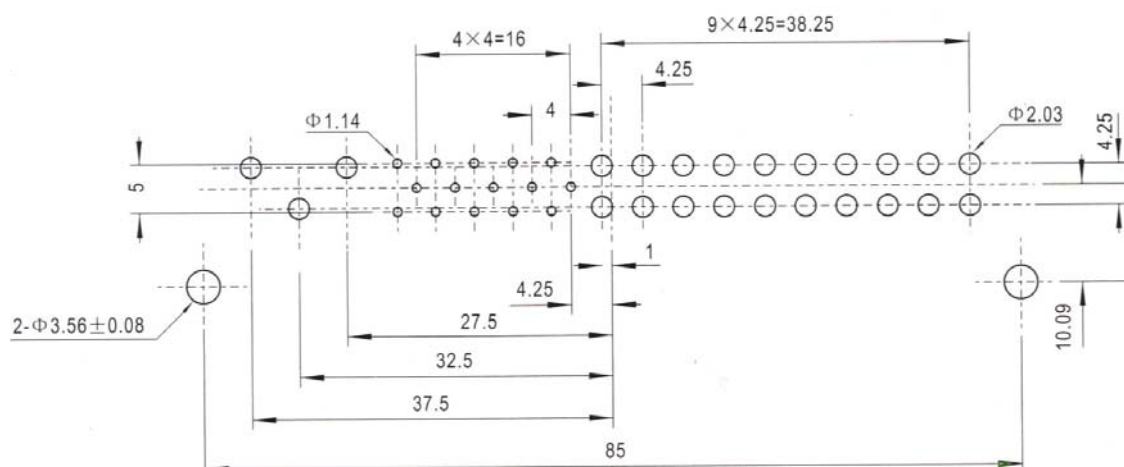
EDCON-COMPONENTS

T85001-PT38.WJ-01 Bent PCB solder plug



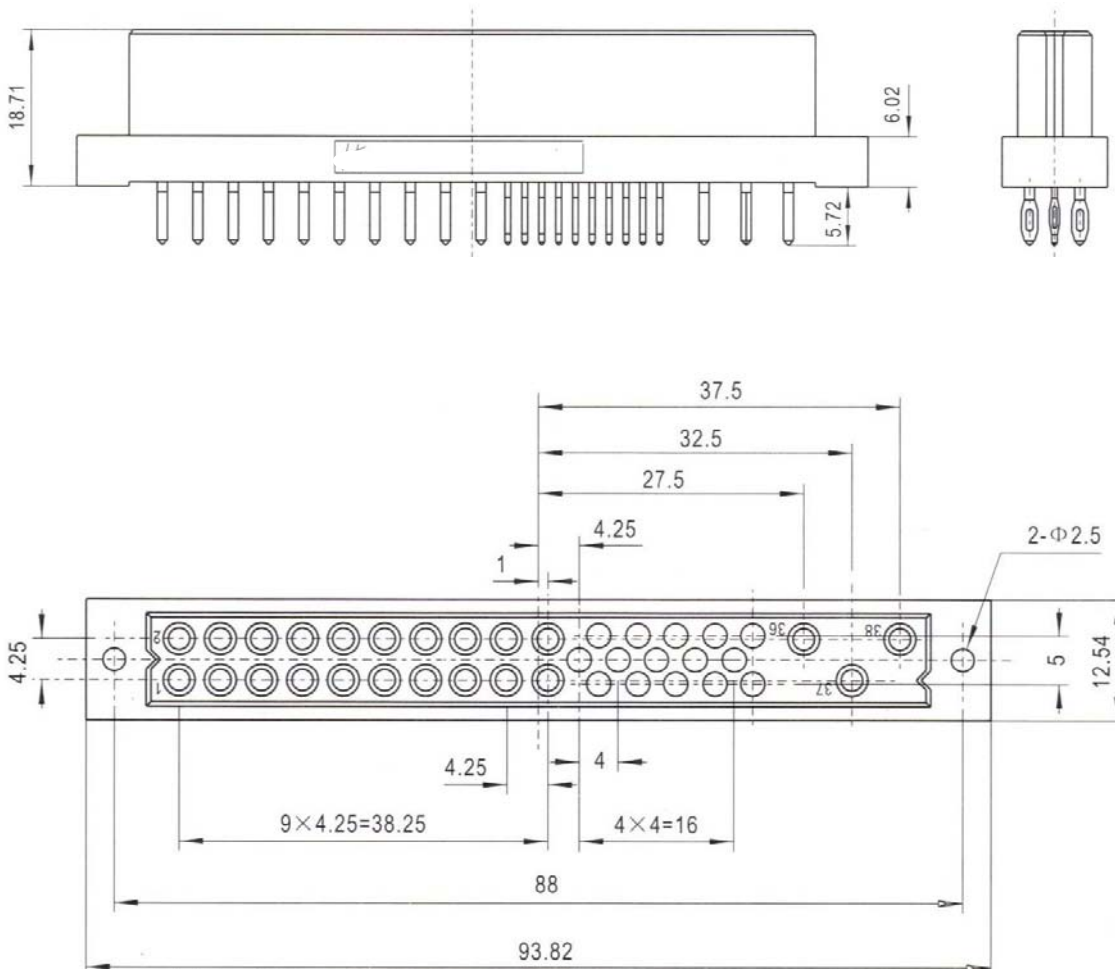
T85001-PT38.WJ-01

(Recommended PCB thickness 2.0mm)



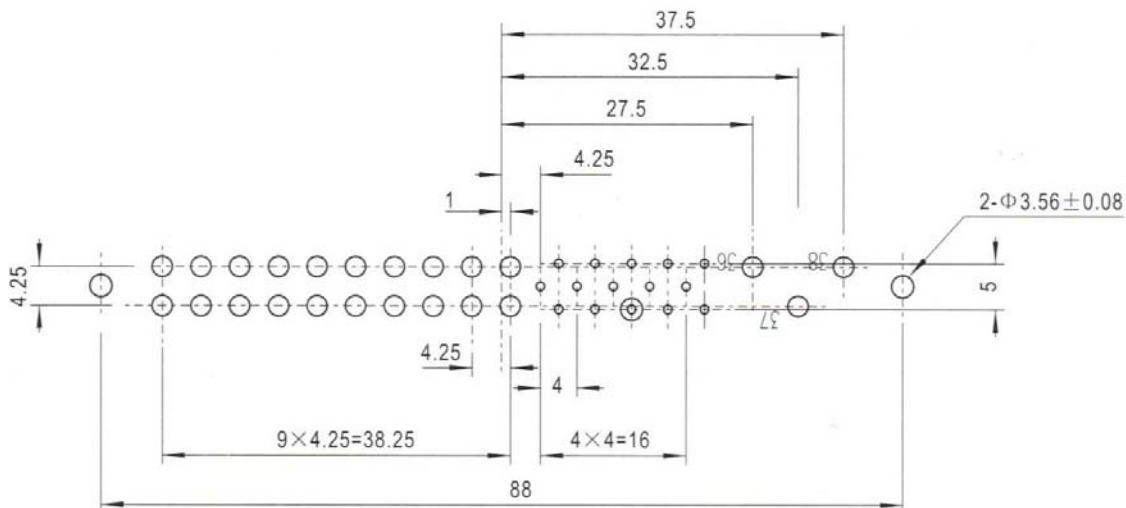
EDCON-COMPONENTS

T85001-PZ38.BJ Straight PCB solder receptacle

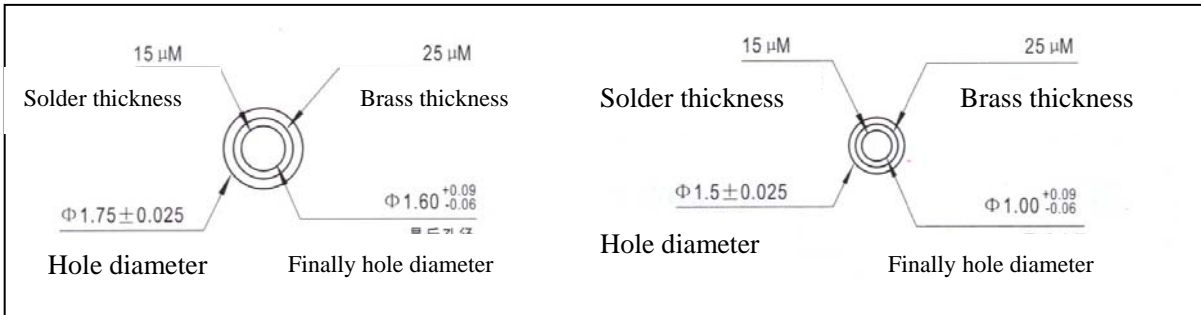


T85001-PZ38.BJ

(Recommended PCB thickness 2.29-4.45mm)



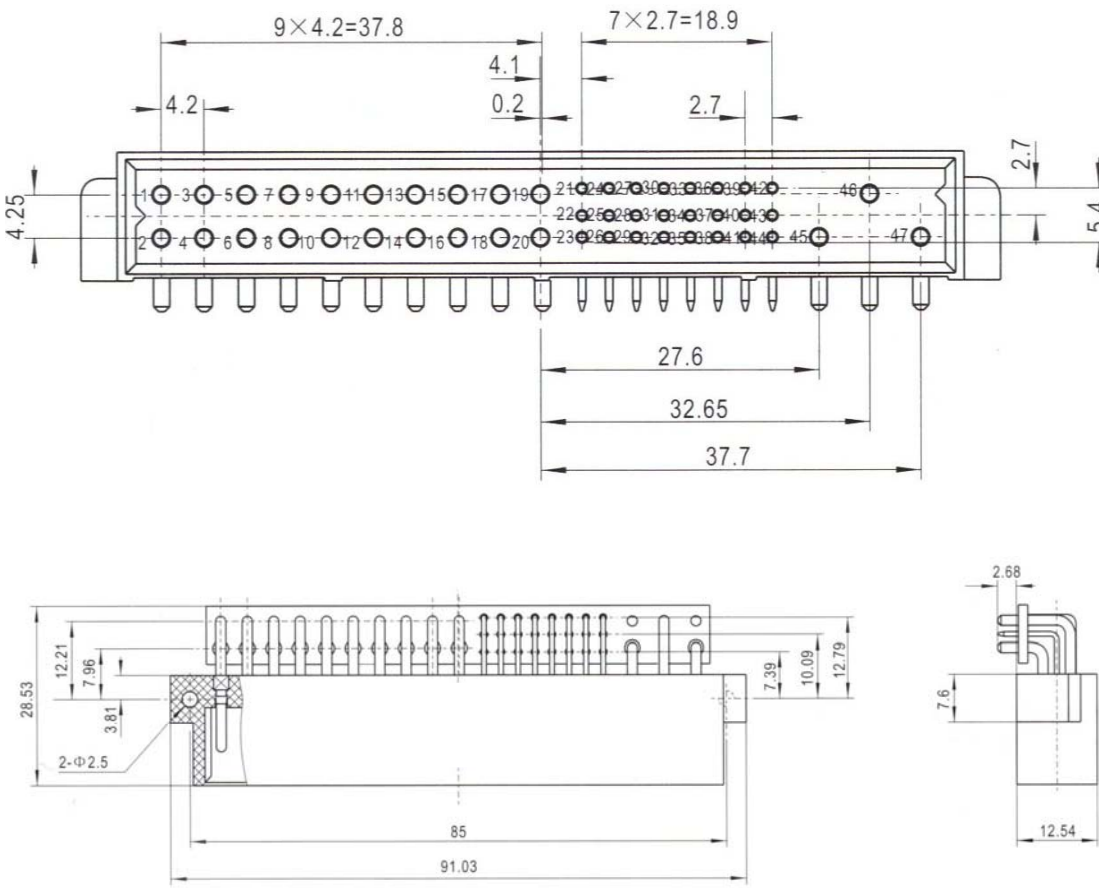
EDCON-COMPONENTS



16# free solder PCB drilling pattern dimension

20#/22# free solder PCB drilling pattern dimension

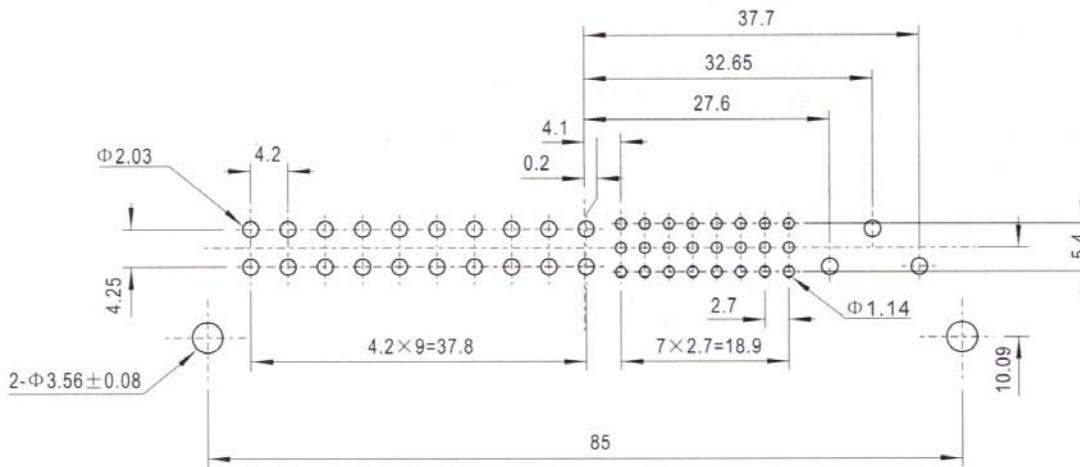
T85001-PT47.WJ Bent PCB solder receptacle



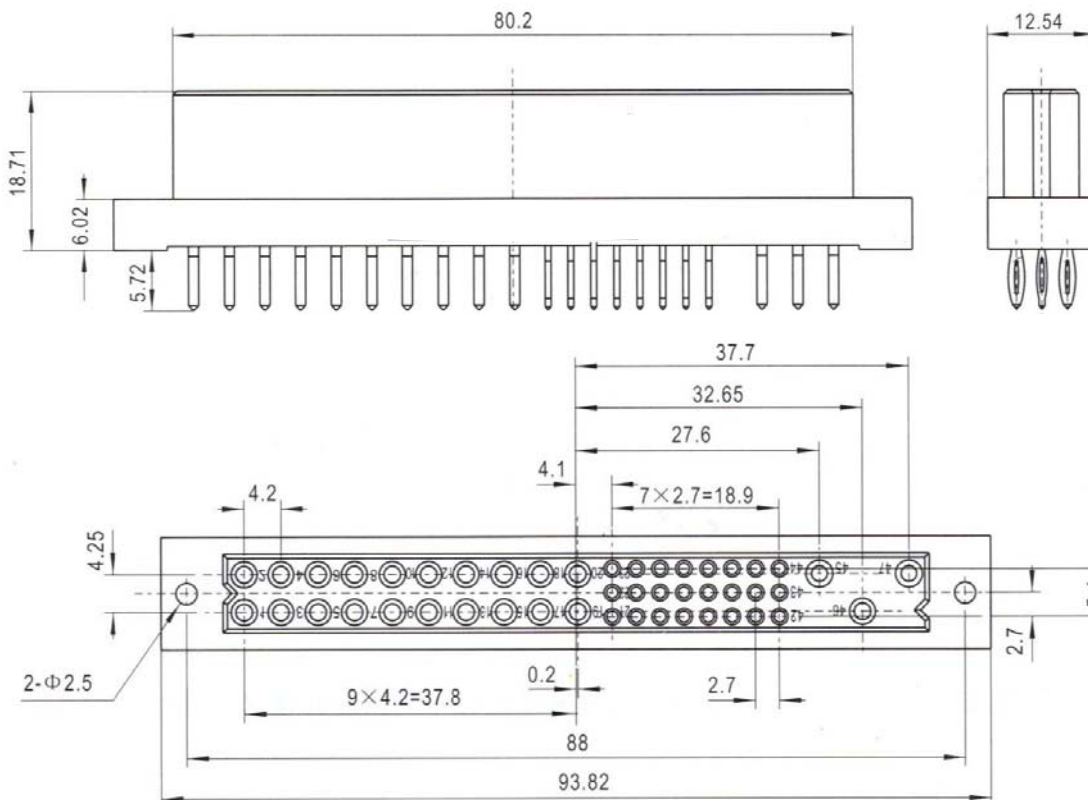
EDCON-COMPONENTS

T85001-PT47.WJ

(Recommended PCB thickness 2.00mm)



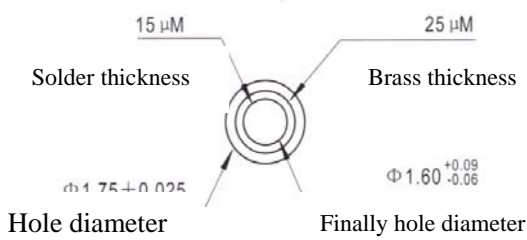
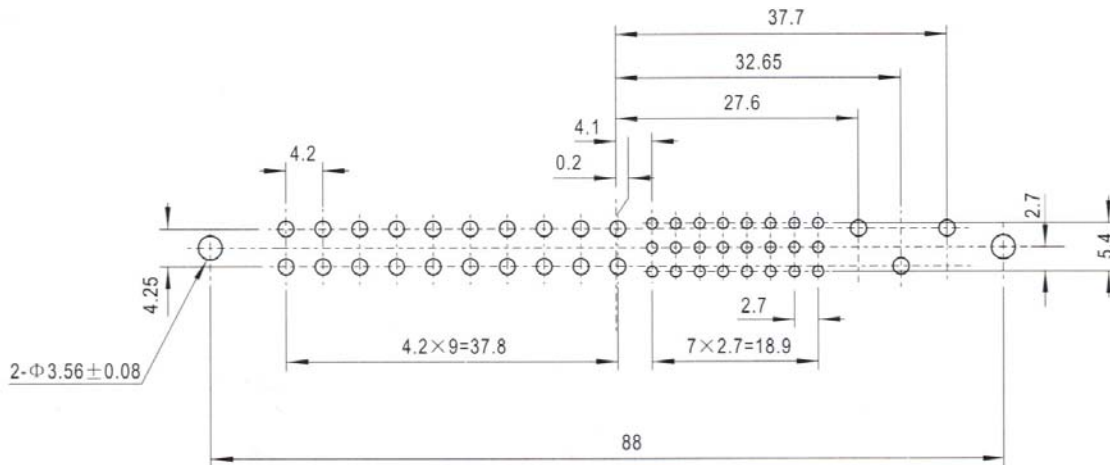
T85001-PZ47.BJ Straight PCB solder receptacle



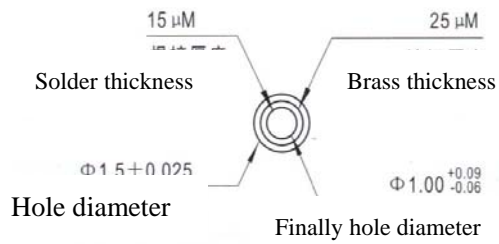
T85001-PZ47.BJ

(Recommended PCB thickness 2.29-4.45mm)

EDCON-COMPONENTS



16# free solder PCB drilling pattern dimension



20#\22# free solder PCB drilling pattern dimension