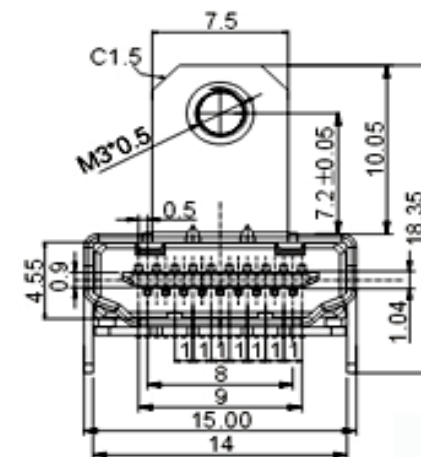
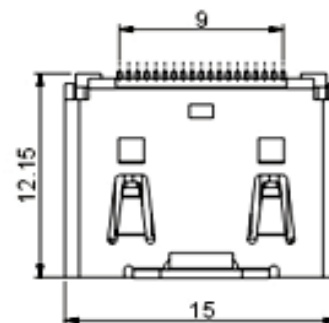
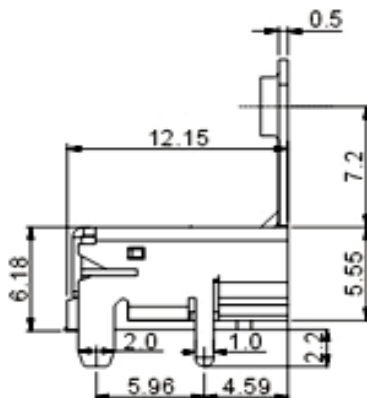
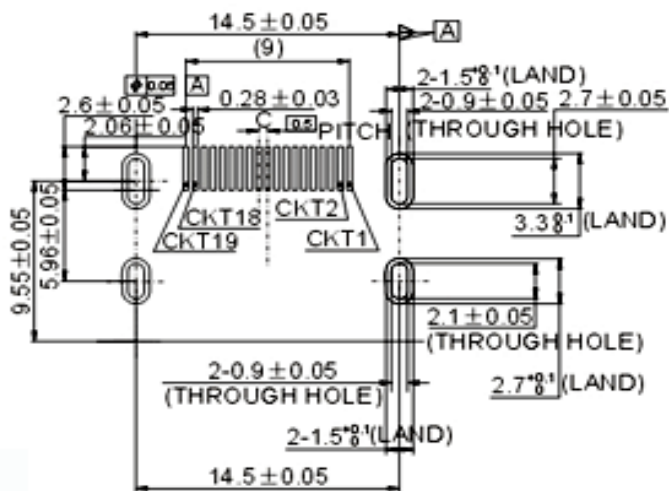


# EDCON-COMPONENTS



## Technical Discription

Temperature Range: . -10°C ~ +60°C  
 Rated Load DC12V 0,5A  
 Contact Resistance: ≤ 0,03 Ω  
 Insulation Resistance: ≥ 100M Ω  
 Withstanding Voltage: AC 250V / 50Hz) 1 min.  
 Insertion and Extraction Force: 100~300gr. F  
 Lifetime: 100000 cycles



<b>SATA Connector</b>	
Part No.:	<b>T81007</b>
Customer:	

DRW:	Jason	CHKD	Wilson	MATL:	Wilson	TOLERANCE	Mason	DATE	10.04.2009
APPD:	Schumi			FINISH	Jamy		Sheet No.		1 from 3

# EDCON-COMPONENTS



## Ordering Informations

Serie	Pos.	ROHS	Packing							
<b>T81007</b>	<b>19</b>	<b>R</b>	<b>BU</b>							

<b>19=</b> 19Pos.	<b>R=</b> ROHS Conform <b>N=</b> NON ROHS Conform	<b>BU=</b> Bulk Ware
-------------------	--	----------------------

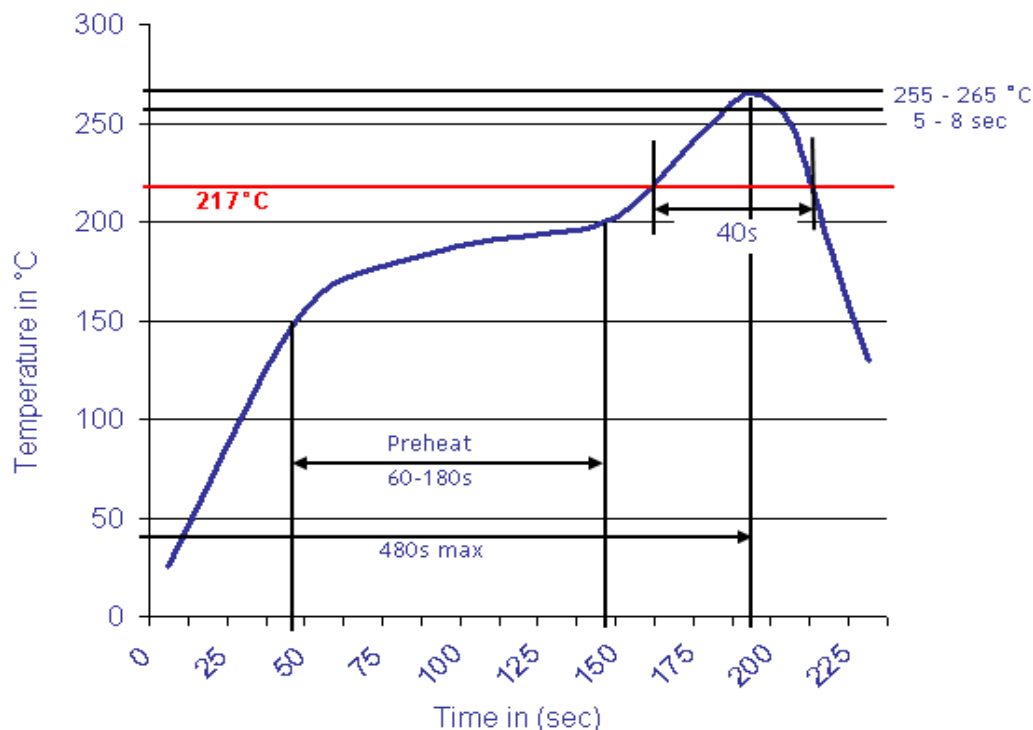
<b>SATA Connector</b>	
Part No.:	<b>T81007</b>
Customer:	

DRW:	Jason	CHKD	Wilson	MATL:	Wilson	TOLERANCE	Mason	DATE	10.04.2009
APPD:	Schumi			FINISH	Jamy		Sheet No.	2 from 3	



Lead Free Soldering Curve

Classification Reflow Profile (JEDEC J-STD-020C)



<b>SATA Connector</b>	
Part No.:	<b>T81007</b>
Customer:	

DRW:	Jason	CHKD	Wilson	MATL:	Wilson	TOLERANCE	Mason	DATE	10.04.2009
APPD:	Schumi			FINISH	Jamy		Sheet No.	3 from 3	