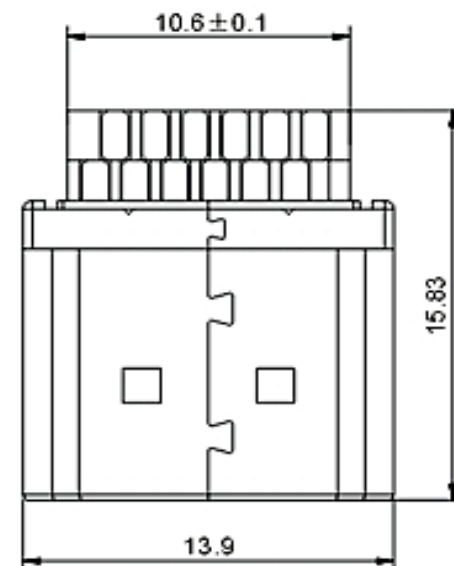
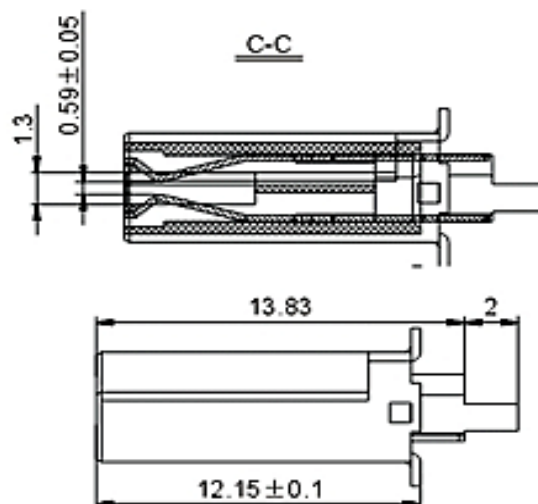
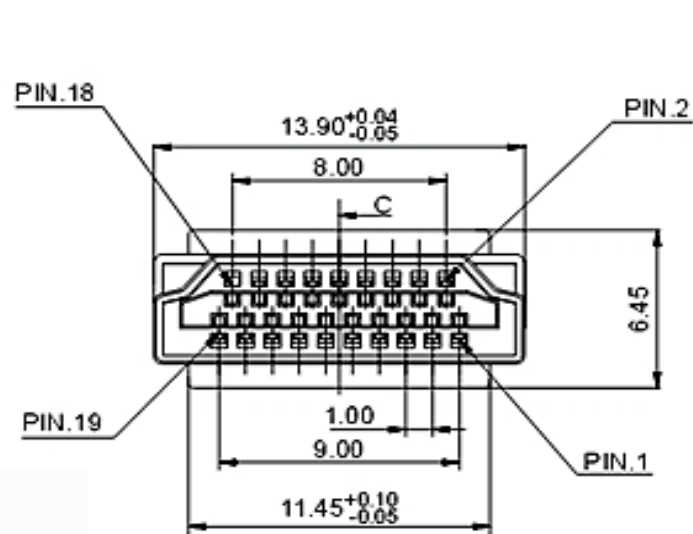


EDCON-COMPONENTS



Technical Discription

Temperature Range:	. -10°C ~ +60°C
Rated Load	DC12V 0,5A
Contact Resistance:	≤ 0,03 Ω
Insulation Resistance:	≥ 100M Ω
Withstanding Voltage:	AC 250V / 50Hz) 1 min.
Insertion and Extraction Force:	100~300gr. F
Lifetime:	100000 cycles



SATA Connector	
Part No.:	T81004
Customer:	

DRW:	Jason	CHKD	Wilson	MATL:	Wilson	TOLERANCE	Mason	DATE	10.04.2009
APPD:	Schumi			FINISH	Jamy		Sheet No.		1 from 2

EDCON-COMPONENTS



Ordering Informations

Serie	Pos.	ROHS	Packing							
T81004	19	R	BU							

19= 19Pos.	R= ROHS Conform N= NON ROHS Conform	BU= Bulk Ware
-------------------	--	----------------------

SATA Connector	
Part No.:	T81004
Customer:	

DRW:	Jason	CHKD	Wilson	MATL:	Wilson	TOLERANCE	Mason	DATE	10.04.2009
APPD:	Schumi			FINISH	Jamy		Sheet No.		2 from 2