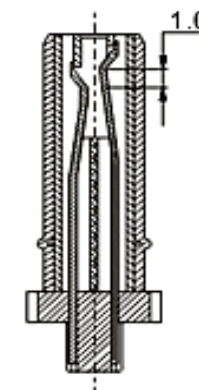
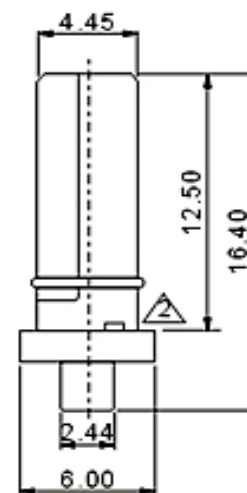
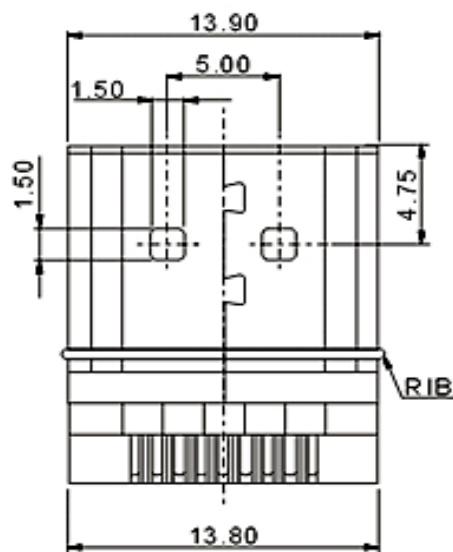
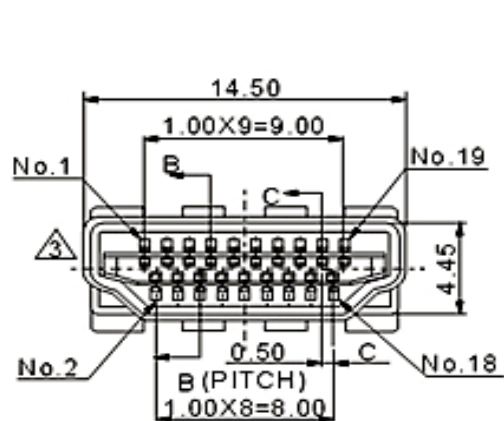


# EDCON-COMPONENTS



## Technical Discription

Temperature Range:	. -10°C ~ +60°C
Rated Load	DC12V 0,5A
Contact Resistance:	≤ 0,03 Ω
Insulation Resistance:	≥ 100M Ω
Withstanding Voltage:	AC 250V / 50Hz) 1 min.
Insertion and Extraction Force:	100~300gr. F
Lifetime:	100000 cycles



<b>SATA Connector</b>	
Part No.:	<b>T81003</b>
Customer:	

DRW:	Jason	CHKD	Wilson	MATL:	Wilson	TOLERANCE	Mason	DATE	10.04.2009
APPD:	Schumi			FINISH	Jamy		Sheet No.		1 from 2

# EDCON-COMPONENTS



## Ordering Informations

Serie	Pos.	ROHS	Packing							
<b>T81003</b>	<b>19</b>	<b>R</b>	<b>BU</b>							

<b>19=</b> 19Pos.	<b>R=</b> ROHS Conform	<b>BU=</b> Bulk Ware
	<b>N=</b> NON ROHS Conform	

<b>SATA Connector</b>	
Part No.:	<b>T81003</b>
Customer:	

DRW:	Jason	CHKD	Wilson	MATL:	Wilson	TOLERANCE	Mason	DATE	10.04.2009
APPD:	Schumi			FINISH	Jamy		Sheet No.		2 from 2