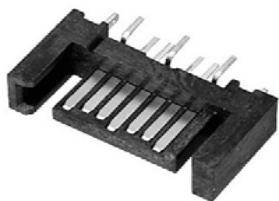
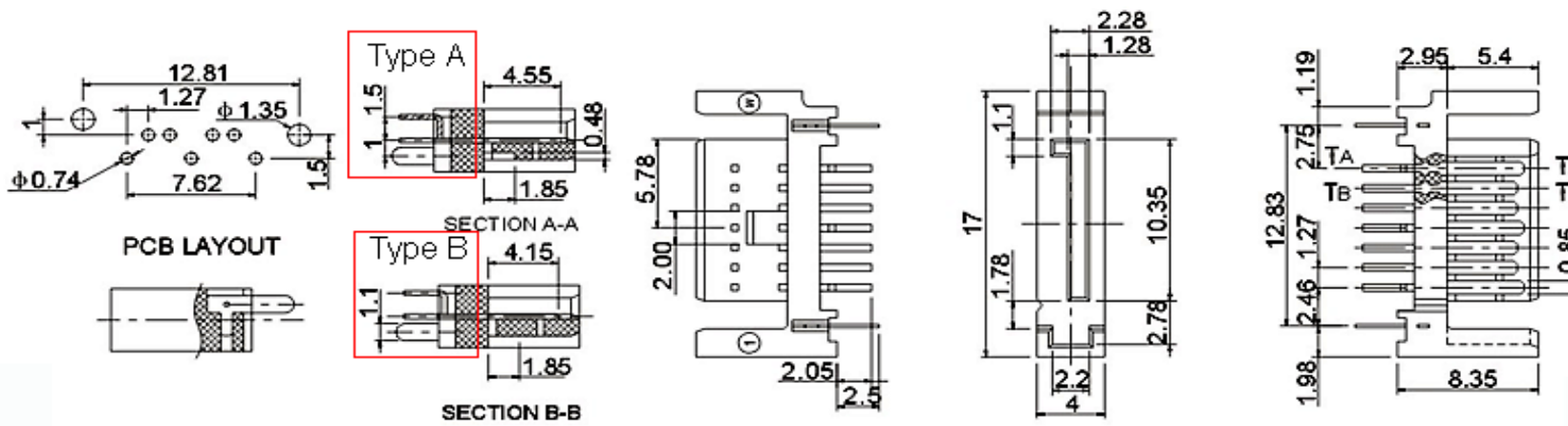


EDCON-COMPONENTS



Technical Discription

Temperature Range:	-30°C ~ +70°C
Rated Load	DC30V 0,5A
Contact Resistance:	≤ 0,03 Ω
Insulation Resistance:	≥ 500M Ω
Withstanding Voltage:	AC 500V / 50Hz) 1 min.
Insertion and Extraction Force:	3 ~ 20N
Lifetime:	5000 cycles



SATA Connector	
Part No.:	T77004
Customer:	

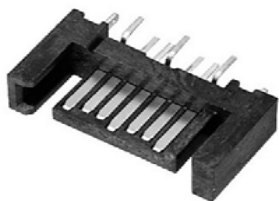
DRW:	Jason	CHKD	Wilson	MATL:	Wilson	TOLERANCE	Mason	DATE	10.04.2009
APPD:	Schumi			FINISH	Jamy		Sheet No.	1 from 3	

www.edcon-components.com

email: info@edcon-components.com

EDCON-COMPONENTS

Wilson



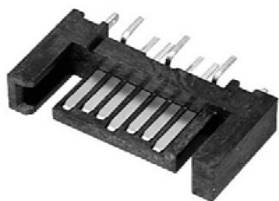
Ordering Informations

Serie	Pos.	PCB Layout	C-Plating	ROHS	Packing				
T77004	07	A	GO	R	TY				

07= 7Pos.	A= Pitch 1,50mm	GO= Gold Flash (Standard)	R= ROHS Conform	TY= Tray Package
	B= Pitch 1,10mm	T0= Tin plated	N= NON ROHS Conform	BU= Bulk Ware
		GA= 10µ Gold plated		
		GB= 15µ Gold plated		
		GC= 20µ Gold plated		
	S0= Selectiv Flash Gold plated / Tin			

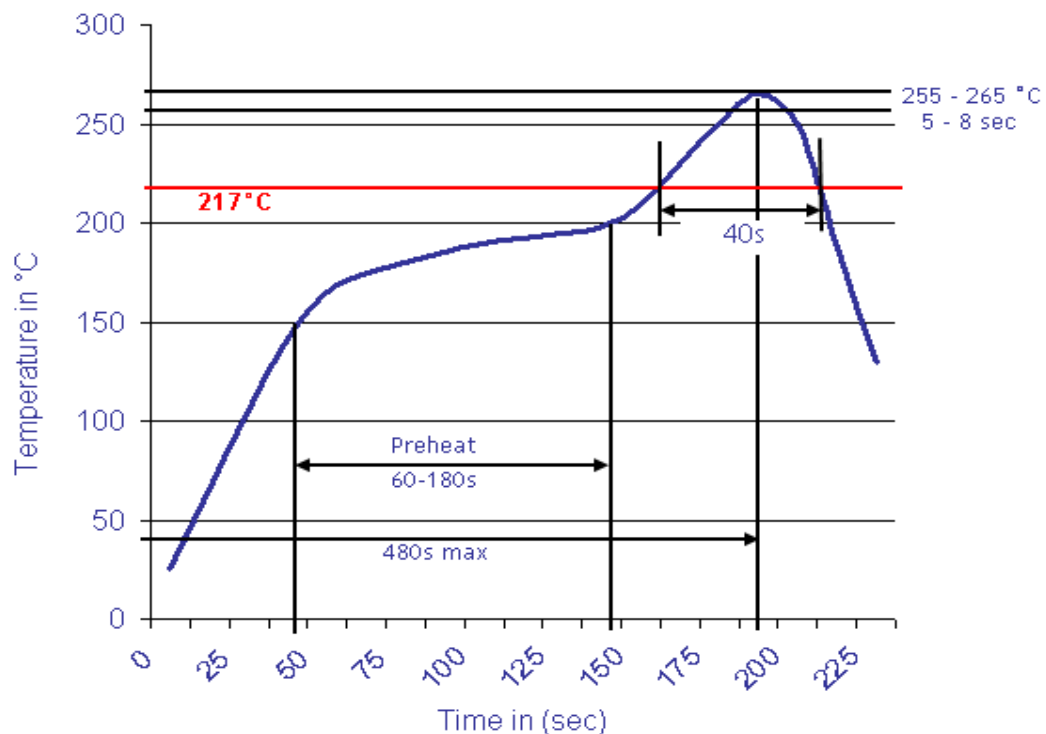
SATA Connector	
Part No.:	T77004
Customer:	

DRW:	Jason	CHKD	Wilson	MATL:	Wilson	TOLERANCE	Mason	DATE	10.04.2009
APPD:	Schumi			FINISH	Jamy		Sheet No.		2 from 3



Lead Free Soldering Curve

Classification Reflow Profile (JEDEC J-STD-020C)



SATA Connector	
Part No.:	T77004
Customer:	

DRW:	Jason	CHKD	Wilson	MATL:	Wilson	TOLERANCE	Mason	DATE	10.04.2009
APPD:	Schumi			FINISH	Jamy		Sheet No.	3 from 3	