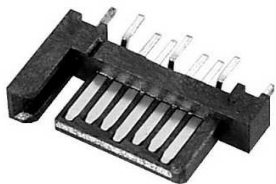
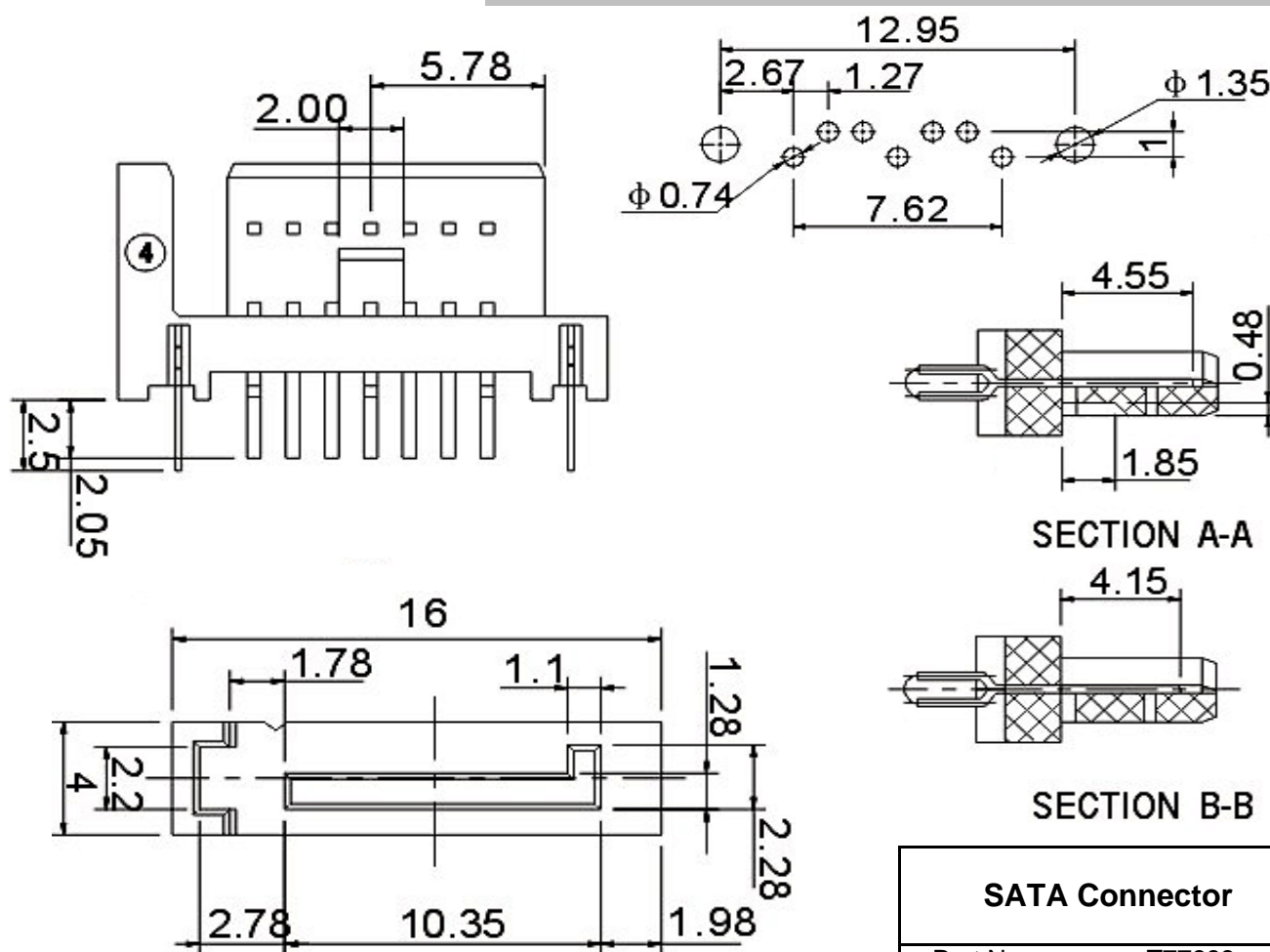
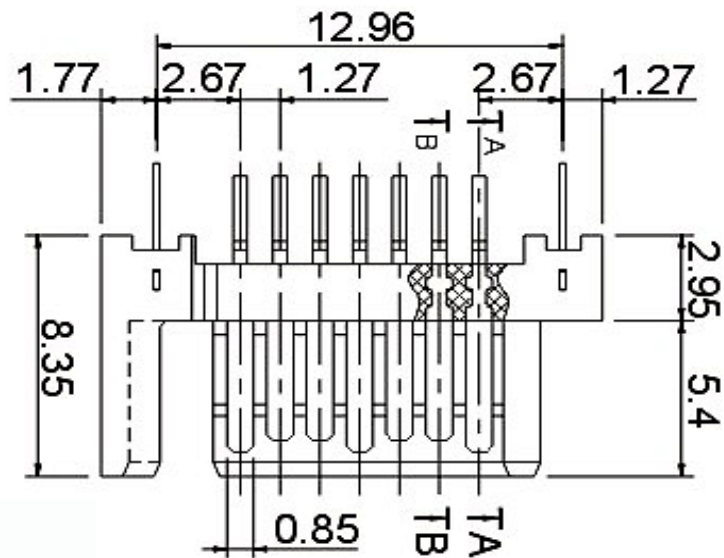


EDCON-COMPONENTS



Technical Discription

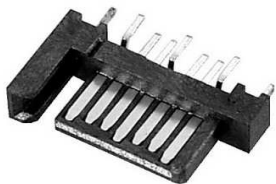
Temperature Range:	-30°C ~ +70°C
Rated Load	DC30V 0,5A
Contact Resistance:	≤ 0,03 Ω
Insulation Resistance:	≥ 500M Ω
Withstanding Voltage:	AC 500V / 50Hz) 1 min.
Insertion and Extraction Force:	3 ~ 20N
Lifetime:	5000 cycles



SATA Connector	
Part No.:	T77003
Customer:	

DRW:	Jason	CHKD	Wilson	MATL:	Wilson	TOLERANCE	Mason	DATE	10.04.2009
APPD:	Schumi			FINISH	Jamy		Sheet No.		1 from 3

EDCON-COMPONENTS



Ordering Informations

Serie	Pos.	ROHS	Packing							
T77003	07	R	TY							

07 = 7Pos.	R = ROHS Conform	TY = Tray Package
	R = ROHS Conform	BU = Bulk Ware

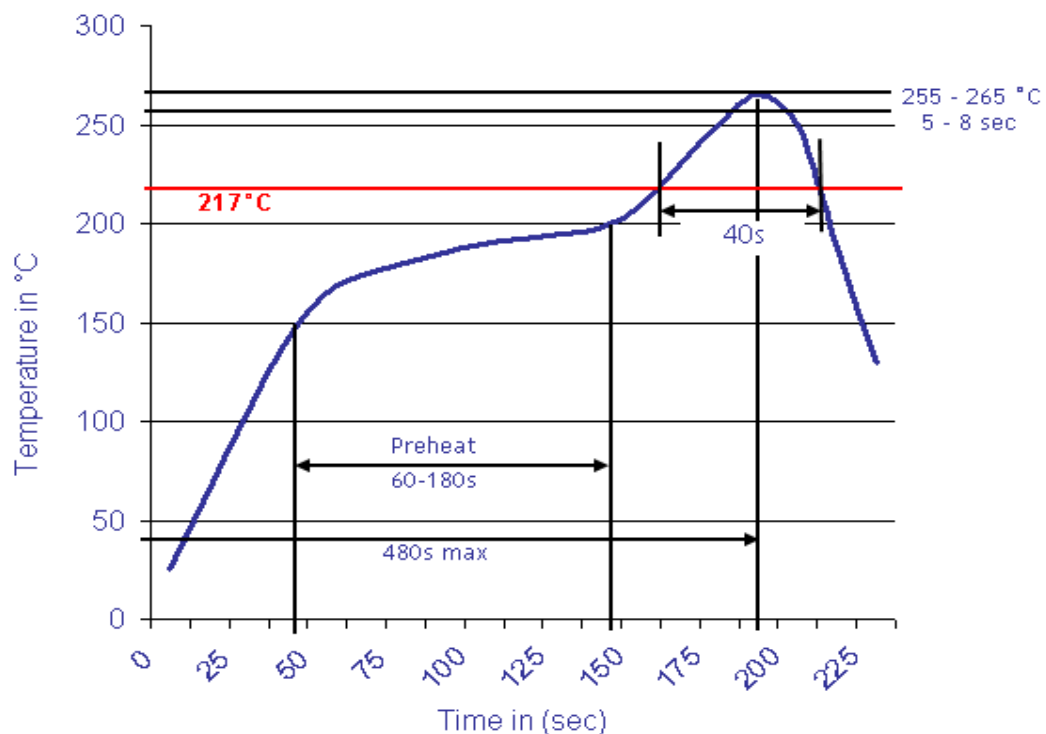
SATA Connector	
Part No.:	T77003
Customer:	

DRW:	Jason	CHKD	Wilson	MATL:	Wilson	TOLERANCE	Mason	DATE	10.04.2009
APPD:	Schumi			FINISH	Jamy		Sheet No.		2 from 3



Lead Free Soldering Curve

Classification Reflow Profile (JEDEC J-STD-020C)



SATA Connector	
Part No.:	T77003
Customer:	

DRW:	Jason	CHKD	Wilson	MATL:	Wilson	TOLERANCE	Mason	DATE	10.04.2009
APPD:	Schumi			FINISH	Jamy		Sheet No.	3 from 3	