

EDCON-COMPONENTS



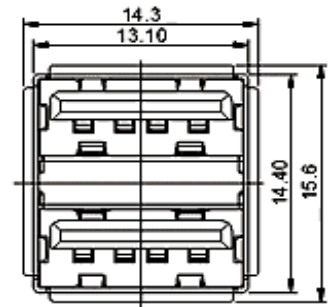
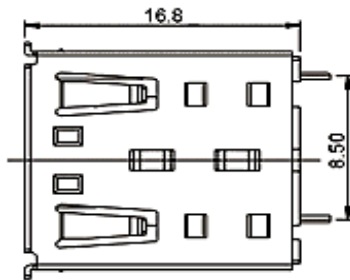
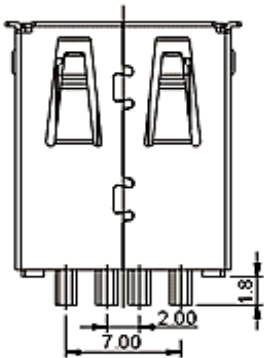
T65044

Technical Specifications:

| | |
|------------------------|--|
| Operating Temperature: | |
| Rated Load: | |
| Contact Resistance: | |
| Insulation Resistance: | |
| Withstanding Voltage: | |
| Actuating Force: | |
| Lifetime: | |
| | |
| | |

| |
|----------------------|
| . -40°C ~ 70°C |
| DC 30V / 0,2A |
| < 0,03 Ohm |
| > 100M Ohm |
| AC 500V (50Hz) 1min. |
| 10 ~ 35N |
| 5000 cycles |
| |
| |

Technical Drawing:



| | |
|-----------------|---------------|
| USB-A CONNECTOR | |
| Part No.: | T65044 |
| Customer: | |

| | | | | | | | |
|-------|--------|------|--------|--------|--------|-------|------------|
| DRW: | Jason | CHKD | Wilson | MATL: | Wilson | DATE | 06.05.2007 |
| APPD: | Schumi | | | FINISH | Jamy | Sheet | 1 from 2 |

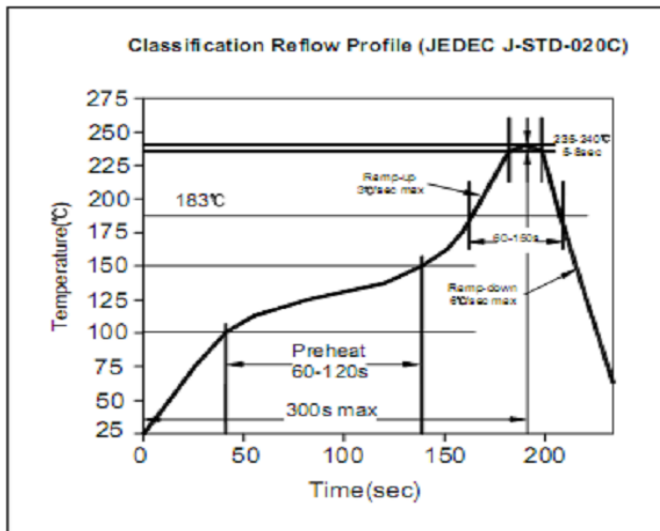
Copyright by EDCON-COMPONENTS H.Schmitt 11.6.2009

EDCON-COMPONENTS

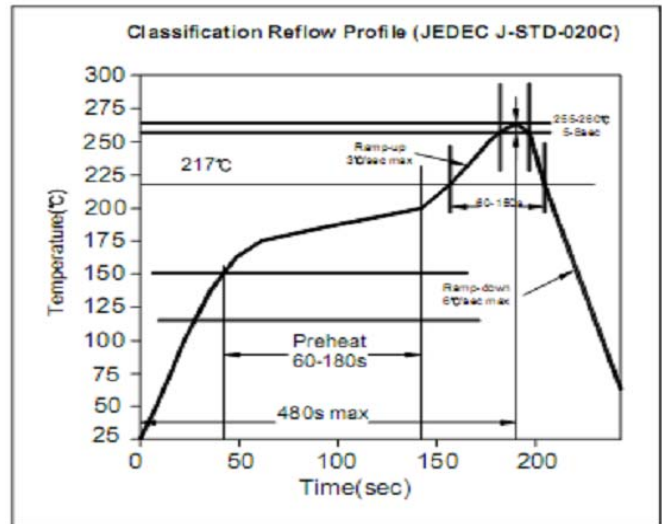


Solder Profile

Lead Solder



Lead free Solder



Ordering Informations:

| | | | | | | |
|----------|------|---------|--|--|--|--|
| Item-No. | ROHS | Packing | | | | |
|----------|------|---------|--|--|--|--|

| | | | | | | |
|--------|---|----|--|--|--|--|
| T65044 | R | BU | | | | |
|--------|---|----|--|--|--|--|

| | | |
|-------------|---------------------|--|
| R= ROHS | BU= Bulk (Standard) | |
| N= Non ROHS | TY= Tray Packing | |
| | TU= Tube Packing | |
| | | |
| | | |

| | |
|-----------------|---------------|
| USB-A CONNECTOR | |
| Part No.: | T65044 |
| Customer: | |

| | | | | | | | |
|-------|--------|------|--------|--------|--------|-------|------------|
| DRW: | Jason | CHKD | Wilson | MATL: | Wilson | DATE | 06.05.2007 |
| APPD: | Schumi | | | FINISH | Jamy | Sheet | 2 from 2 |

Copyright by EDCON-COMPONENTS H.Schmitt 11.6.2009