

EDCON-COMPONENTS



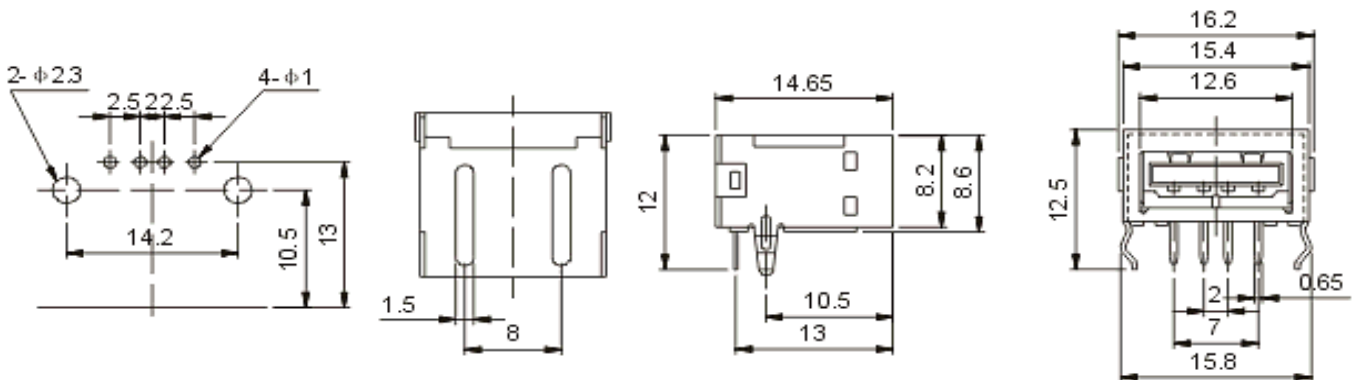
T65010

Technical Specifications:

Operating Temperature:	
Rated Load:	
Contact Resistance:	
Insulation Resistance:	
Withstanding Voltage:	
Actuating Force:	
Lifetime:	

. -40°C ~ 70°C
DC 30V / 0,2A
< 0,03 Ohm
> 100M Ohm
AC 500V (50Hz) 1min.
10 ~ 35N
5000 cycles

Technical Drawing:



Specified Tolerance (mm)		USB-A CONNECTOR	
X	±0,35		
X.X	±0,25		
X.XX	±0,20		
X.XXX	±0,15		

DRW:	Jason	CHKD	Wilson	MATL:	Wilson	DATE	03.02.2017
APPD:	Schumi			FINISH	Jamy	Sheet	1 from 2

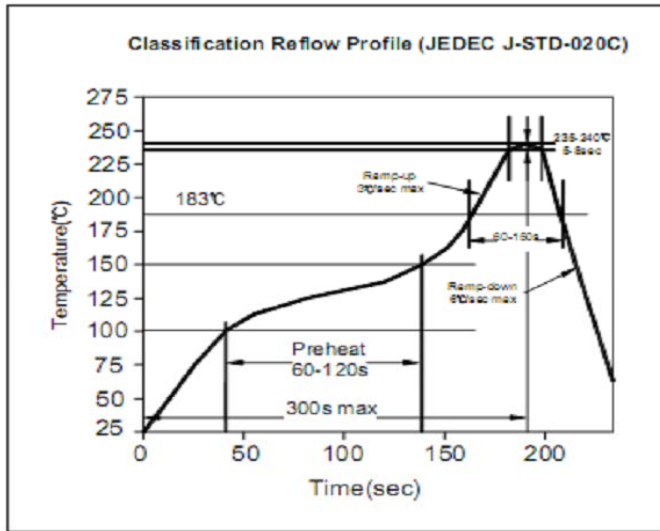
Copyright by S.Tiede

EDCON-COMPONENTS

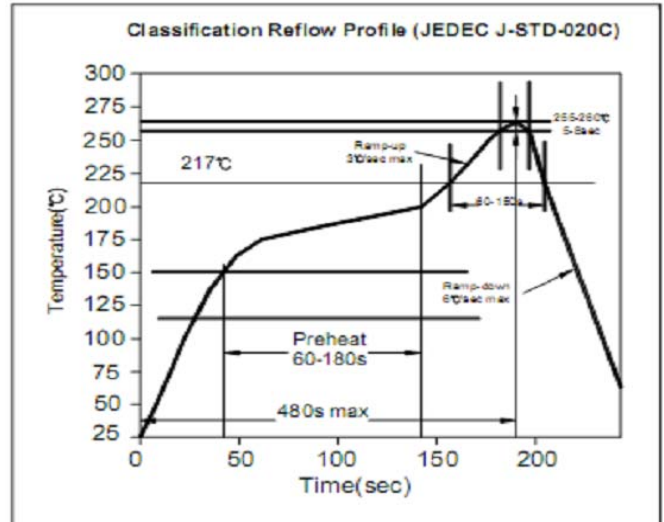


Solder Profile

Lead Solder



Lead free Solder



Ordering Informations:

Item-No.	ROHS	Packing			
T65010	R	BU			

R= ROHS	BU= Bulk (Standard)	
N= Non ROHS	TY= Tray Packing	
	TU= Tube Packing	

USB-A CONNECTOR	
Part No.:	T65010
Customer:	

DRW:	Jason	CHKD:	Wilson	MATL:	Wilson	DATE:	03.02.2017
APPD:	Schumi			FINISH:	Jamy	Sheet:	2 from 2

Copyright by S.Tiede