

EDCON-COMPONENTS



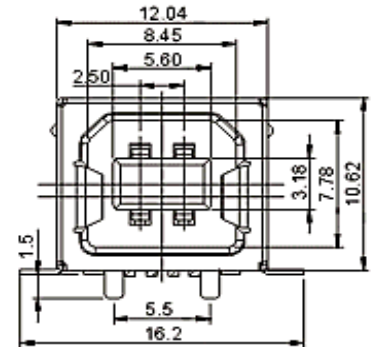
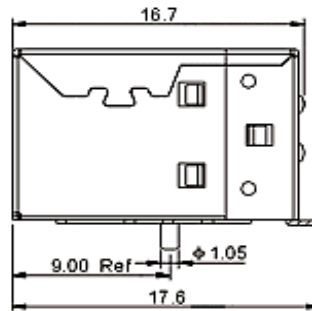
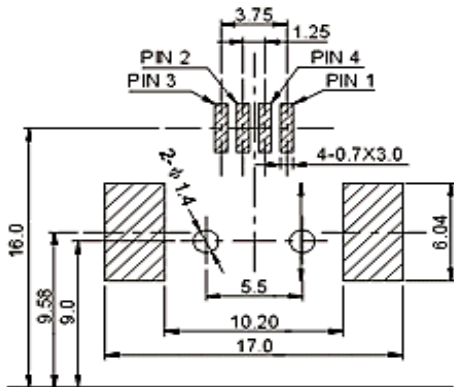
T64006

Technical Specifications:

Operating Temperature:	
Rated Load:	
Contact Resistance:	
Insulation Resistance:	
Withstanding Voltage:	
Actuating Force:	
Lifetime:	

Operating Temperature:	-40°C ~ 70°C
Rated Load:	DC 30V / 0,2A
Contact Resistance:	< 0,03 Ohm
Insulation Resistance:	> 100M Ohm
Withstanding Voltage:	AC 500V (50Hz) 1min.
Actuating Force:	10 ~ 35N
Lifetime:	5000 cycles

Technical Drawing:



SMD USB-B-CONNECTOR

Part No.: **T64006**

Customer:

DRW:	Jason	CHKD	Wilson	MATL:	Wilson	DATE	26.02.2016
APPD:	Schumi			FINISH	Jamy	Sheet	1 from 2

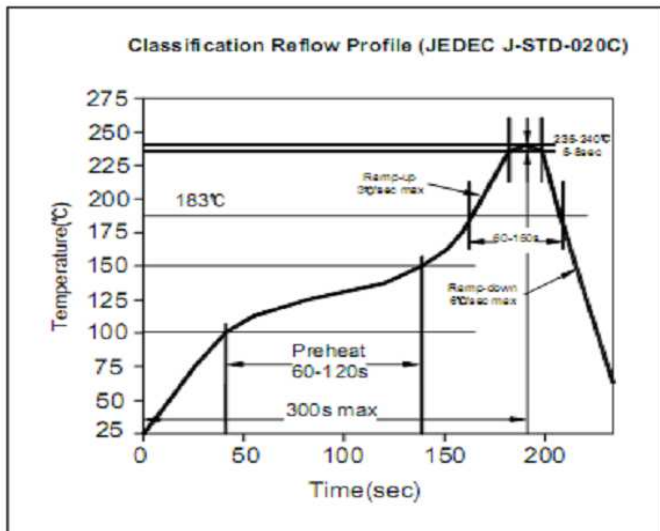
Copyright by S.Tiede

EDCON-COMPONENTS

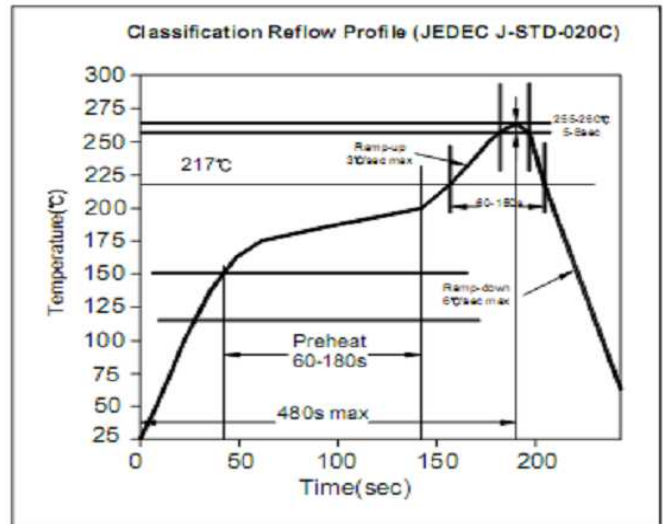


Solder Profile

Lead Solder



Lead free Solder



Ordering Informations:

Item-No.	ROHS	Packing			
T64006	R	BU			

R= ROHS	BU= Bulk (Standard)
N= Non ROHS	TY= Tray Packing
	TU= Tube Packing
	TR= Tape Reel Pack.

SMD USB-B-CONNECTOR	
Part No.:	T64006
Customer:	

DRW:	Jason	CHKD	Wilson	MATL:	Wilson	DATE	26.02.2016
APPD:	Schumi			FINISH	Jamy	Sheet	2 from 2

Copyright by S.Tiede