

EDCON-COMPONENTS



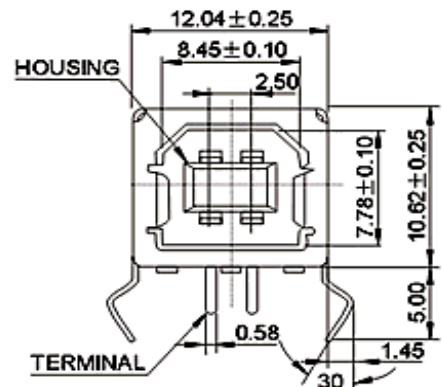
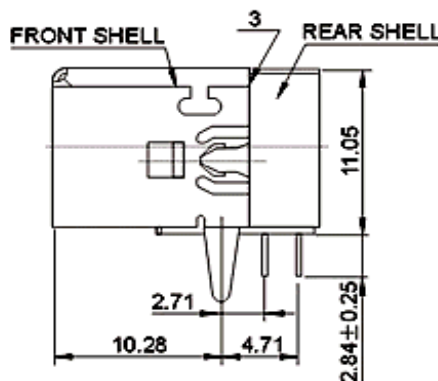
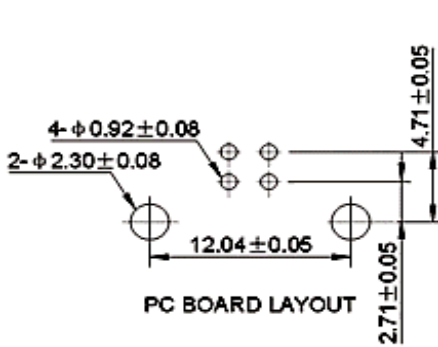
T64003

Technical Specifications:

Operating Temperature:	-40°C ~ 70°C
Rated Load:	DC 30V / 0,2A
Contact Resistance:	< 0,03 Ohm
Insulation Resistance:	> 100M Ohm
Withstanding Voltage:	AC 500V (50Hz) 1min.
Actuating Force:	10 ~ 35N
Lifetime:	5000 cycles

Operating Temperature:	-40°C ~ 70°C
Rated Load:	DC 30V / 0,2A
Contact Resistance:	< 0,03 Ohm
Insulation Resistance:	> 100M Ohm
Withstanding Voltage:	AC 500V (50Hz) 1min.
Actuating Force:	10 ~ 35N
Lifetime:	5000 cycles

Technical Drawing:



USB-B-CONNECTOR	
Part No.:	T64003
Customer:	

DRW:	Jason	CHKD	Wilson	MATL:	Wilson	DATE	06.05.2007
APPD:	Schumi			FINISH	Jamy	Sheet	1 from 2

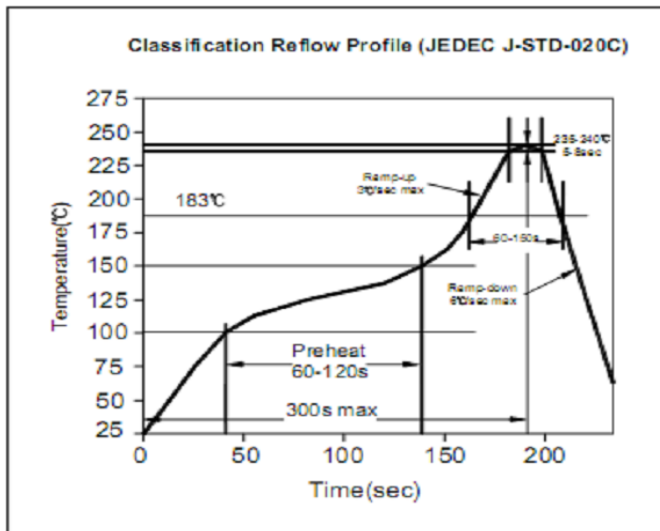
Copyright by EDCON-COMPONENTS H.Schmitt 11.6.2009

EDCON-COMPONENTS

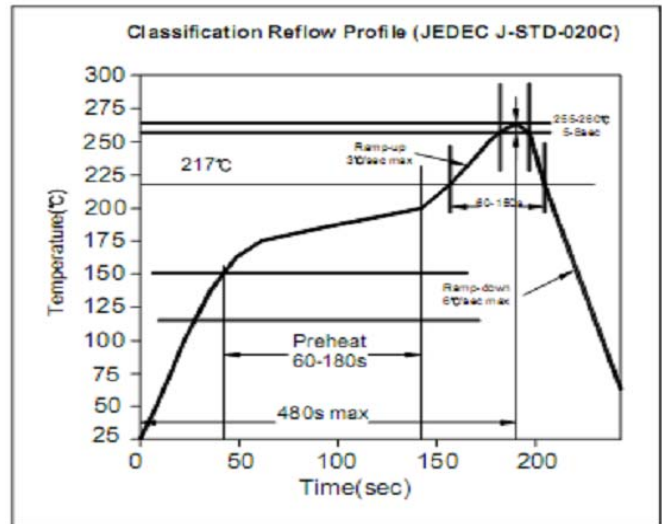


Solder Profile

Lead Solder



Lead free Solder



Ordering Informations:

Item-No.	ROHS	Packing			
----------	------	---------	--	--	--

T64003	R	BU			
--------	---	----	--	--	--

R= ROHS	BU= Bulk (Standard)	
N= Non ROHS	TY= Tray Packing	
	TU= Tube Packing	

USB-B-CONNECTOR	
Part No.:	T64003
Customer:	

DRW:	Jason	CHKD	Wilson	MATL:	Wilson	DATE	06.05.2007
APPD:	Schumi			FINISH	Jamy	Sheet	2 from 2

Copyright by EDCON-COMPONENTS H.Schmitt 11.6.2009