

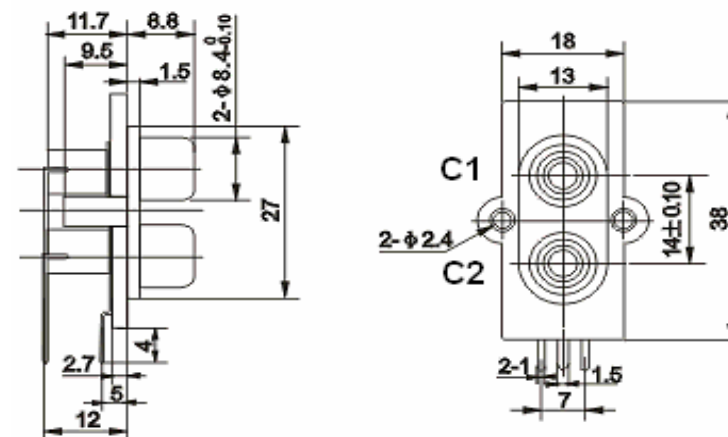
EDCON-COMPONENTS



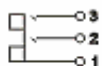
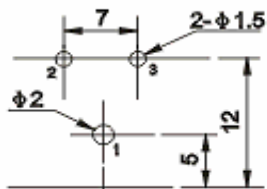
Technical Discription

| | |
|-------------------------------|-----------------------|
| Temperature Range: | . -40°C ~ + 70°C |
| Rated Load: | DC 50V/0,2A |
| Contact Resistance: | ≤ 0,03 Ω |
| Insulation Resistance: | ≥ 100M Ω |
| Withstanding Voltage: | AC 500V (50Hz) 1 min. |
| Insertion & Extraction Force: | 3-25N |
| Lifetime: | 5000 cycles |

Technical Drawing



PCB Layout



RCA Connector

Part No.: **T53024**

Customer:

| | | | | | | | | | |
|-------|--------|------|--------|--------|--------|-----------|-----------|------|------------|
| DRW: | Jason | CHKD | Wilson | MATL: | Wilson | TOLERANCE | Mason | DATE | 15.08.2009 |
| APPD: | Schumi | | | FINISH | Jamy | | Sheet No. | | 1 from 3 |

EDCON-COMPONENTS



Ordering Informations

| Serie | C1-Color | C2-Color | Cont.Plating | ROHS | Package | | | | | |
|---------------|-----------|-----------|--------------|----------|-----------|--|--|--|--|--|
| T53024 | RD | RD | T | R | BU | | | | | |

| | | | | |
|-------------------|-------------------|--|----------------------------|-------------------------|
| RD= Red | RD= Red | T= Tin plated | R= ROHS Conform | BU= BULK-WARE |
| BL= Blue | BL= Blue | | | |
| YE= Yellow | YE= Yellow | G= Gold Flash plated MOQ on request | N= NON ROHS Conform | TY= TRAY Packing |
| GN= Green | GN= Green | | | |
| GY= Gray | GY= Gray | | | |

| | |
|----------------------|---------------|
| RCA Connector | |
| Part No.: | T53024 |
| Customer: | |

| | | | | | | | | | |
|-------|--------|------|--------|--------|--------|-----------|-----------|------|------------|
| DRW: | Jason | CHKD | Wilson | MATL: | Wilson | TOLERANCE | Mason | DATE | 15.08.2009 |
| APPD: | Schumi | | | FINISH | Jamy | | Sheet No. | | 2 from 3 |

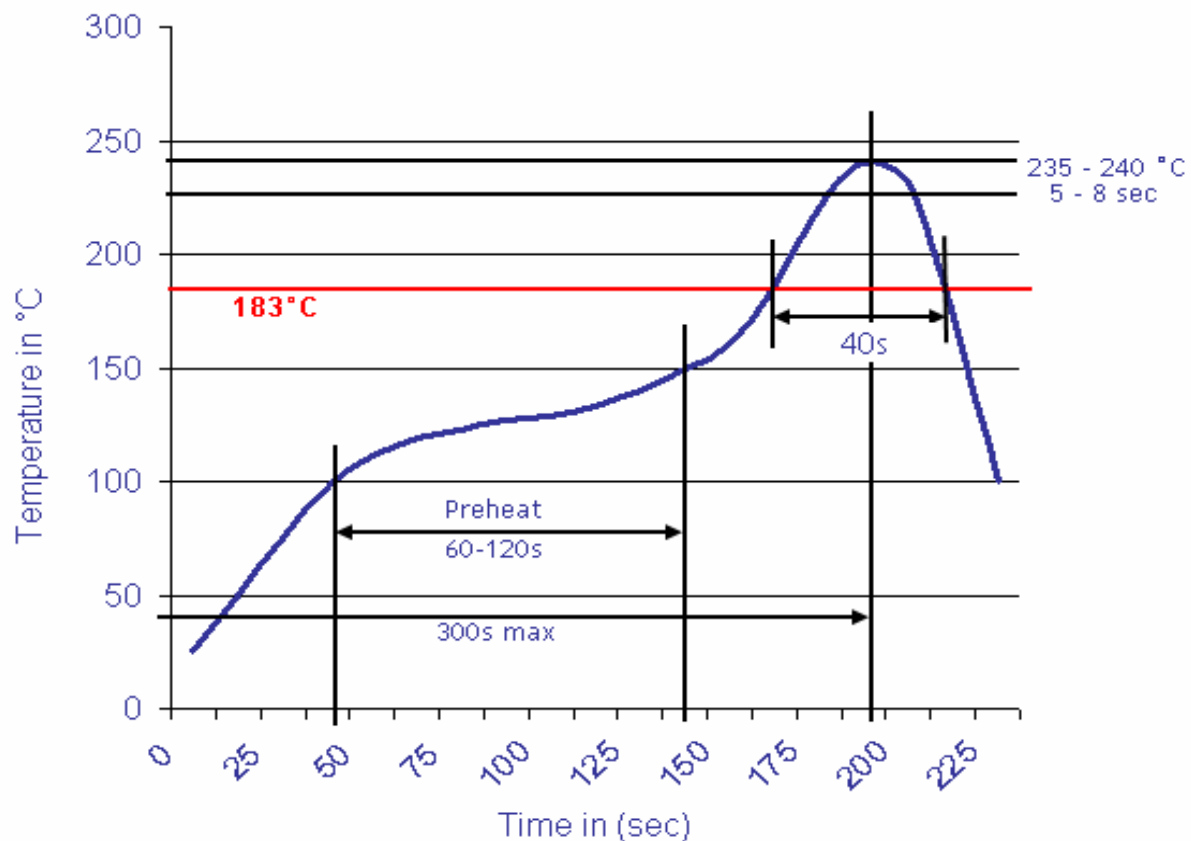
www.edcon-components.com

email: info@edcon-components.com



Soldering Profile Curve

Classification Reflow Profile (JEDEC J-STD-020C)



| | |
|----------------------|---------------|
| RCA Connector | |
| Part No.: | T53024 |
| Customer: | |

| | | | | | | | | | |
|-------|--------|------|--------|--------|--------|-----------|-----------|----------|------------|
| DRW: | Jason | CHKD | Wilson | MATL: | Wilson | TOLERANCE | Mason | DATE | 15.08.2009 |
| APPD: | Schumi | | | FINISH | Jamy | | Sheet No. | 3 from 3 | |