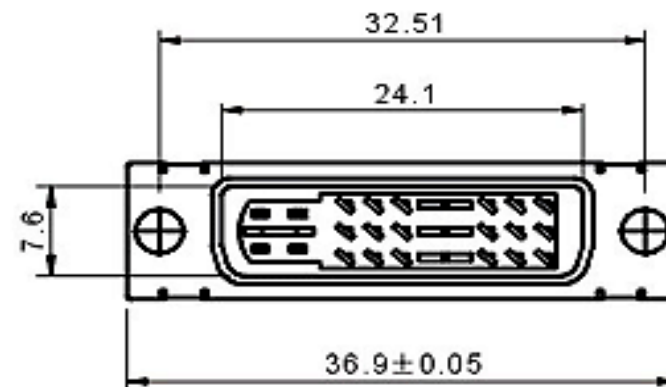
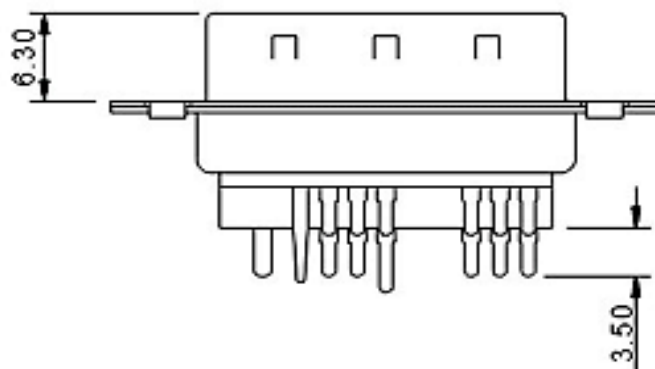
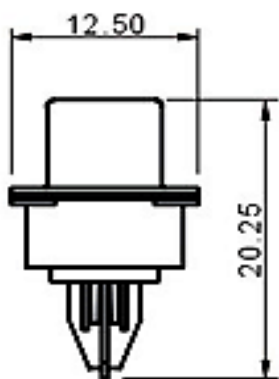


EDCON-COMPONENTS



Technical Discription

Temperature Range:	. -25°C ~ +70°C
Rated Load	DC30V 0,5A
Contact Resistance:	≤ 0,03 Ω
Insulation Resistance:	≥ 500M Ω
Withstanding Voltage:	AC 250V / 50Hz) 1 min.
Insertion and Extraction Force:	5 ~ 30N
Lifetime:	1000 cycles



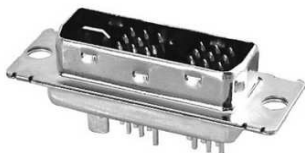
DVI-Connector Straight

Part No.: **T26009**

Customer:

DRW:	Jason	CHKD	Wilson	MATL:	Wilson	TOLERANCE	Mason	DATE	10.04.2009
APPD:	Schumi			FINISH	Jamy		Sheet No.	1 from 3	

EDCON-COMPONENTS



Ordering Informations

Serie	Pos.	ROHS	Packing							
T26009	24	R	TY							

24= 18+6Pos.	R= ROHS Conform	TY= Tray Package
	R= ROHS Conform	BU= Bulk Ware

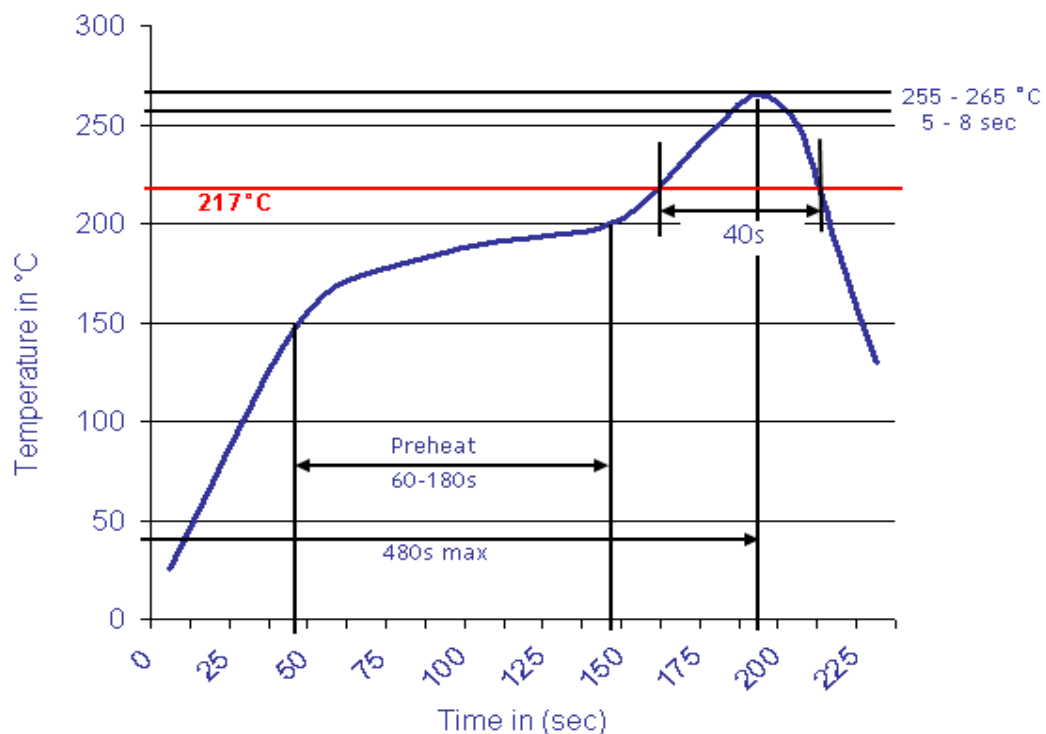
DVI-Connector Straight	
Part No.:	T26009
Customer:	

DRW:	Jason	CHKD	Wilson	MATL:	Wilson	TOLERANCE	Mason	DATE	10.04.2009
APPD:	Schumi			FINISH	Jamy		Sheet No.		2 from 3



Lead Free Soldering Curve

Classification Reflow Profile (JEDEC J-STD-020C)



DVI-Connector Straight

Part No.: **T26009**

DRW:	Jason	CHKD	Wilson	MATL:	Wilson	TOLERANCE	Mason	DATE	10.04.2009
APPD:	Schumi			FINISH	Jamy		Sheet No.	3 from 3	Customer: