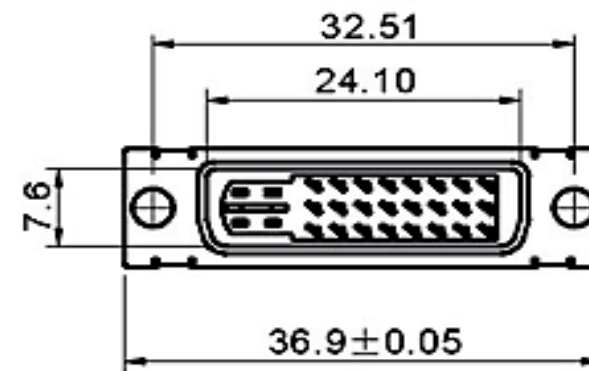
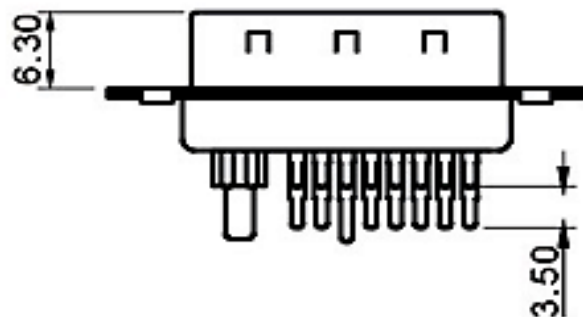
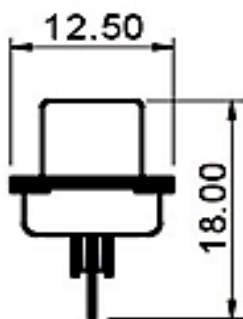


# EDCON-COMPONENTS



## Technical Discription

Temperature Range:	. -25°C ~ +70°C
Rated Load	DC30V 0,5A
Contact Resistance:	≤ 0,03 Ω
Insulation Resistance:	≥ 500M Ω
Withstanding Voltage:	AC 250V / 50Hz) 1 min.
Insertion and Extraction Force:	5 ~ 30N
Lifetime:	1000 cycles



<b>DVI-Connector Straight</b>	
Part No.:	<b>T26007</b>
Customer:	

DRW:	Jason	CHKD	Wilson	MATL:	Wilson	TOLERANCE	Mason	DATE	10.04.2009
APPD:	Schumi			FINISH	Jamy		Sheet No.		1 from 3

# EDCON-COMPONENTS



## Ordering Informations

Serie	Pos.	ROHS	Packing							
<b>T26007</b>	<b>30</b>	<b>R</b>	<b>TY</b>							

<b>30=</b> 24+6Pos.	<b>R=</b> ROHS Conform	<b>TY=</b> Tray Package
	<b>R=</b> ROHS Conform	<b>BU=</b> Bulk Ware

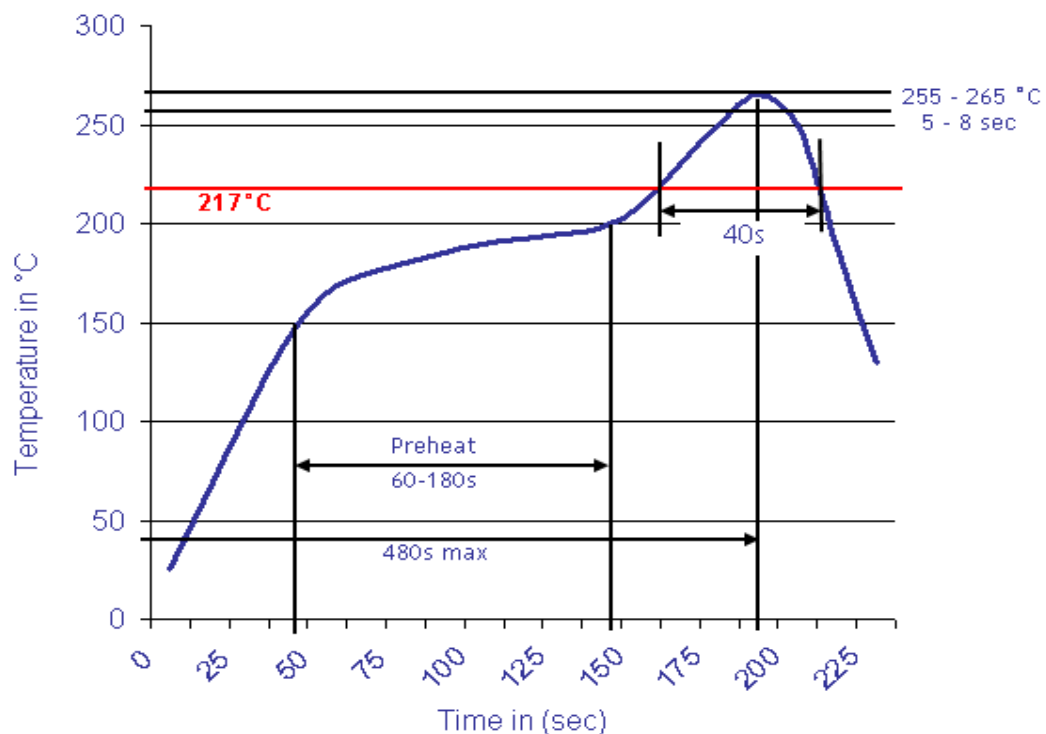
<b>DVI-Connector Straight</b>	
Part No.:	<b>T26007</b>
Customer:	

DRW:	Jason	CHKD	Wilson	MATL:	Wilson	TOLERANCE	Mason	DATE	10.04.2009
APPD:	Schumi			FINISH	Jamy		Sheet No.		2 from 3



Lead Free Soldering Curve

Classification Reflow Profile (JEDEC J-STD-020C)



**DVI-Connector Straight**

Part No.: **T26007**

DRW:	Jason	CHKD	Wilson	MATL:	Wilson	TOLERANCE	Mason	DATE	10.04.2009
APPD:	Schumi			FINISH	Jamy		Sheet No.	3 from 3	Customer: