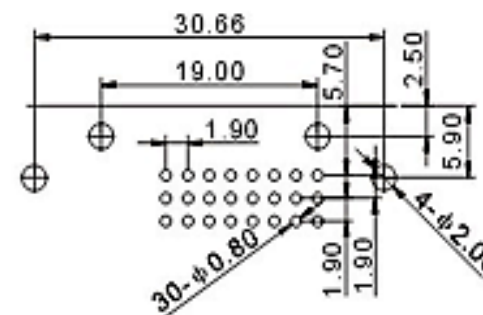
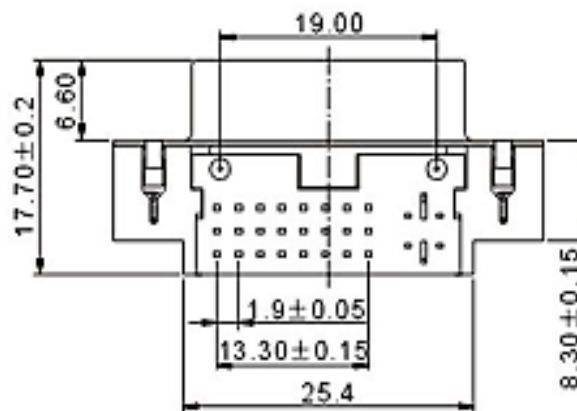
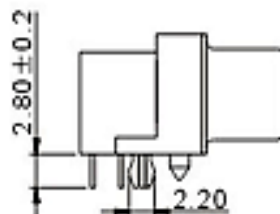
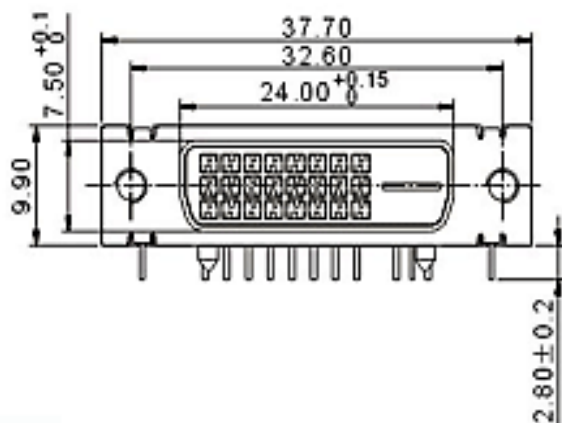


# EDCON-COMPONENTS



## Technical Discription

Temperature Range:	-25°C ~ +70°C
Rated Load	DC30V 0,5A
Contact Resistance:	≤ 0,03 Ω
Insulation Resistance:	≥ 500M Ω
Withstanding Voltage:	AC 250V / 50Hz) 1 min.
Insertion and Extraction Force:	5 ~ 30N
Lifetime:	1000 cycles



## DVI-Connector Right Angle

Part No.: **T26001**

Customer:

DRW:	Jason	CHKD	Wilson	MATL:	Wilson	TOLERANCE	Mason	DATE	21.12.2012
APPD:	Schumi			FINISH	Jamy		Sheet No.		1 from 3

# EDCON-COMPONENTS



## Ordering Informations

Serie	Pos.	Screw	Special	ROHS	Packing					
<b>T26001</b>	<b>24</b>	<b>A</b>	<b>0</b>	<b>R</b>	<b>TY</b>					

<b>24=</b> Pos.	<b>A=</b> UNC-Screw 5,0mm	<b>0=</b> No function	<b>R=</b> ROHS Conform	<b>TY=</b> Tray Package
			<b>R=</b> ROHS Conform	<b>BU=</b> Bulk Ware

**DVI-Connector Right Angle**

Part No.: **T26001**

Customer:

DRW:	Jason	CHKD	Wilson	MATL:	Wilson	TOLERANCE	Mason	DATE	21.12.2012
APPD:	Schumi			FINISH	Jamy		Sheet No.		2 from 3

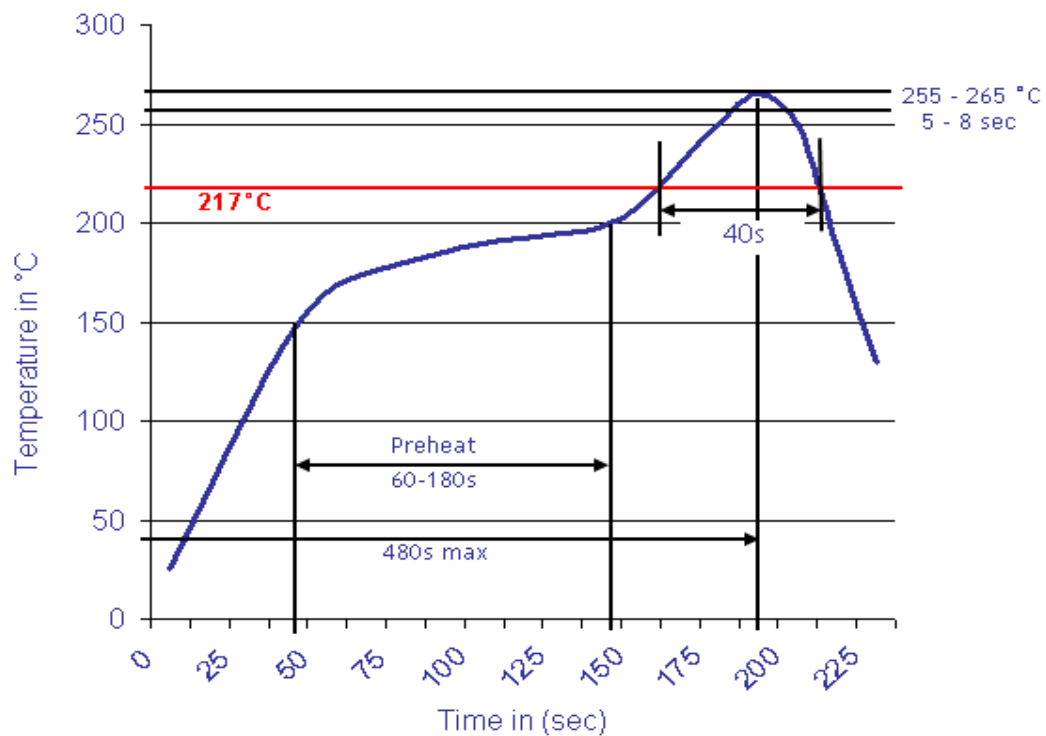
[www.edcon-components.com](http://www.edcon-components.com)

email: [info@edcon-components.com](mailto:info@edcon-components.com)



Lead Free Soldering Curve

Classification Reflow Profile (JEDEC J-STD-020C)



**DVI-Connector Right Angle**

Part No.: **T26001**

DRW:	Jason	CHKD	Wilson	MATL:	Wilson	TOLERANCE	Mason	DATE	21.12.2012
APPD:	Schumi			FINISH	Jamy		Sheet No.		3 from 3

Customer: