

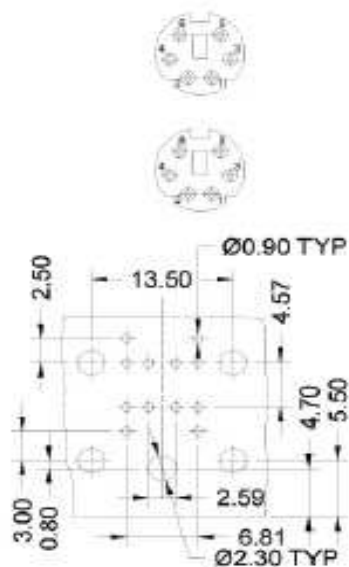
EDCON-COMPONENTS



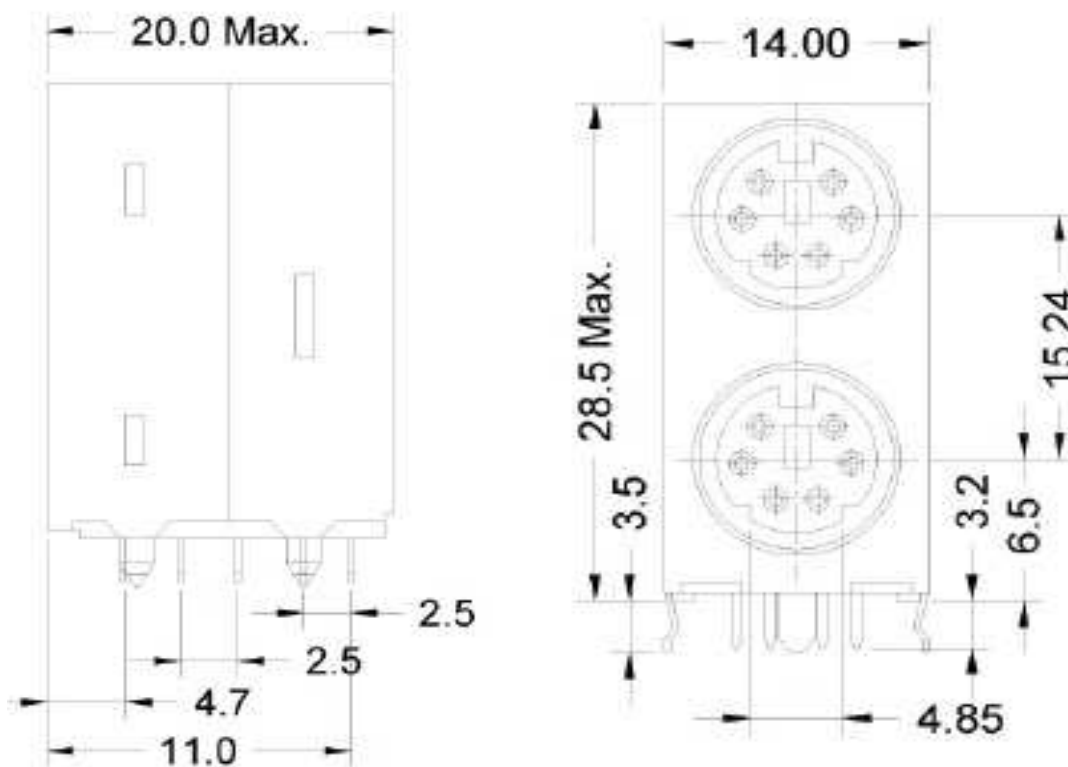
Technical Discription

Temperature Range:	. -25°C ~ + 85°C
Rated Load:	DC 12V/2A
Contact Resistance:	≤ 0,03 Ω
Insulation Resistance:	≥ 500M Ω
Withstanding Voltage:	AC 250V (50Hz) 1 min.
Insertion & Extraction Force:	5-30N
Lifetime:	1000 cycles
Plating Contact:	Ni Au/Sn
Contac Material:	Phosphor Bronze
Insulator Material:	PBT UL94V-0

PCB Layout



Technical Drawing



**Mini DIN Connector
2x6Pos. Dual Color**

Part No.: **T20H169-**

Customer:

DRW:	Jason	CHKD	Wilson	MATL:	Wilson	TOLERANCE	Mason	DATE	17.02.2015
APPD:	Schumi			FINISH	Jamy		Sheet No.		1 from 3

EDCON-COMPONENTS



Ordering Informations

Serie	Pos.	ROHS	Package							
T20H169-	06	R	TY							

R= ROHS Conform	BU= BULK-WARE
N= NON ROHS Conform	TY= Tray Packing

Mini DIN Connector 2x6Pos. Dual Color	
Part No.:	T20H169-
Customer:	

DRW:	Jason	CHKD	Wilson	MATL:	Wilson	TOLERANCE	Mason	DATE	17.02.2015
APPD:	Schumi			FINISH	Jamy		Sheet No.		2 from 3

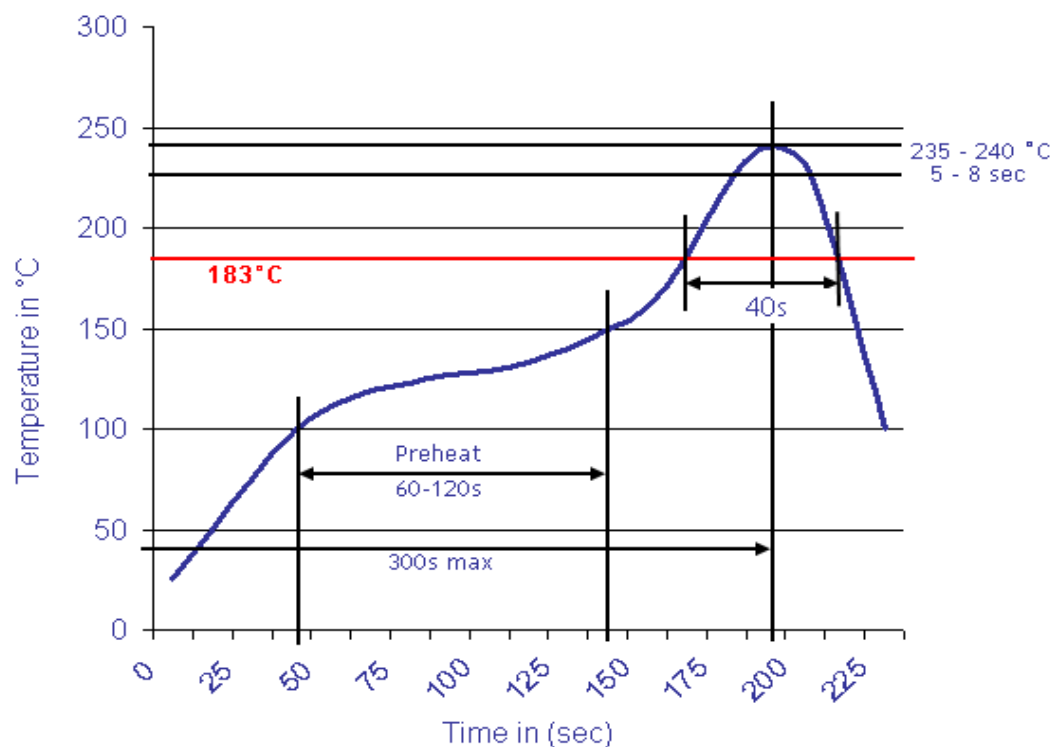
www.edcon-components.com

email: info@edcon-components.com



Soldering Profile Curve

Classification Reflow Profile (JEDEC J-STD-020C)



**Mini DIN Connector
2x6Pos. Dual Color**

Part No.: **T20H169-**

DRW:	Jason	CHKD	Wilson	MATL:	Wilson	TOLERANCE	Mason	DATE	17.02.2015
APPD:	Schumi			FINISH	Jamy		Sheet No.	3 from 3	Customer: