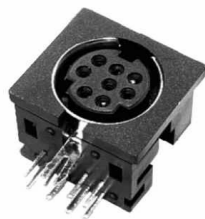


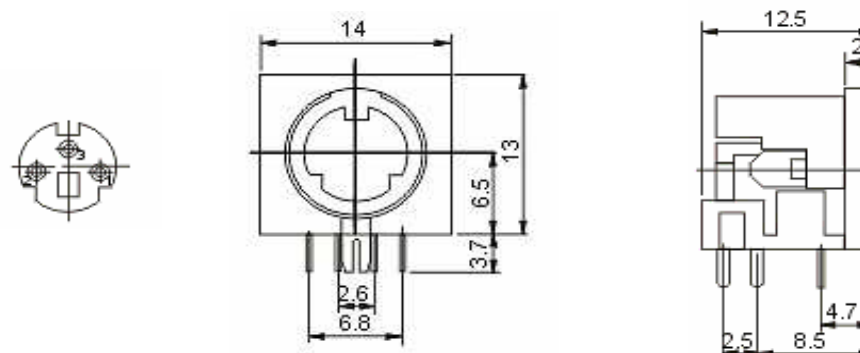
# EDCON-COMPONENTS



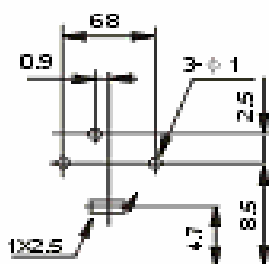
## Technical Discription

|                               |                       |
|-------------------------------|-----------------------|
| Temperature Range:            | -25°C ~ + 70°C        |
| Rated Load:                   | DC 30V/0,5A           |
| Contact Resistance:           | ≤ 0,03 Ω              |
| Insulation Resistance:        | ≥ 100M Ω              |
| Withstanding Voltage:         | AC 250V (50Hz) 1 min. |
| Insertion & Extraction Force: | 5-30N                 |
| Lifetime:                     | 1000 cycles           |

## Technical Drawing



## PCB Layout



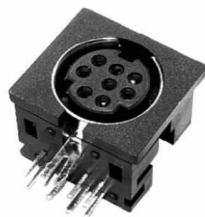
### DIN Connector

Part No.: **T20H101**

Customer:

|       |        |      |        |        |        |           |           |          |            |
|-------|--------|------|--------|--------|--------|-----------|-----------|----------|------------|
| DRW:  | Jason  | CHKD | Wilson | MATL:  | Wilson | TOLERANCE | Mason     | DATE     | 12.05.2009 |
| APPD: | Schumi |      |        | FINISH | Jamy   |           | Sheet No. | 1 from 3 |            |

# EDCON-COMPONENTS



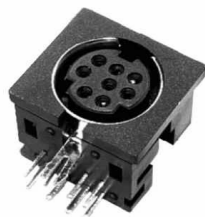
## Ordering Informations

| Serie          | Pos.      | ROHS     | Package   |  |  |  |  |  |  |  |
|----------------|-----------|----------|-----------|--|--|--|--|--|--|--|
| <b>T20H101</b> | <b>03</b> | <b>R</b> | <b>TY</b> |  |  |  |  |  |  |  |

|                            |                         |
|----------------------------|-------------------------|
| <b>R=</b> ROHS Conform     | <b>BU=</b> BULK-WARE    |
| <b>N=</b> NON ROHS Conform | <b>TY=</b> Tray Packing |

|                          |
|--------------------------|
| <b>DIN Connector</b>     |
| Part No.: <b>T20H101</b> |
| Customer:                |

|       |        |      |        |        |        |           |           |          |            |
|-------|--------|------|--------|--------|--------|-----------|-----------|----------|------------|
| DRW:  | Jason  | CHKD | Wilson | MATL:  | Wilson | TOLERANCE | Mason     | DATE     | 12.05.2009 |
| APPD: | Schumi |      |        | FINISH | Jamy   |           | Sheet No. | 2 from 3 |            |



Soldering Profile Curve

Classification Reflow Profile (JEDEC J-STD-020C)



|                      |                |
|----------------------|----------------|
| <b>DIN Connector</b> |                |
| Part No.:            | <b>T20H101</b> |
| Customer:            |                |

|       |        |      |        |        |        |           |           |          |            |
|-------|--------|------|--------|--------|--------|-----------|-----------|----------|------------|
| DRW:  | Jason  | CHKD | Wilson | MATL:  | Wilson | TOLERANCE | Mason     | DATE     | 12.05.2009 |
| APPD: | Schumi |      |        | FINISH | Jamy   |           | Sheet No. | 3 from 3 |            |