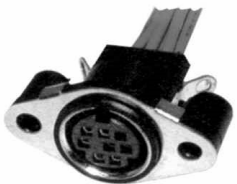


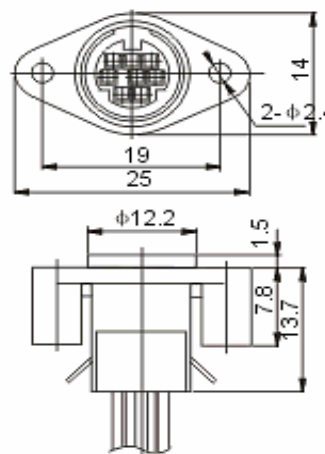
EDCON-COMPONENTS



Technical Discription

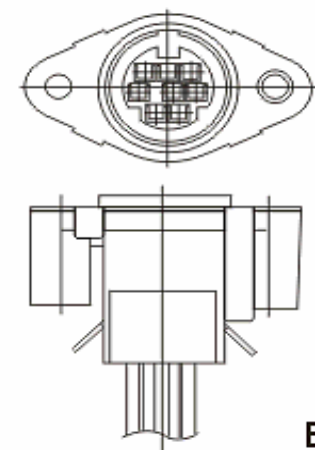
Temperature Range:	. -25°C ~ + 70°C
Rated Load:	DC 30V/0,5A
Contact Resistance:	≤ 0,03 Ω
Insulation Resistance:	≥ 100M Ω
Withstanding Voltage:	AC 250V (50Hz) 1 min.
Insertion & Extraction Force:	5-30N
Lifetime:	1000 cycles

Technical Drawing



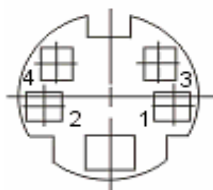
A

Mounting Type



B

Mounting Type



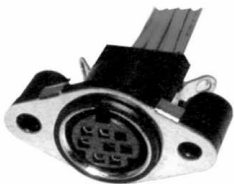
DIN Connector

Part No.: **T20H096**

Customer:

DRW:	Jason	CHKD	Wilson	MATL:	Wilson	TOLERANCE	Mason	DATE	12.05.2009
APPD:	Schumi			FINISH	Jamy		Sheet No.	1 from 3	

EDCON-COMPONENTS



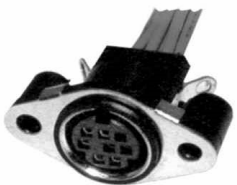
Ordering Informations

Serie	Pos.	Mounting	Cable length	Cable end	ROHS	Package				
T20H096	04	A	201	C	R	BU				

A= Mounting type A	201= 200mm	C= Cut	R= ROHS Conform	BU= BULK-WARE
B= Mounting type B	xxx= xxxmm	T= 5mm tinned ends	N= NON ROHS Conform	

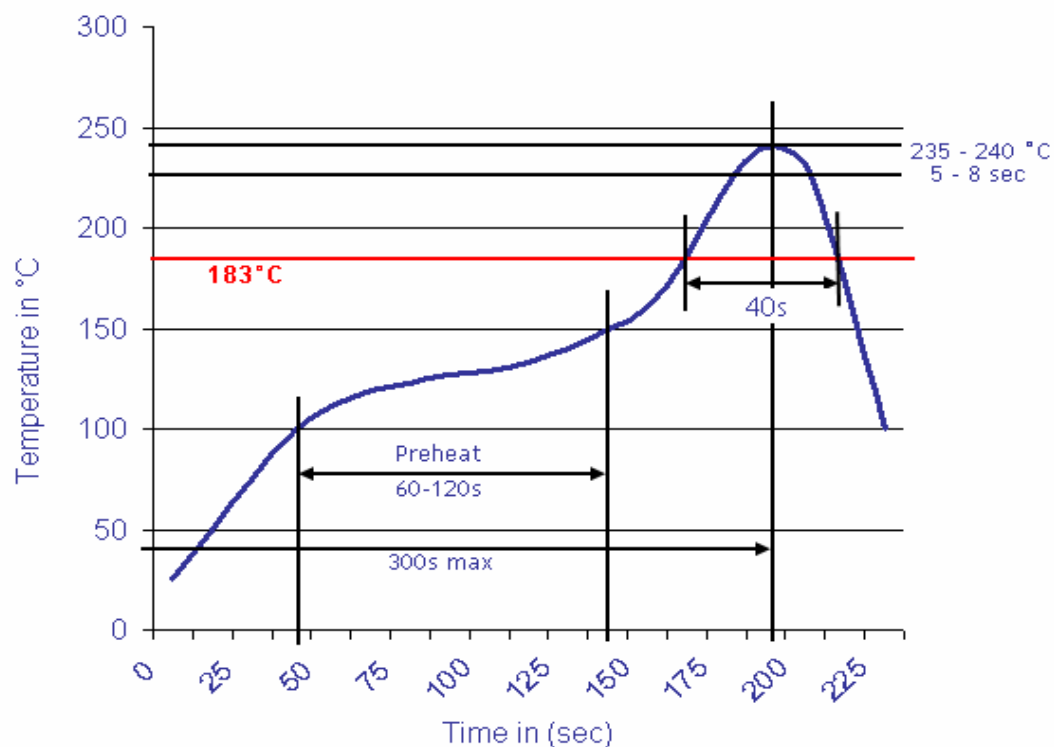
DIN Connector
Part No.: T20H096
Customer:

DRW:	Jason	CHKD	Wilson	MATL:	Wilson	TOLERANCE	Mason	DATE	12.05.2009
APPD:	Schumi			FINISH	Jamy		Sheet No.	2 from 3	



Soldering Profile Curve

Classification Reflow Profile (JEDEC J-STD-020C)



DIN Connector	
Part No.:	T20H096
Customer:	

DRW:	Jason	CHKD	Wilson	MATL:	Wilson	TOLERANCE	Mason	DATE	12.05.2009
APPD:	Schumi			FINISH	Jamy		Sheet No.	3 from 3	