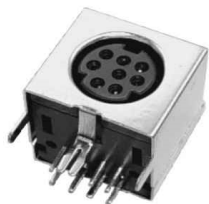


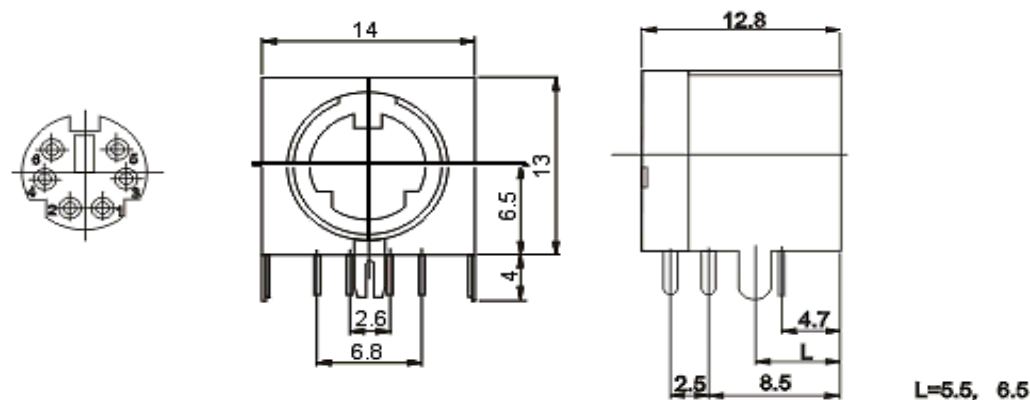
# EDCON-COMPONENTS



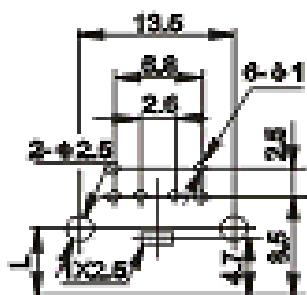
## Technical Discription

Temperature Range:	-25°C ~ + 70°C
Rated Load:	DC 30V/0,5A
Contact Resistance:	≤ 0,03 Ω
Insulation Resistance:	≥ 100M Ω
Withstanding Voltage:	AC 250V (50Hz) 1 min.
Insertion & Extraction Force:	5-30N
Lifetime:	1000 cycles

## Technical Drawing



## PCB Layout



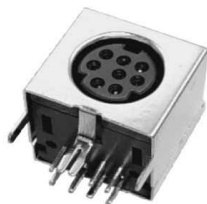
### Mini-DIN Connector

Part No.: **T20H022-**

Customer:

DRW:	Jason	CHKD	Wilson	MATL:	Wilson	TOLERANCE	Mason	DATE	12.05.2016
APPD:	Schumi			FINISH	Jamy		Sheet No.	1 from 3	

# EDCON-COMPONENTS



## Ordering Informations

Serie	Pos.	Shield Pin L	ROHS	Package	Insulator Color					
<b>T20H022-</b>	<b>06</b>	<b>A</b>	<b>R</b>	<b>TY</b>	<b>GN</b>					

<b>A= 5,5mm</b>	<b>R= ROHS Conform</b>	<b>BU= BULK-WARE</b>	<b>GN= Green</b>
<b>B= 6,5mm</b>	<b>N= NON ROHS Conform</b>	<b>TY= TRAY Packing</b>	<b>VI= Violett</b>

### Mini-DIN Connector

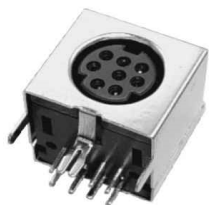
Part No.: **T20H022-**

Customer:

DRW:	Jason	CHKD	Wilson	MATL:	Wilson	TOLERANCE	Mason	DATE	12.05.2016
APPD:	Schumi			FINISH	Jamy		Sheet No.		2 from 3

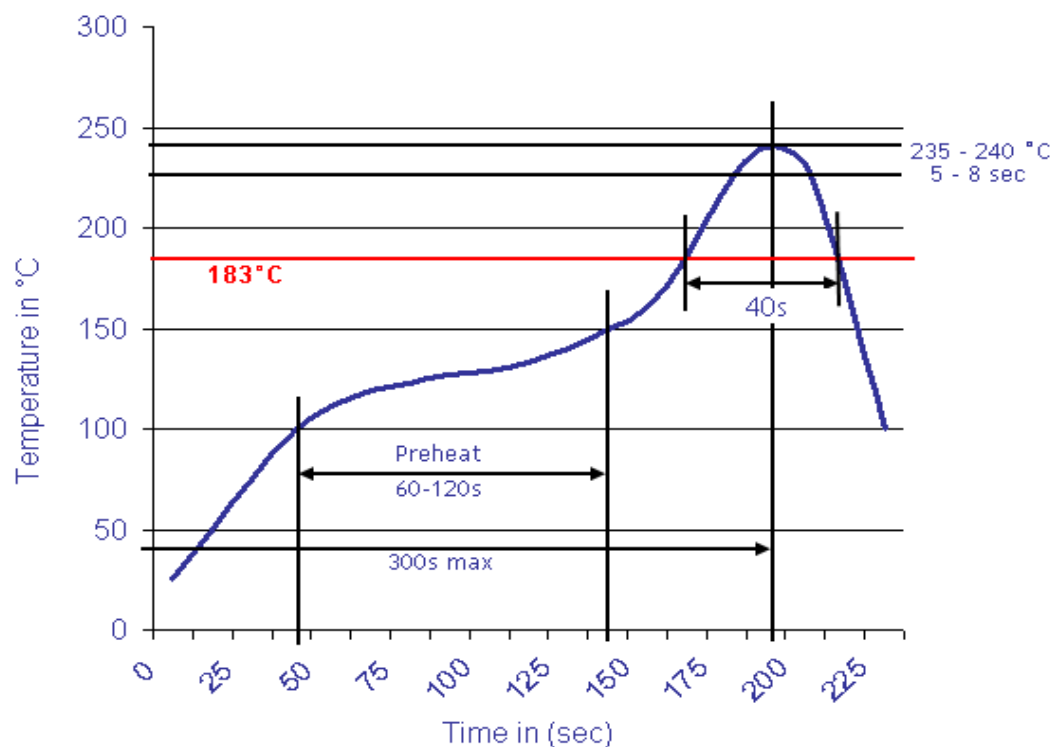
[www.edcon-components.com](http://www.edcon-components.com)

email: [info@edcon-components.com](mailto:info@edcon-components.com)



**Soldering Profile Curve**

Classification Reflow Profile (JEDEC J-STD-020C)



**Mini-DIN Connector**

Part No.: **T20H022-**

DRW:	Jason	CHKD	Wilson	MATL:	Wilson	TOLERANCE	Mason	DATE	12.05.2016
APPD:	Schumi			FINISH	Jamy		Sheet No.	3 from 3	Customer: