

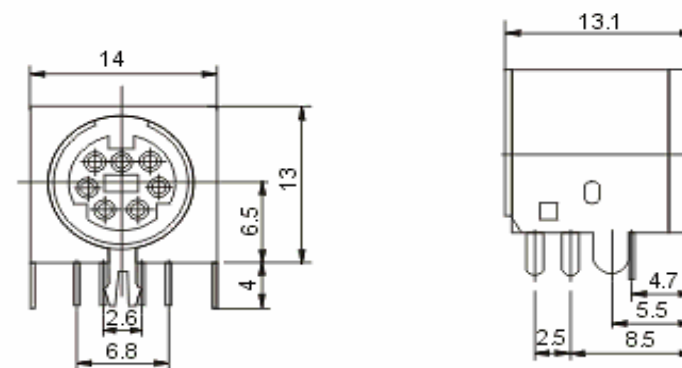
EDCON-COMPONENTS



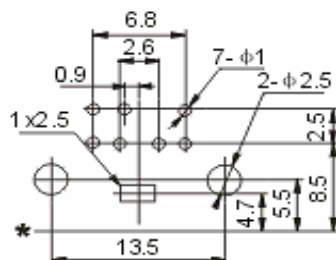
Technical Discription

| | |
|-------------------------------|-----------------------|
| Temperature Range: | -25°C ~ + 70°C |
| Rated Load: | DC 30V/0,5A |
| Contact Resistance: | ≤ 0,03 Ω |
| Insulation Resistance: | ≥ 100M Ω |
| Withstanding Voltage: | AC 250V (50Hz) 1 min. |
| Insertion & Extraction Force: | 5-30N |
| Lifetime: | 1000 cycles |

Technical Drawing



PCB Layout



Mini-DIN Connector

Part No.: **T20H011**

Customer:

| | | | | | | | | | |
|-------|--------|------|--------|--------|--------|-----------|-----------|----------|------------|
| DRW: | Jason | CHKD | Wilson | MATL: | Wilson | TOLERANCE | Mason | DATE | 12.05.2009 |
| APPD: | Schumi | | | FINISH | Jamy | | Sheet No. | 1 from 3 | |

EDCON-COMPONENTS



Ordering Informations

| Serie | Pos. | ROHS | Package | | | | | | | |
|----------------|-----------|----------|-----------|--|--|--|--|--|--|--|
| T20H011 | 07 | R | TY | | | | | | | |

| | |
|----------------------------|-------------------------|
| R= ROHS Conform | BU= BULK-WARE |
| N= NON ROHS Conform | TY= TRAY Packing |

| |
|---------------------------|
| Mini-DIN Connector |
| Part No.: T20H011 |
| Customer: |

| | | | | | | | | | |
|-------|--------|------|--------|--------|--------|-----------|-----------|----------|------------|
| DRW: | Jason | CHKD | Wilson | MATL: | Wilson | TOLERANCE | Mason | DATE | 12.05.2009 |
| APPD: | Schumi | | | FINISH | Jamy | | Sheet No. | 2 from 3 | |



Soldering Profile Curve

Classification Reflow Profile (JEDEC J-STD-020C)



Mini-DIN Connector

Part No.: **T20H011**

| | | | | | | | | | |
|-------|--------|------|--------|--------|--------|-----------|-----------|------|------------|
| DRW: | Jason | CHKD | Wilson | MATL: | Wilson | TOLERANCE | Mason | DATE | 12.05.2009 |
| APPD: | Schumi | | | FINISH | Jamy | | Sheet No. | | 3 from 3 |

Customer: