

# EDCON-COMPONENTS



## Technical Specifications:

|                        |   |
|------------------------|---|
| Temperature Range:     | DC 30V 0,5A   |
| Rated Load:            | 3~20n   |
| Contact Resistance:    | 0,5KG ~ 3,5KG   |
| Insulation Resistance: |   |
| Withstanding Voltage:  | 500 VOLTS   |
| Actuating Force:       |   |
| Lifetime:              | 5000 cycles   |
| TEMPERATURE:           | FROM -30°C TO +70°C   |
| RELATIVE HUMIDITY:     | FROM 40% TO 85%   |
| HUMIDITY TEST:         | HUMIDITY 90% TO 95% TEMPERATURE 40°C +/- 2°C F. 96 HRS                                  |
| HEAT TEST:             | TEMPERATURE 70°C +/- 2°C V (HUMIDITY BELOW 50% F. 96HRS                                 |
| COLD TEST:             | . +/-2°C FOR 96 HOURS   |
| SOLDERABILITY TEST:    | THE TERMINATION IS AT LEAST 96% COVERD BY A CONTINUOUS NEW SOLDER COATING               |
| TEST CONDITIONS:       | DIP SOLDER FOR 5 SEC AT 245°C +/- 5°C TERMINATION SHAL BE IMMERSIED IN FLUX BEFORE TEST |
| REFLOW SOLDERING:      | LEAD FREE PROCESS   |
|                        |   |
| MATERIAL:              |   |
| F= GROUNDING SPRING    | STAINLESS 0,1T  |
| E= SHIELDING:          | BRASS STRIP 0,3T NI 60μ   |
| D= PIN                 | BRASS BAR NI 60μ  |
| C=TERMINAL             | BRASS STRIP 0,3T AG 20μ OVER NI 20μ   |
| B= TIP SPRING          | COPPER ALLOY 0,3T AG20μ OVER NI 20μ   |
| A= BODY                | HIGH TEMPERATURE THERMOPLASTIC UL 94V-0 BLACK   |

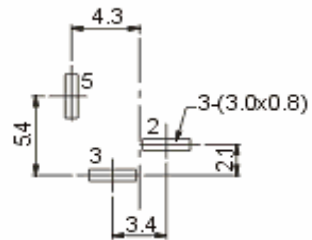
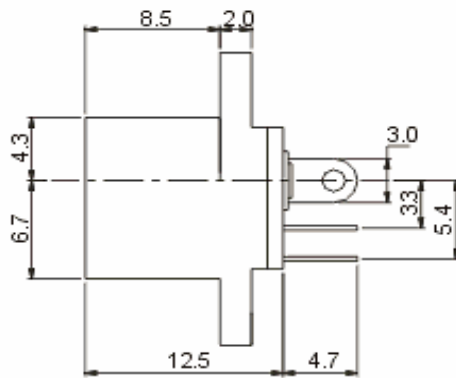
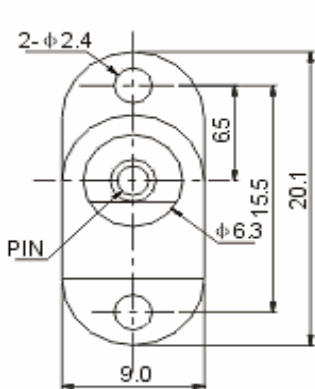
|                   |                |
|-------------------|----------------|
| THT DC-POWER JACK |                |
| Part No.:         | <b>T19B047</b> |
| Customer:         |                |

|       |        |      |        |        |        |       |            |
|-------|--------|------|--------|--------|--------|-------|------------|
| DRW:  | Jason  | CHKD | Wilson | MATL:  | Wilson | DATE  | 06.05.2007 |
| APPD: | Schumi |      |        | FINISH | Jamy   | Sheet | 1 from 3   |

# EDCON-COMPONENTS



## Technical Drawing:



|       |      |      |
|-------|------|------|
| PIN   | φ2.0 | φ2.5 |
| APP D |      |      |



|                   |                |
|-------------------|----------------|
| THT DC-POWER JACK |                |
| Part No.:         | <b>T19B047</b> |
| Customer:         |                |

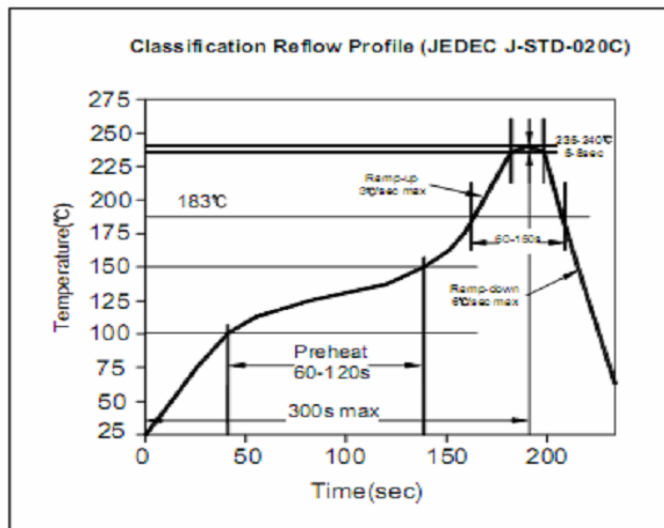
|       |        |      |        |        |        |       |            |
|-------|--------|------|--------|--------|--------|-------|------------|
| DRW:  | Jason  | CHKD | Wilson | MATL:  | Wilson | DATE  | 06.05.2007 |
| APPD: | Schumi |      |        | FINISH | Jamy   | Sheet | 2 from 3   |

# EDCON-COMPONENTS

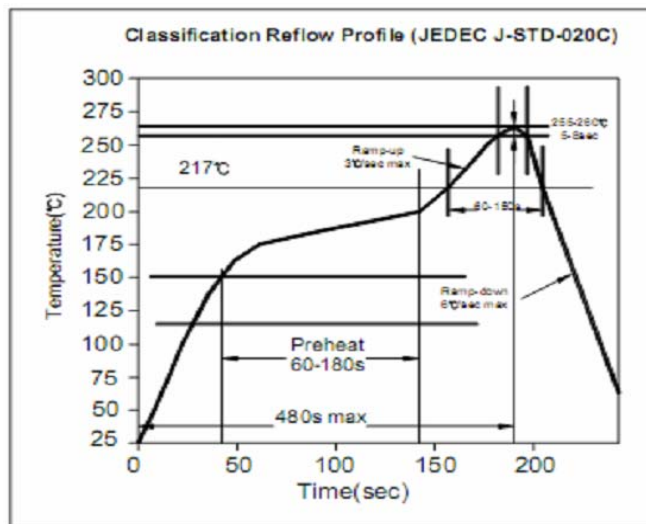


## Solder Profile

### Lead Solder



### Lead Free Solder



## Ordering Informations:

|          |              |      |         |  |  |  |
|----------|--------------|------|---------|--|--|--|
| Item-No. | Pin Diameter | ROHS | Packing |  |  |  |
|----------|--------------|------|---------|--|--|--|

|                |          |          |           |  |  |  |
|----------------|----------|----------|-----------|--|--|--|
| <b>T19B047</b> | <b>A</b> | <b>R</b> | <b>BU</b> |  |  |  |
|----------------|----------|----------|-----------|--|--|--|

|                 |                    |                            |
|-----------------|--------------------|----------------------------|
| <b>A= 2,0mm</b> | <b>R= ROHS</b>     | <b>BU= Bulk (Standard)</b> |
| <b>B= 2,5mm</b> | <b>N= Non ROHS</b> |                            |
|                 |                    | <b>TR= Tape/Reel</b>       |
|                 |                    | <b>TR= Tray Packing</b>    |

|                   |                |
|-------------------|----------------|
| THT DC-POWER JACK |                |
| Part No.:         | <b>T19B047</b> |
| Customer:         |                |

|       |        |      |        |        |        |       |            |
|-------|--------|------|--------|--------|--------|-------|------------|
| DRW:  | Jason  | CHKD | Wilson | MATL:  | Wilson |       | 06.05.2007 |
| APPD: | Schumi |      |        | FINISH | Jamy   | Sheet | 3 from 3   |