

EDCON-COMPONENTS



Technical Specifications:

| | |
|------------------------|---|
| Temperature Range: | DC 30V 0,5A |
| Rated Load: | 3~20n |
| Contact Resistance: | 0,5KG ~ 3,5KG |
| Insulation Resistance: | |
| Withstanding Voltage: | 500 VOLTS |
| Actuating Force: | |
| Lifetime: | 5000 cycles |
| TEMPERATURE: | FROM -30°C TO +70°C |
| RELATIVE HUMIDITY: | FROM 40% TO 85% |
| HUMIDITY TEST: | HUMIDITY 90% TO 95% TEMPERATURE 40°C +/- 2°C F. 96 HRS |
| HEAT TEST: | TEMPERATURE 70°C +/- 2°C (HUMIDITY BELOW 50% F. 96HRS |
| COLD TEST: | . +/-2°C FOR 96 HOURS |
| SOLDERABILITY TEST: | THE TERMINATION IS AT LEAST 96% COVERD BY A CONTINUOUS NEW SOLDER COATING |
| TEST CONDITIONS: | DIP SOLDER FOR 5 SEC AT 245°C +/- 5°C TERMINATION SHAL BE IMMERSIED IN FLUX BEFORE TEST |
| REFLOW SOLDERING: | LEAD FREE PROCESS |
| | |
| MATERIAL: | STAINLESS 0,1T |
| F= GROUNDING SPRING | BRASS STRIP 0,3T NI 60μ |
| E= SHIELDING: | BRASS BAR NI 60μ |
| D= PIN | BRASS STRIP 0,3T AG 20μ OVER NI 20μ |
| C=TERMINAL | COPPER ALLOY 0,3T AG20μ OVER NI 20μ |
| B= TIP SPRING | HIGH TEMPERATURE THERMOPLASTIC UL 94V-0 BLACK |
| A= BODY | |

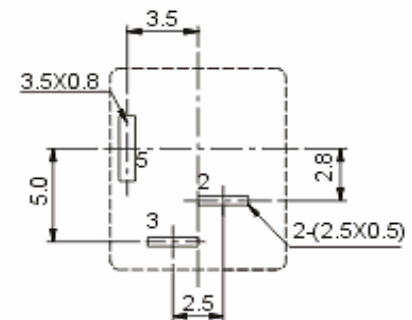
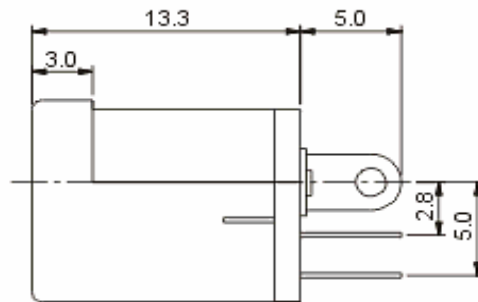
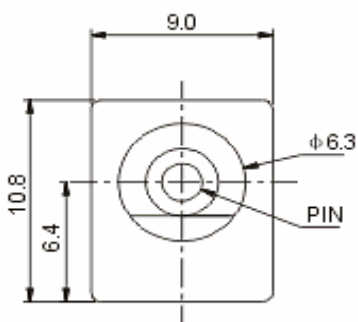
| | |
|-------------------|----------------|
| THT DC-POWER JACK | |
| Part No.: | T19B031 |
| Customer: | |

| | | | | | | | |
|-------|--------|------|--------|--------|--------|-------|------------|
| DRW: | Jason | CHKD | Wilson | MATL: | Wilson | DATE | 06.05.2007 |
| APPD: | Schumi | | | FINISH | Jamy | Sheet | 1 from 3 |

EDCON-COMPONENTS



Technical Drawing:



| | | | | |
|------|-------|------|-------|------|
| PIN | ±1.65 | ±2.0 | ±2.35 | ±2.5 |
| APPD | | | | |



| | |
|-------------------|----------------|
| THT DC-POWER JACK | |
| Part No.: | T19B031 |
| Customer: | |

| | | | | | | | |
|-------|--------|------|--------|--------|--------|-------|------------|
| DRW: | Jason | CHKD | Wilson | MATL: | Wilson | DATE | 06.05.2007 |
| APPD: | Schumi | | | FINISH | Jamy | Sheet | 2 from 3 |

EDCON-COMPONENTS



Solder Profile

Lead Solder



Lead Free Solder



Ordering Informations:

| | | | | | | |
|----------------|--------------|----------|-----------|--|--|--|
| Item-No. | Pin Diameter | ROHS | Packing | | | |
| T19B031 | A | R | BU | | | |

| | | |
|------------------|--------------------|----------------------------|
| A= 1,65mm | R= ROHS | BU= Bulk (Standard) |
| B= 2,0mm | N= Non ROHS | |
| C= 2,35mm | | TR= Tape/Reel |
| D= 2,5mm | | TR= Tray Packing |
| | | |

| | |
|-------------------|----------------|
| THT DC-POWER JACK | |
| Part No.: | T19B031 |
| Customer: | |

| | | | | | | | |
|-------|--------|------|--------|--------|--------|-------|------------|
| DRW: | Jason | CHKD | Wilson | MATL: | Wilson | | 06.05.2007 |
| APPD: | Schumi | | | FINISH | Jamy | Sheet | 3 from 3 |