

# EDCON-COMPONENTS



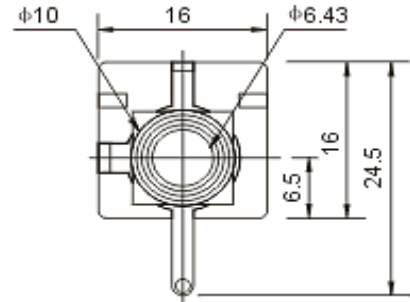
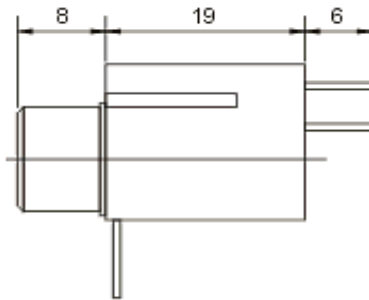
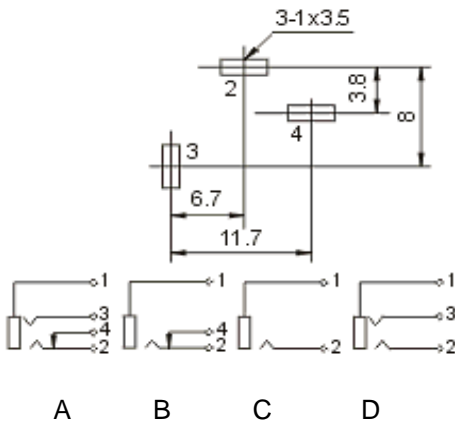
## T13P002

### Technical Specifications:

Operating Temperature:	
Rated Load:	
Contact Resistance:	
Insulation Resistance:	
Withstanding Voltage:	
Actuating Force:	
Lifetime:	

. -20°C ~ + 70°C
DC50V / 1,0A
< 0,03 Ohm
> 100M Ohm
AC 500V (50Hz) 1min.
5 ~ 35N
10000 cycles

### Technical Drawing:



6,3mm THT Audio jack	
Part No.:	<b>T13P002</b>
Customer:	

DRW:	Jason	CHKD	Wilson	MATL:	Wilson	DATE	06.05.2007
APPD:	Schumi			FINISH	Jamy	Sheet	1 from 2

Copyright by EDCON-COMPONENTS H.Schmitt 11.6.2009

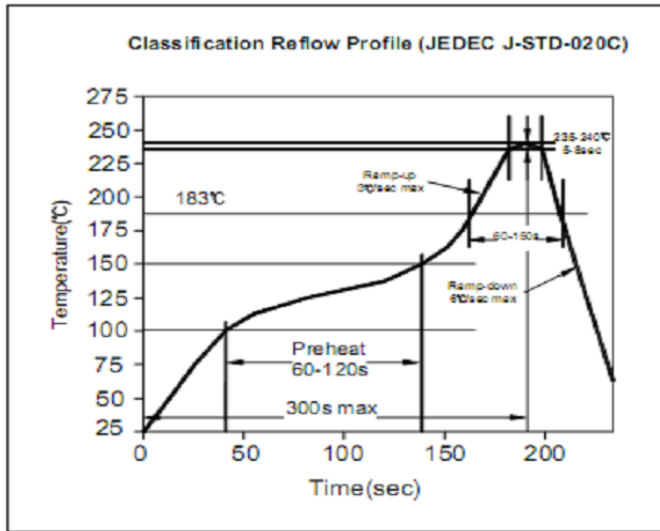
# EDCON-COMPONENTS



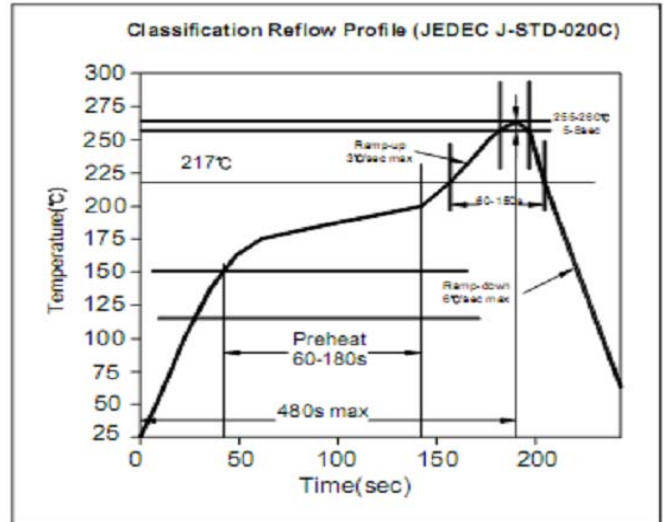
## Reel Specifications

## Solder Profile

### Lead Solder



### Lead free Solder



## Ordering Informations:

Item-No.	Circuit	ROHS	Packing			
T13P002	A	R	BU			

A	R= ROHS	<b>BU= Bulk</b> (Standard) <b>TR=</b> Tape/Reel <b>TR= Tray</b> Packing
B	N= Non	
C	ROHS	
D		

6,3mm THT Audio jack	
Part No.:	<b>T13P002</b>
Customer:	

DRW:	Jason	CHKD	Wilson	MATL:	Wilson	DATE	06.05.2007
APPD:	Schumi			FINISH	Jamy	Sheet	2 from 2

Copyright by EDCON-COMPONENTS H.Schmitt 11.6.2009