

EDCON-COMPONENTS



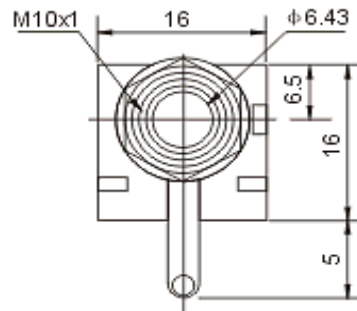
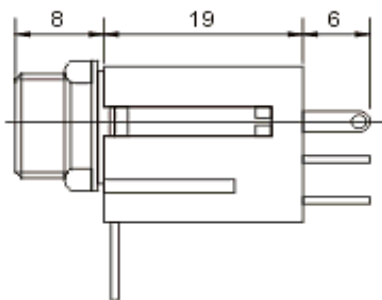
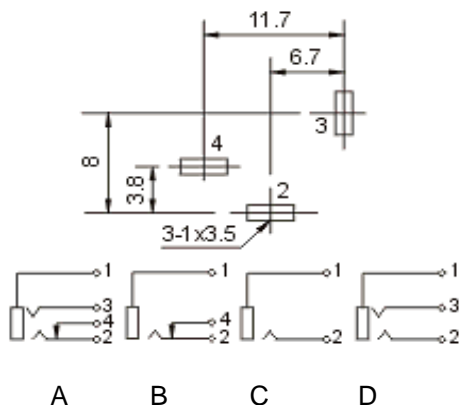
T13P001

Technical Specifications:

Operating Temperature:	
Rated Load:	
Contact Resistance:	
Insulation Resistance:	
Withstanding Voltage:	
Actuating Force:	
Lifetime:	

. -20°C ~ + 70°C
DC50V / 1,0A
< 0,03 Ohm
> 100M Ohm
AC 500V (50Hz) 1min.
5 ~ 35N
10000 cycles

Technical Drawing:



6,3mm THT Audio jack	
Part No.:	T13P001
Customer:	

DRW:	Jason	CHKD	Wilson	MATL:	Wilson	DATE	06.05.2007
APPD:	Schumi			FINISH	Jamy	Sheet	1 from 2

Copyright by EDCON-COMPONENTS H.Schmitt 11.6.2009

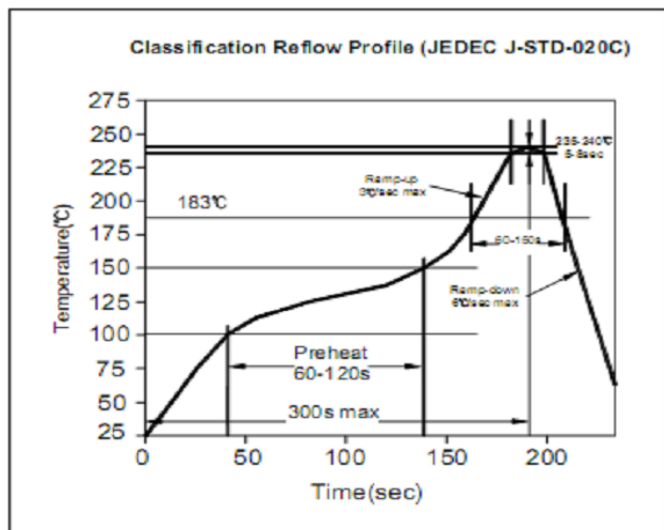
EDCON-COMPONENTS



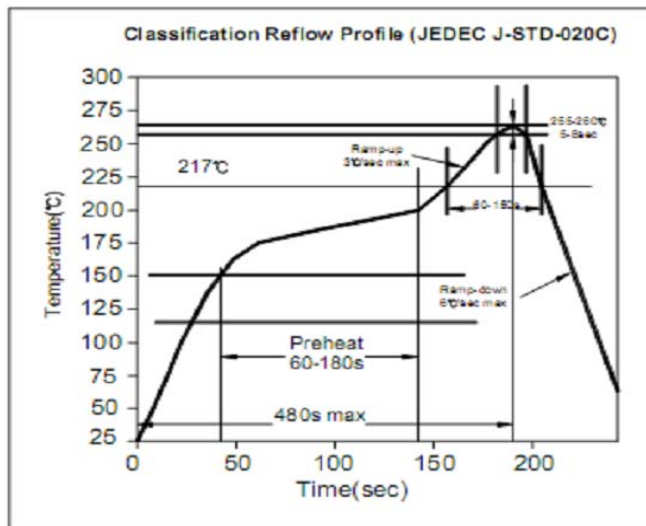
Reel Specifications

Solder Profile

Lead Solder



Lead free Solder



Ordering Informations:

Item-No.	Circuit	ROHS	Packing			
T13P001	A	R	BU			

A	R= ROHS	BU= Bulk (Standard) TR= Tape/Reel TR= Tray Packing
B	N= Non	
C	ROHS	
D		

6,3mm THT Audio jack	
Part No.:	T13P001
Customer:	

DRW:	Jason	CHKD	Wilson	MATL:	Wilson	DATE	06.05.2007
APPD:	Schumi			FINISH	Jamy	Sheet	2 from 2

Copyright by EDCON-COMPONENTS H.Schmitt 11.6.2009