

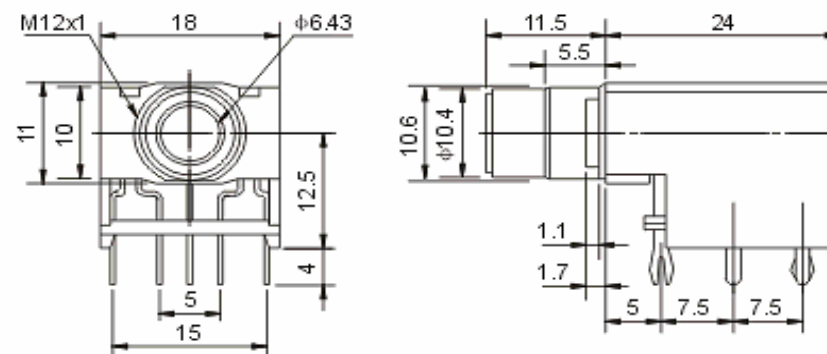
# EDCON-COMPONENTS



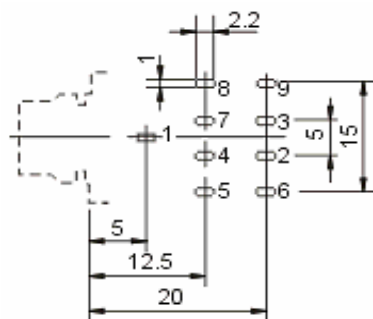
## Technical Discription

Temperature Range:	. -20°C ~ + 70°C
Rated Load:	DC 50V/1A
Contact Resistance:	≤ 0,03 Ω
Insulation Resistance:	≥ 1000M Ω
Withstanding Voltage:	AC 500V (50Hz) 1 min.
Insertion & Extraction Force:	5-35N
Lifetime:	10000 cycles

## Technical Dimensions



## PCB Layout



### AUDIO 6,35mm Connector

Part No.: **T13L014**

Customer:

DRW:	Jason	CHKD	Wilson	MATL:	Wilson	TOLERANCE	Mason	DATE	10.04.2009
APPD:	Schumi			FINISH	Jamy		Sheet No.		1 from 3

# EDCON-COMPONENTS



## Circuit Code

13A	13B	13C	13D	13E	13F	13I	13J	13K	13L	13M	13N	13P	13Q	13R	13S	13T	13U	13V

## Ordering Informations

Serie	Circuit Code	ROHS	Packing							
T13L014	xx	R	BU							

<b>XX</b> = Look at Circuit Code	<b>R</b> = ROHS Conform	<b>BU</b> = BULK- WARE
	<b>N</b> = NON ROHS Conform	<b>TY</b> = TRAY Packing

<b>AUDIO 6,35mm Connector</b>	
Part No.:	<b>T13L014</b>
Customer:	

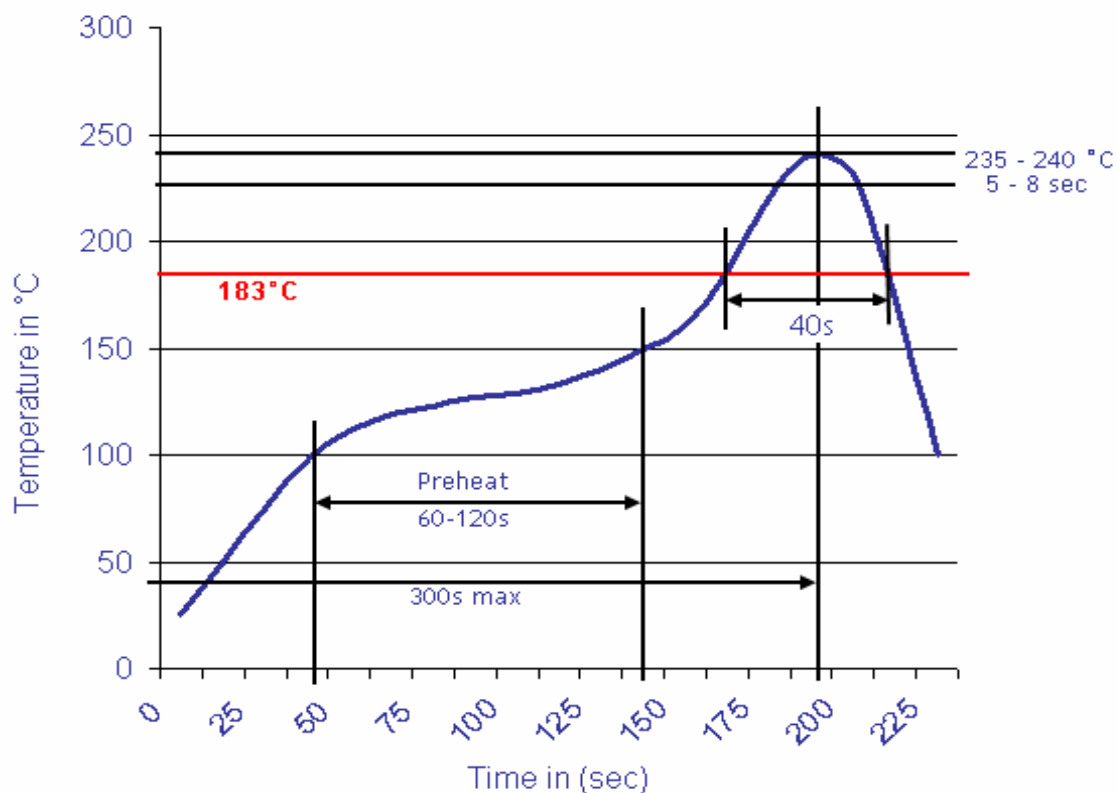
DRW:	Jason	CHKD	Wilson	MATL:	Wilson	TOLERANCE	Mason	DATE	10.04.2009
APPD:	Schumi			FINISH	Jamy		Sheet No.		2 from 3

[www.edcon-components.com](http://www.edcon-components.com)



Soldering Profile Lead Free Curve

Classification Reflow Profile (JEDEC J-STD-020C)



**AUDIO 6,35mm Connector**

Part No.: **T13L014**

DRW:	Jason	CHKD	Wilson	MATL:	Wilson	TOLERANCE	Mason	DATE	10.04.2009
APPD:	Schumi			FINISH	Jamy		Sheet No.	3 from 3	Customer: