

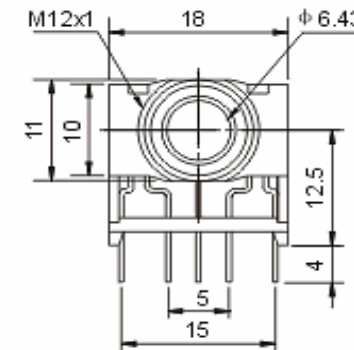
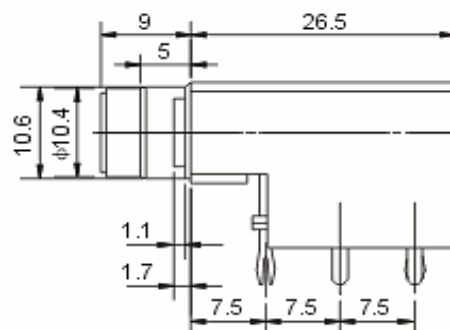
EDCON-COMPONENTS



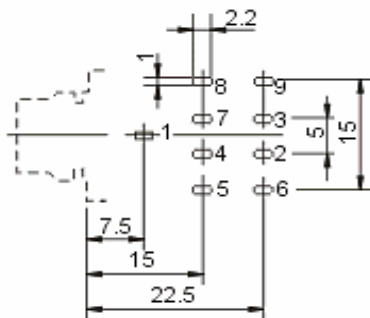
Technical Discription

Temperature Range: . -20°C ~ + 70°C
 Rated Load: DC 50V/1A
 Contact Resistance: $\leq 0,03 \Omega$
 Insulation Resistance: $\geq 1000M \Omega$
 Withstanding Voltage: AC 500V (50Hz) 1 min.
 Insertion & Extraction Force: 5-35N
 Lifetime: 10000 cycles

Technical Dimensions



PCB Layout



AUDIO 6,35mm Connector

Part No.: **T13L012**

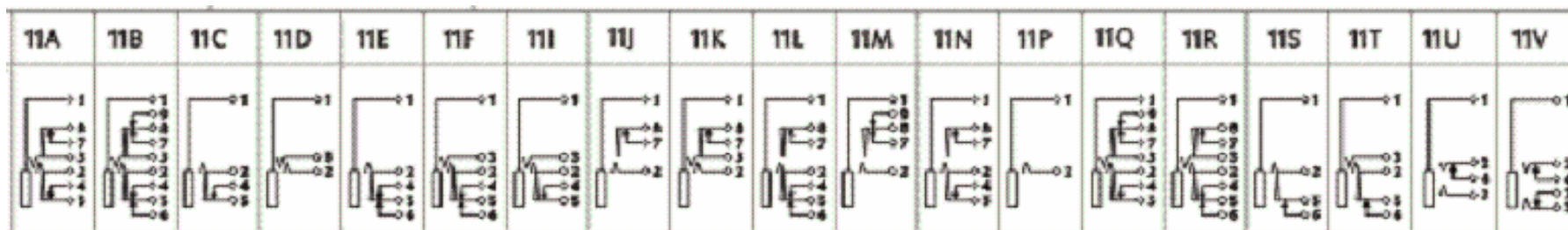
Customer:

| | | | | | | | | | |
|-------|--------|------|--------|--------|--------|-----------|-----------|----------|------------|
| DRW: | Jason | CHKD | Wilson | MATL: | Wilson | TOLERANCE | Mason | DATE | 10.04.2009 |
| APPD: | Schumi | | | FINISH | Jamy | | Sheet No. | 1 from 3 | |

EDCON-COMPONENTS



Circuit Code



Ordering Informations

| Serie | Circuit Code | ROHS | Packing | | | | | | |
|----------------|--------------|----------|-----------|--|--|--|--|--|--|
| T13L012 | xx | R | BU | | | | | | |

| | | |
|---------------------------------|----------------------------|-------------------------|
| XX= Look at Circuit Code | R= ROHS Conform | BU= BULK-WARE |
| | N= NON ROHS Conform | TY= TRAY Packing |

| |
|-------------------------------|
| AUDIO 6,35mm Connector |
| Part No.: T13L012 |
| Customer: |

| | | | | | | | | | |
|-------|--------|------|--------|--------|--------|-----------|-----------|------|------------|
| DRW: | Jason | CHKD | Wilson | MATL: | Wilson | TOLERANCE | Mason | DATE | 10.04.2009 |
| APPD: | Schumi | | | FINISH | Jamy | | Sheet No. | | 2 from 3 |

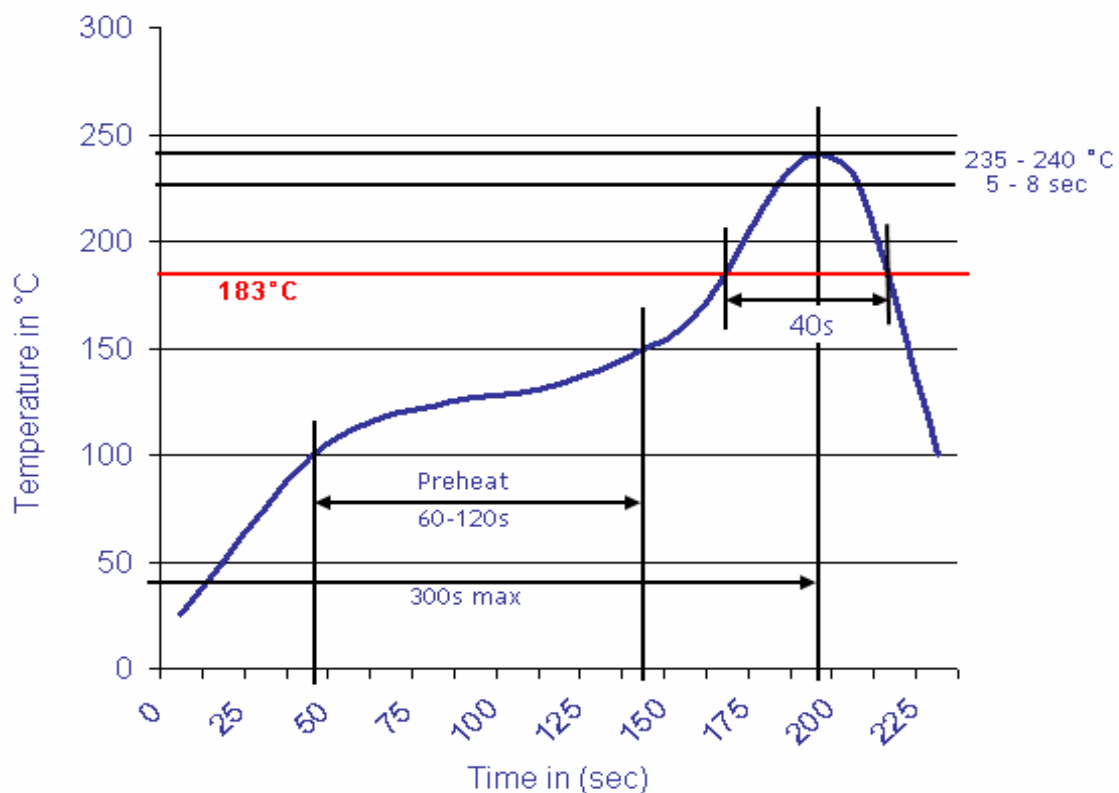
www.edcon-components.com

email: info@edcon-components.com



Soldering Profile Lead Free Curve

Classification Reflow Profile (JEDEC J-STD-020C)



AUDIO 6,35mm Connector

Part No.: **T13L012**

| | | | | | | | | | |
|-------|--------|------|--------|--------|--------|-----------|-----------|----------|------------|
| DRW: | Jason | CHKD | Wilson | MATL: | Wilson | TOLERANCE | Mason | DATE | 10.04.2009 |
| APPD: | Schumi | | | FINISH | Jamy | | Sheet No. | 3 from 3 | |

Customer: