

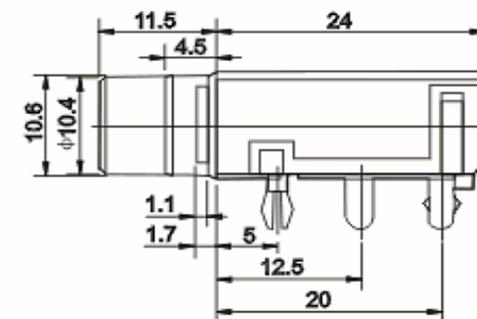
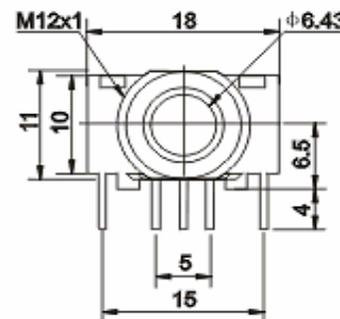
# EDCON-COMPONENTS



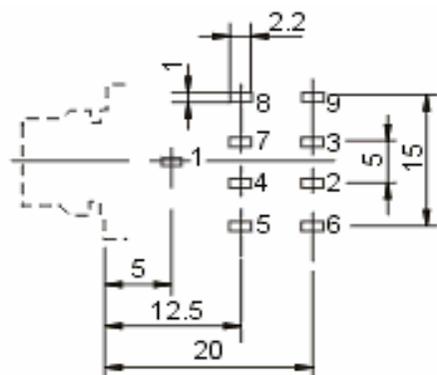
## Technical Discription

|                               |                       |
|-------------------------------|-----------------------|
| Temperature Range:            | -20°C ~ + 70°C        |
| Rated Load:                   | DC 50V/1A             |
| Contact Resistance:           | ≤ 0,03 Ω              |
| Insulation Resistance:        | ≥ 1000M Ω             |
| Withstanding Voltage:         | AC 500V (50Hz) 1 min. |
| Insertion & Extraction Force: | 5-35N                 |
| Lifetime:                     | 10000 cycles          |

## Technical Dimensions



## PCB Layout



### AUDIO 6,35mm Connector

Part No.: **T13L004**

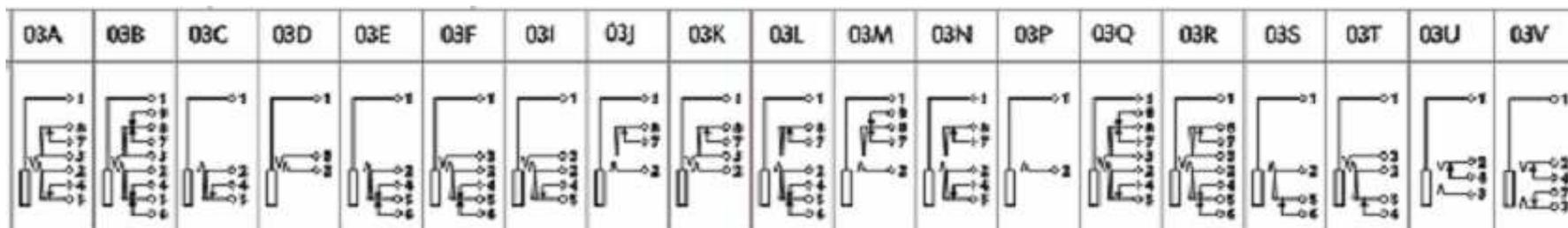
Customer:

|       |        |      |        |        |        |           |           |      |            |
|-------|--------|------|--------|--------|--------|-----------|-----------|------|------------|
| DRW:  | Jason  | CHKD | Wilson | MATL:  | Wilson | TOLERANCE | Mason     | DATE | 10.04.2009 |
| APPD: | Schumi |      |        | FINISH | Jamy   |           | Sheet No. |      | 1 from 3   |

# EDCON-COMPONENTS



## Circuit Code



## Ordering Informations

| Serie          | Circuit Code | ROHS     | Packing   |  |  |  |  |  |  |  |
|----------------|--------------|----------|-----------|--|--|--|--|--|--|--|
| <b>T13L004</b> | <b>xx</b>    | <b>R</b> | <b>BU</b> |  |  |  |  |  |  |  |

|                                    |                                  |                            |
|------------------------------------|----------------------------------|----------------------------|
| <b>XX=</b> Look at<br>Circuit Code | <b>R=</b> ROHS<br>Conform        | <b>BU=</b> BULK-<br>WARE   |
|                                    | <b>N=</b> NON<br>ROHS<br>Conform | <b>TY=</b> TRAY<br>Packing |

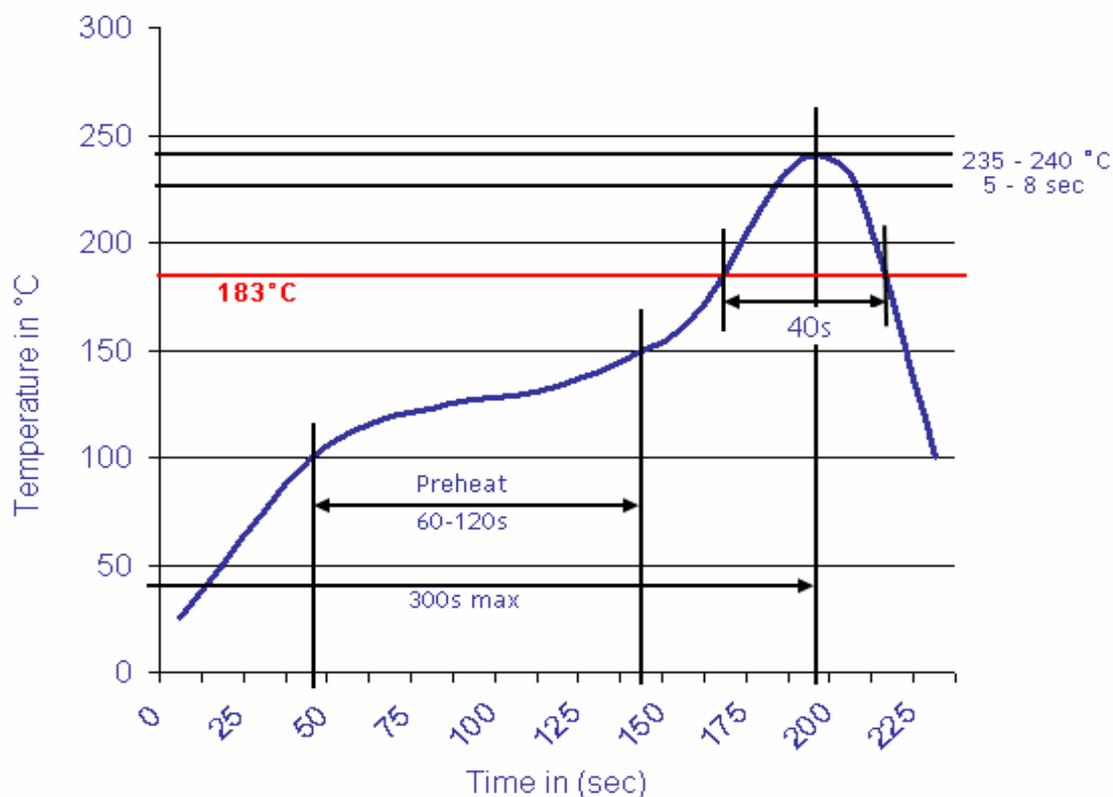
|                               |                |
|-------------------------------|----------------|
| <b>AUDIO 6,35mm Connector</b> |                |
| Part No.:                     | <b>T13L004</b> |
| Customer:                     |                |

|       |        |      |        |        |        |           |           |      |            |
|-------|--------|------|--------|--------|--------|-----------|-----------|------|------------|
| DRW:  | Jason  | CHKD | Wilson | MATL:  | Wilson | TOLERANCE | Mason     | DATE | 10.04.2009 |
| APPD: | Schumi |      |        | FINISH | Jamy   |           | Sheet No. |      | 2 from 3   |



Soldering Profile Lead Free Curve

Classification Reflow Profile (JEDEC J-STD-020C)



**AUDIO 6,35mm Connector**

Part No.: **T13L004**

|       |        |      |        |        |        |           |           |          |            |
|-------|--------|------|--------|--------|--------|-----------|-----------|----------|------------|
| DRW:  | Jason  | CHKD | Wilson | MATL:  | Wilson | TOLERANCE | Mason     | DATE     | 10.04.2009 |
| APPD: | Schumi |      |        | FINISH | Jamy   |           | Sheet No. | 3 from 3 |            |

Customer: