

# EDCON-COMPONENTS



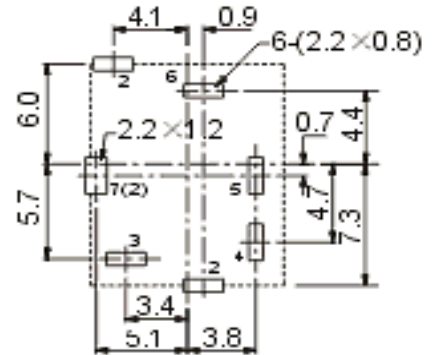
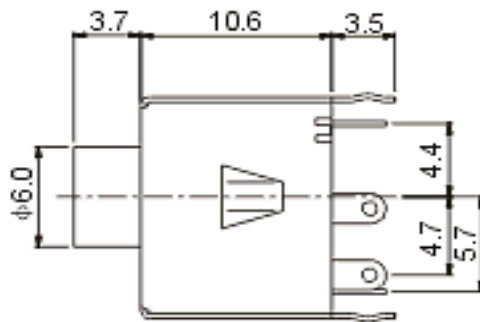
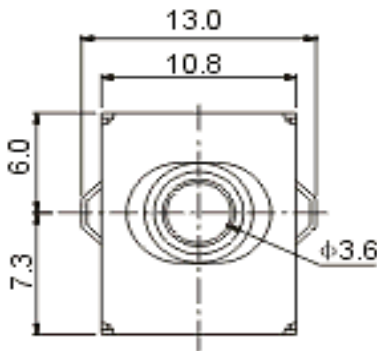
## T13G140

### Technical Specifications:

|                        |  |
|------------------------|--|
| Operating Temperature: |  |
| Rated Load:            |  |
| Contact Resistance:    |  |
| Insulation Resistance: |  |
| Withstanding Voltage:  |  |
| Actuating Force:       |  |
| Lifetime:              |  |
|                        |  |
|                        |  |

|                      |
|----------------------|
| . -30°C ~ + 70°C     |
| DC 30V / 0,5A        |
| < 0,03 Ohm           |
| > 100M Ohm           |
| AC 500V (50Hz) 1min. |
| 3 ~ 20N              |
| 5000 cycles          |
|                      |
|                      |

### Technical Drawing:



|             |               |               |
|-------------|---------------|---------------|
| CK-3.5-05+  | CK-3.5-05+1   | CK-3.5-05+2   |
| CK-3.5-05+A | CK-3.5-05+A-1 | CK-3.5-05+A-2 |
|             |               |               |

|                      |                |
|----------------------|----------------|
| 3,5mm THT Audio jack |                |
| Part No.:            | <b>T13G140</b> |
| Customer:            |                |

|       |        |      |        |        |        |       |            |
|-------|--------|------|--------|--------|--------|-------|------------|
| DRW:  | Jason  | CHKD | Wilson | MATL:  | Wilson | DATE  | 06.05.2007 |
| APPD: | Schumi |      |        | FINISH | Jamy   | Sheet | 1 from 2   |

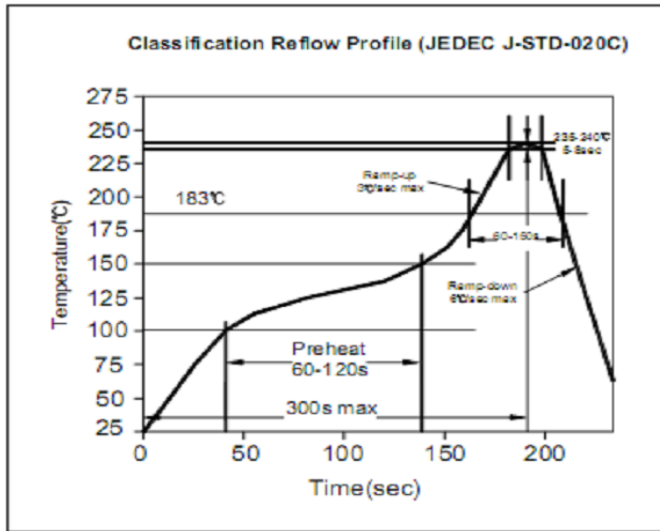
Copyright by EDCON-COMPONENTS H.Schmitt 11.6.2009

# EDCON-COMPONENTS

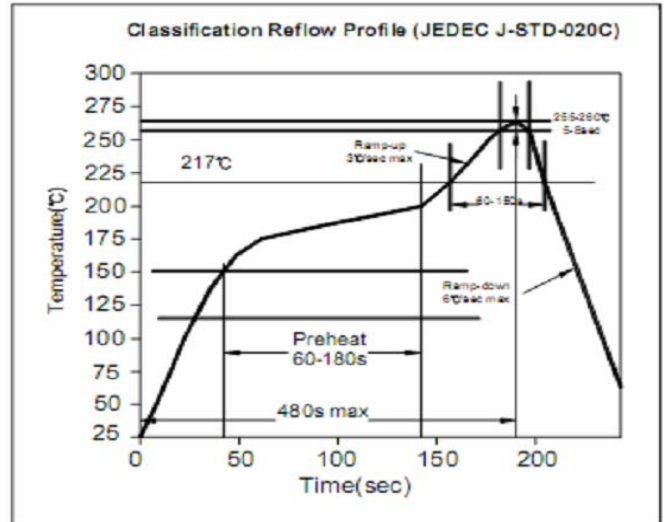


## Solder Profile

### Lead Solder



### Lead free Solder



## Ordering Informations:

|                |          |          |           |  |  |  |
|----------------|----------|----------|-----------|--|--|--|
| Item-No.       | Circuit  | ROHS     | Packing   |  |  |  |
| <b>T13G140</b> | <b>A</b> | <b>R</b> | <b>BU</b> |  |  |  |

|          |                |   |
|----------|----------------|---|
| <b>A</b> | <b>R= ROHS</b> | <b>BU= Bulk (Standard)</b><br><b>TY= Tray Packing</b> |
| <b>B</b> | <b>N= Non</b>  |   |
| <b>C</b> | <b>ROHS</b>    |   |
|          |                |   |
|          |                |   |
|          |                |   |
|          |                |   |

|                      |                |
|----------------------|----------------|
| 3,5mm THT Audio jack |                |
| Part No.:            | <b>T13G140</b> |
| Customer:            |                |

|       |        |      |        |        |        |       |            |
|-------|--------|------|--------|--------|--------|-------|------------|
| DRW:  | Jason  | CHKD | Wilson | MATL:  | Wilson | DATE  | 06.05.2007 |
| APPD: | Schumi |      |        | FINISH | Jamy   | Sheet | 2 from 2   |

Copyright by EDCON-COMPONENTS H.Schmitt 11.6.2009