

# EDCON-COMPONENTS



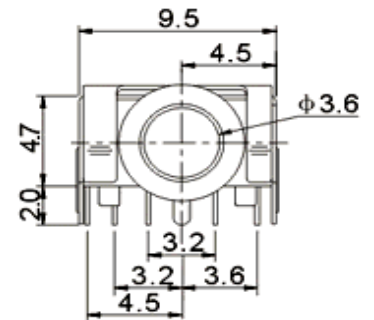
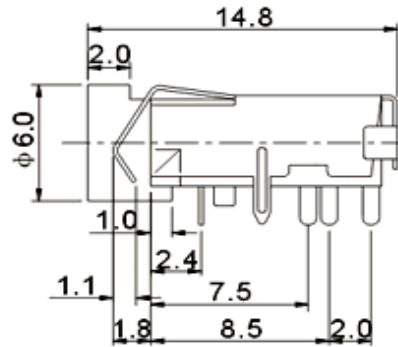
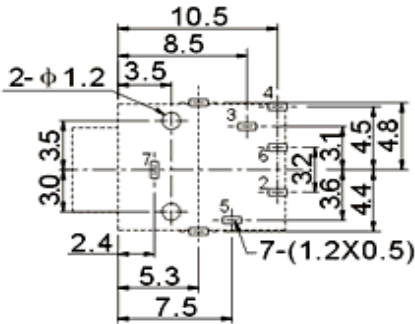
## T13G127

### Technical Specifications:

Operating Temperature:	-30°C ~ + 70°C
Rated Load:	DC 30V / 0,5A
Contact Resistance:	< 0,03 Ohm
Insulation Resistance:	> 100M Ohm
Withstanding Voltage:	AC 500V (50Hz) 1min.
Actuating Force:	3 ~ 20N
Lifetime:	5000 cycles

Operating Temperature:	-30°C ~ + 70°C
Rated Load:	DC 30V / 0,5A
Contact Resistance:	< 0,03 Ohm
Insulation Resistance:	> 100M Ohm
Withstanding Voltage:	AC 500V (50Hz) 1min.
Actuating Force:	3 ~ 20N
Lifetime:	5000 cycles

### Technical Drawing:



CK-3.5-043F	CK-3.5-043F-2	CK-3.5-043F-3
CK-3.5-043F-4	CK-3.5-053F	CK-3.5-053F-2

3,5mm THT Audio jack	
Part No.:	<b>T13G127</b>
Customer:	

DRW:	Jason	CHKD	Wilson	MATL:	Wilson	DATE	06.05.2007
APPD:	Schumi			FINISH	Jamy	Sheet	1 from 2

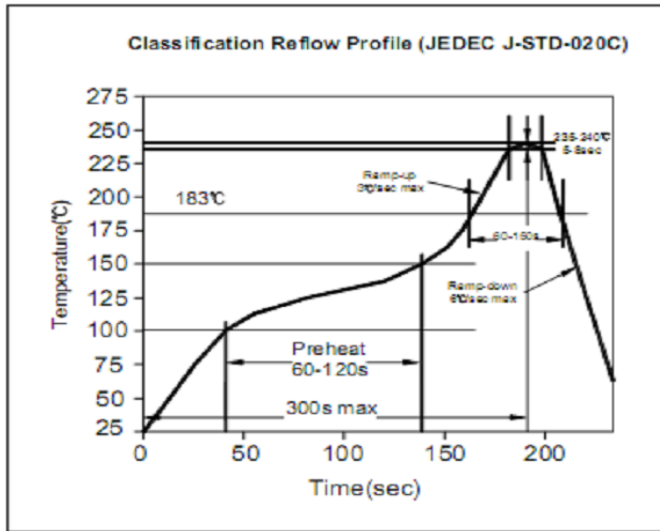
Copyright by EDCON-COMPONENTS H.Schmitt 11.6.2009

# EDCON-COMPONENTS

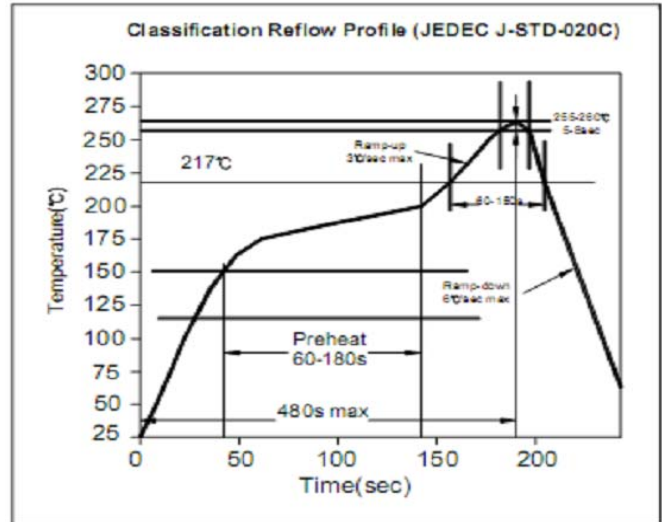


## Solder Profile

### Lead Solder



### Lead free Solder



## Ordering Informations:

Item-No.	Circuit	ROHS	Packing			
T13G127	A	R	BU			

A	R= ROHS	BU= Bulk (Standard)
B	N= Non ROHS	
C		TY= Tray Packing
D		
E		
F		

3,5mm THT Audio jack	
Part No.:	<b>T13G127</b>
Customer:	

DRW:	Jason	CHKD	Wilson	MATL:	Wilson	DATE	06.05.2007
APPD:	Schumi			FINISH	Jamy	Sheet	2 from 2

Copyright by EDCON-COMPONENTS H.Schmitt 11.6.2009