

EDCON-COMPONENTS



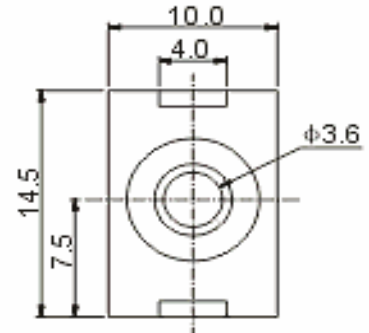
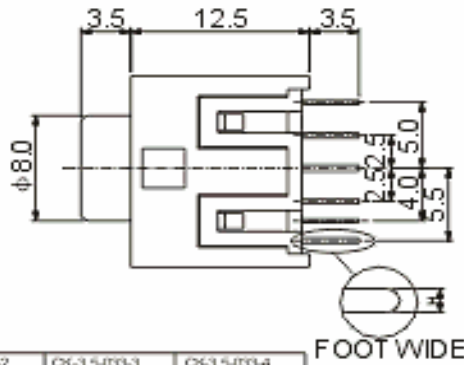
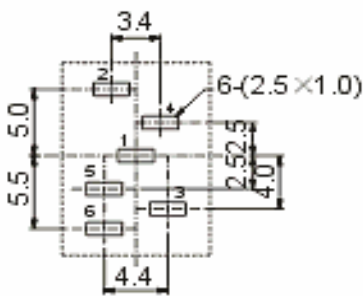
T13G109

Technical Specifications:

Operating Temperature:	
Rated Load:	
Contact Resistance:	
Insulation Resistance:	
Withstanding Voltage:	
Actuating Force:	
Lifetime:	

. -30°C ~ + 70°C
DC 30V / 0,5A
< 0,03 Ohm
> 100M Ohm
AC 500V (50Hz) 1min.
3 ~ 20N
5000 cycles

Technical Drawing:



H=1.8mm	CK-3 5-033	CK-35-033-1	CK-3 50-033-2	CK-3 5-033-3	CK-3 5-033-4
	CK-3 5-033M	CK-35-033M-1	CK-3 50-033M-2	CK-3 5-033M-3	CK-3 5-033M-4
H=1.2mm	CK-3 5-033A	CK-35-033A-1	CK-3 50-033A-2	CK-3 5-033A-3	CK-3 5-033A-4
	CK-3 5-033AM	CK-3 50-033AM-1	CK-3 5-033AM-2	CK-3 5-033AM-3	CK-3 5-033AM-4

3,5mm THT Audio jack	
Part No.:	T13G109
Customer:	

DRW:	Jason	CHKD	Wilson	MATL:	Wilson	DATE	06.05.2007
APPD:	Schumi			FINISH	Jamy	Sheet	1 from 2

Copyright by EDCON-COMPONENTS H.Schmitt 11.6.2009

EDCON-COMPONENTS

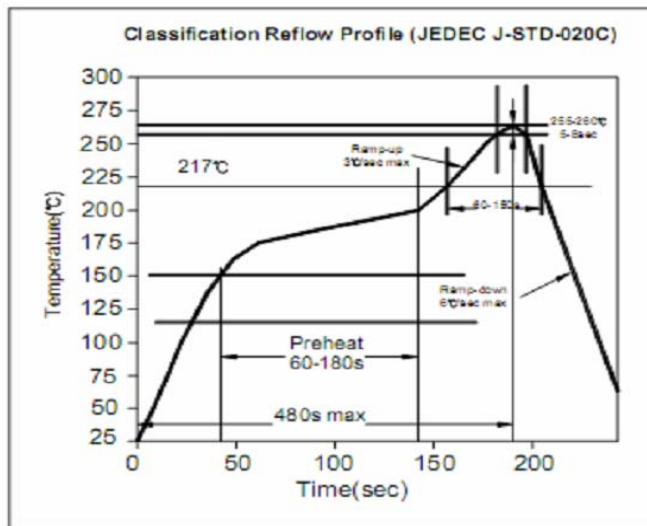


Solder Profile

Lead Solder



Lead free Solder



Ordering Informations:

Item-No.	Circuit	ROHS	Packing			
T13G109	A	R	BU			

A	R= ROHS	BU= Bulk (Standard)
B	N= Non ROHS	
C		TY= Tray Packing
D		
E		

3,5mm THT Audio jack	
Part No.:	T13G109
Customer:	

DRW:	Jason	CHKD	Wilson	MATL:	Wilson	DATE	06.05.2007
APPD:	Schumi			FINISH	Jamy	Sheet	2 from 2

Copyright by EDCON-COMPONENTS H.Schmitt 11.6.2009